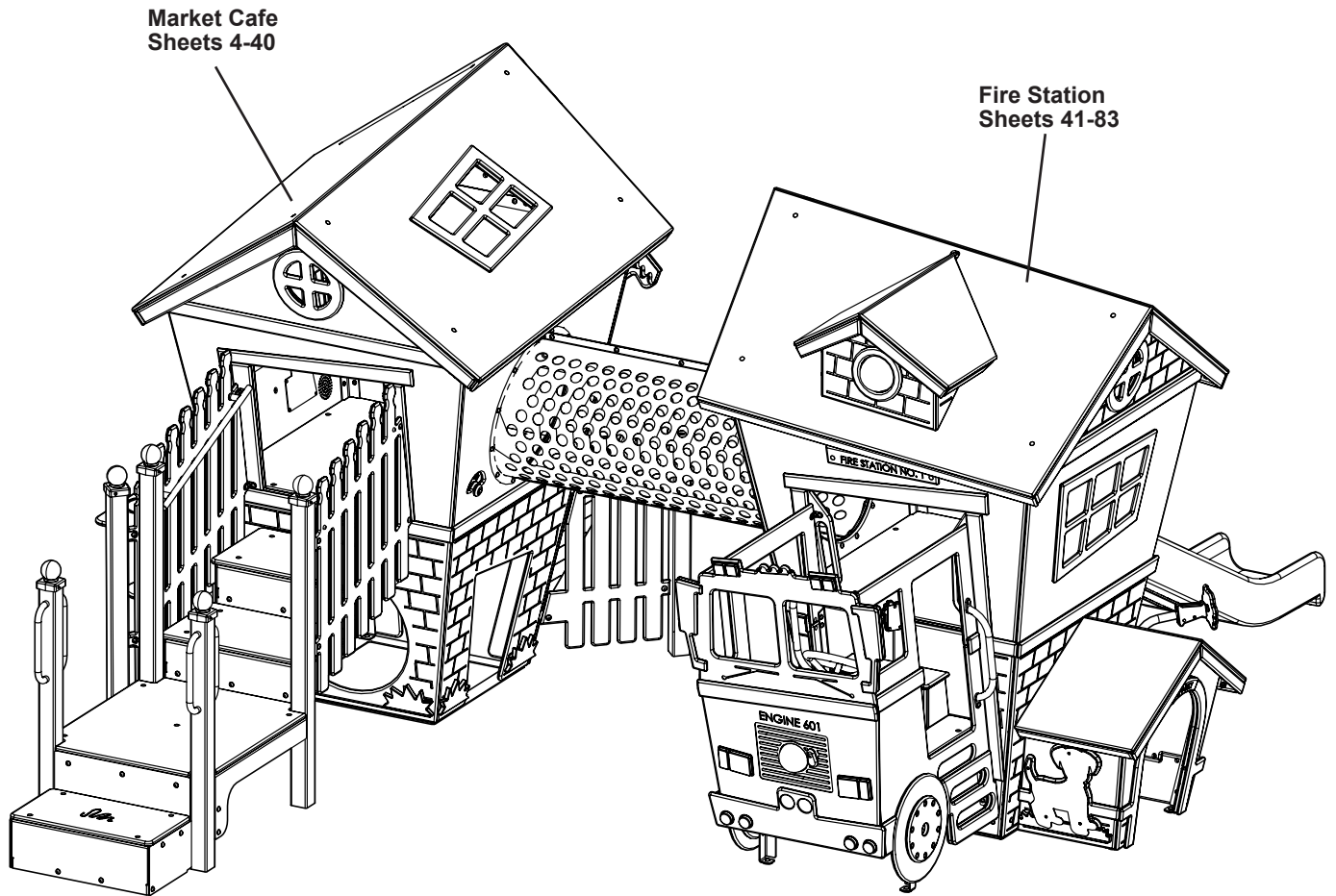
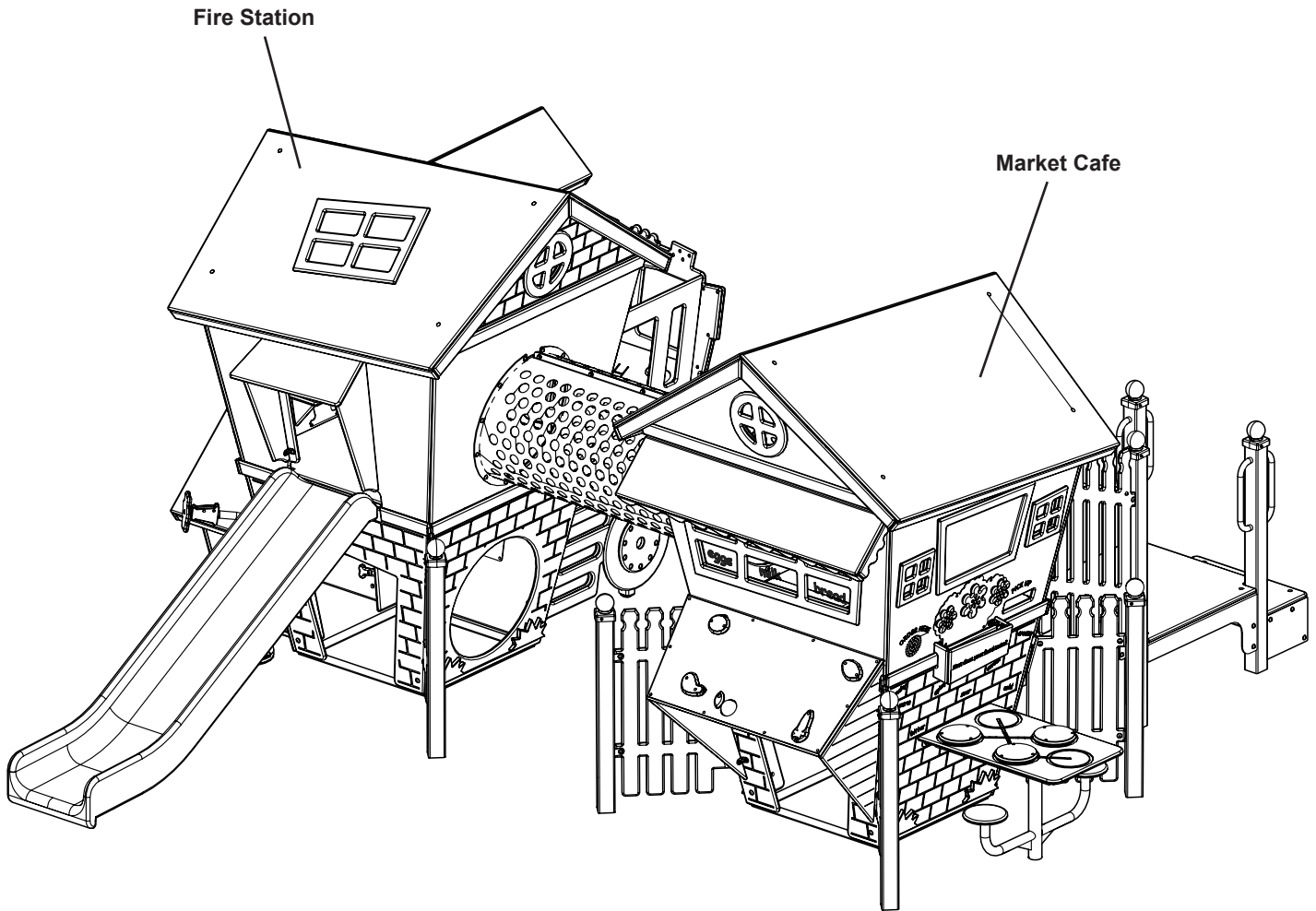


Height of Both buildings.  
 96" (2438mm)

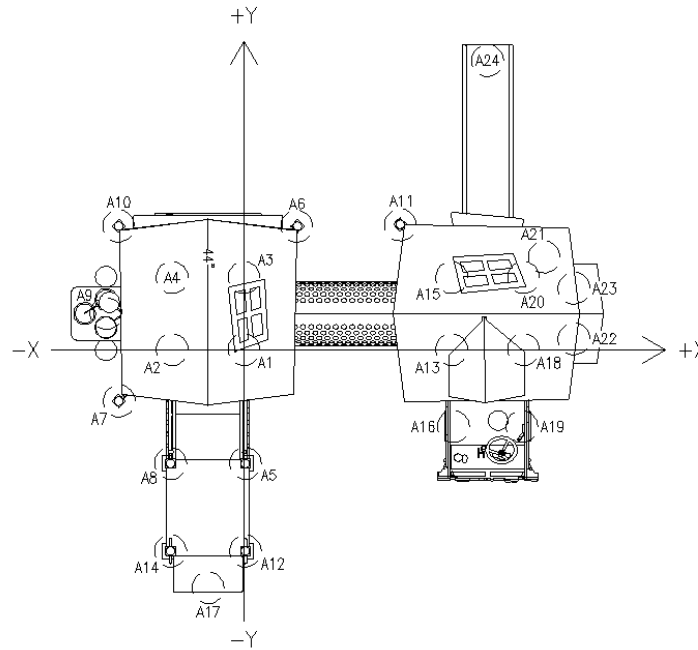




# PLAN VIEW FOOTING LAYOUT



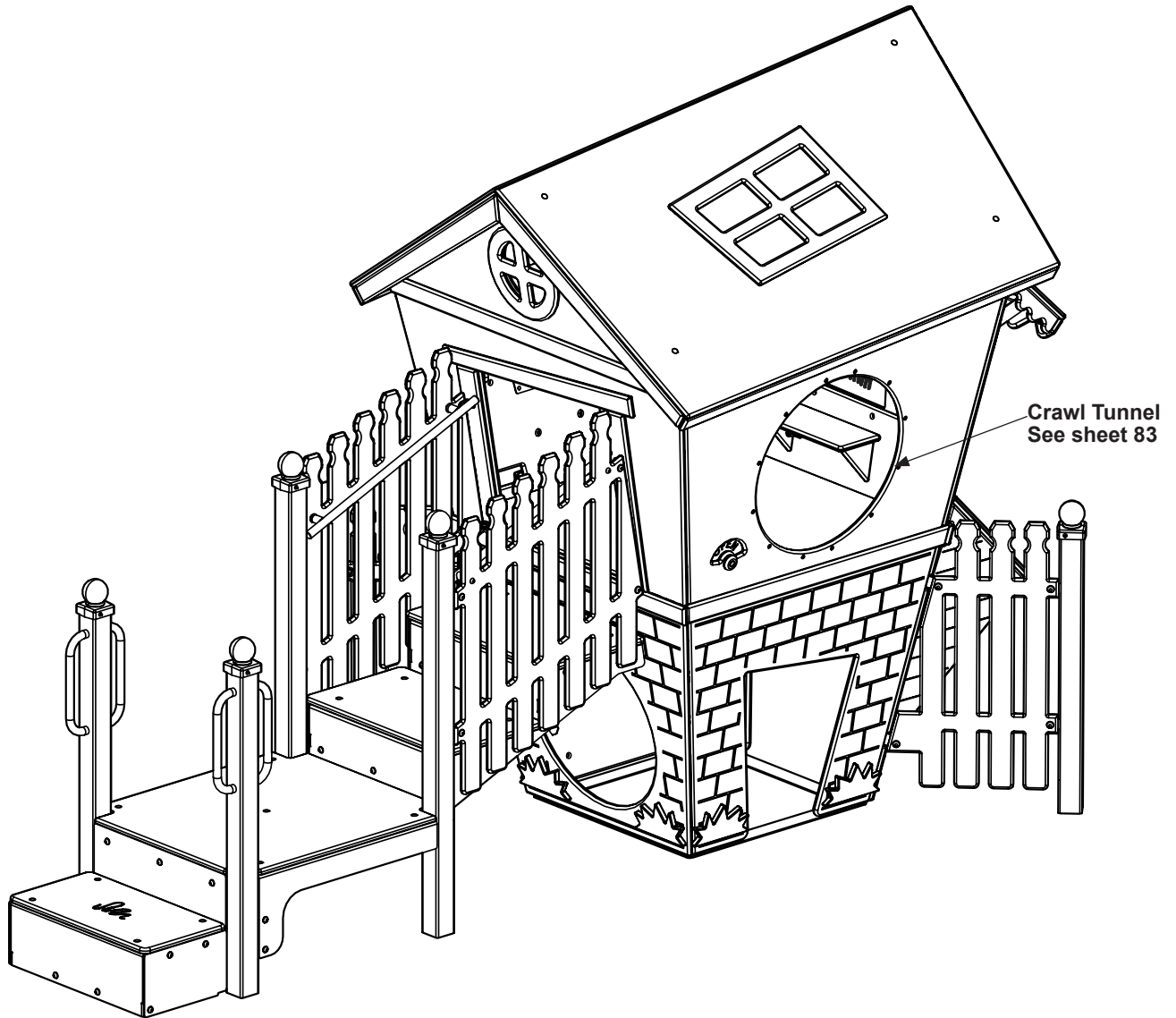
**SAFETY NOTE**  
Choose a protective surfacing material that has a Critical Height Value of at least the height of the Highest Accessible Part/Fall Height of the adjacent equipment. (Ref. ASTM F1487.)



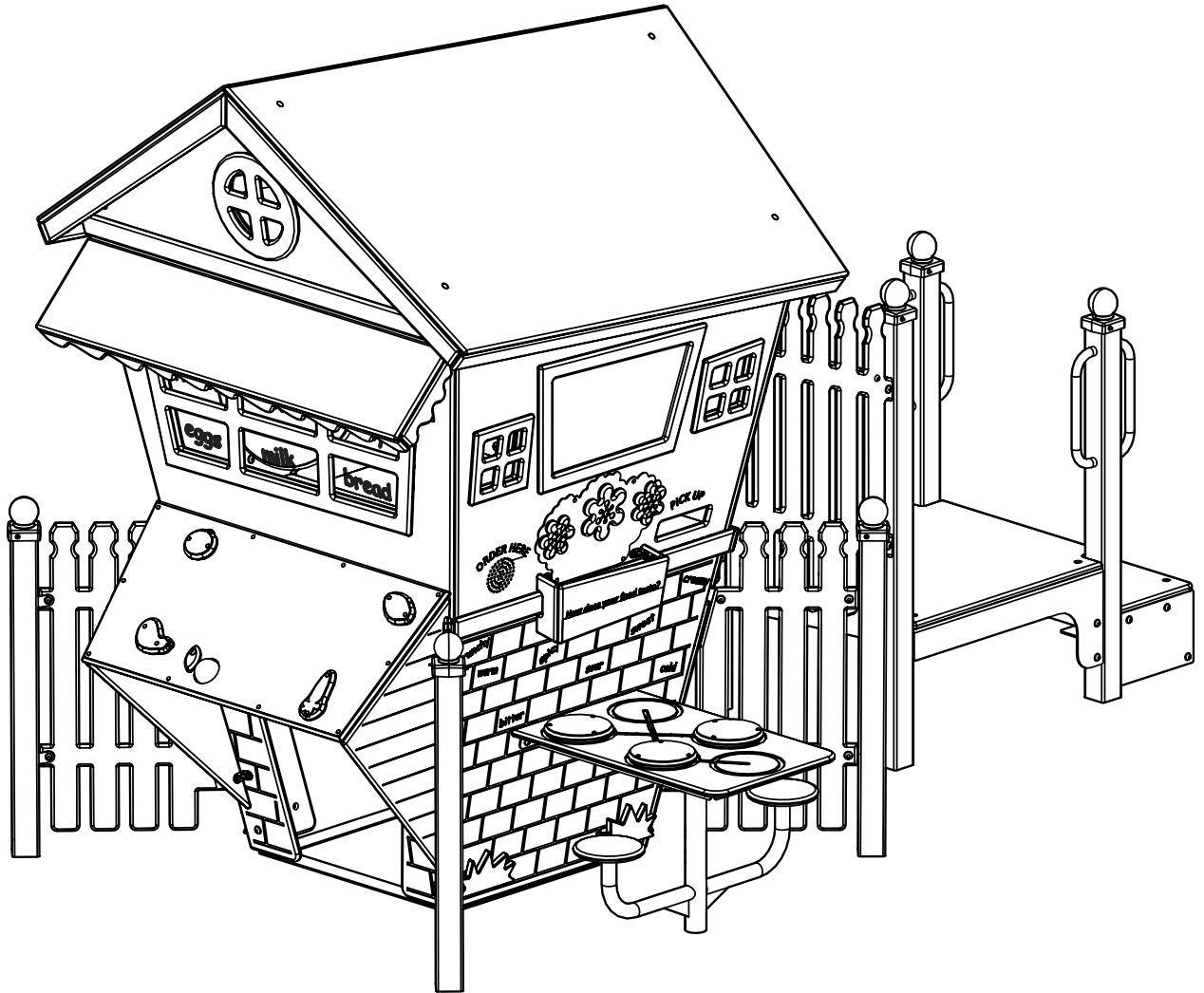
N.	I.D.	X (ft-in)	Y (ft-in)	Dist. to O	DIA (in)
1	A1	0"	0"	0"	12
2	A2	-2'-3"	0"	2'-3"	12
3	A3	0"	2'-3"	2'-3"	12
4	A4	-2'-3"	2'-3"	3'-2"	12
5	A5	0"	-3'-7"	3'-7"	12
6	A6	1'-8"	3'-10"	4'-3"	12
7	A7	-3'-11"	-1'-7"	4'-3"	12
8	A8	-2'-4"	-3'-7"	4'-3"	12
9	A9	-4'-4"	1'-2"	4'-6"	12
10	A10	-3'-11"	3'-11"	5'-6"	12
11	A11	4'-11"	3'-11"	6'-3"	12
12	A12	0"	-6'-4"	6'-4"	12
13	A13	6'-6"	0"	6'-6"	12
14	A14	-2'-4"	-6'-4"	6'-9"	12
15	A15	6'-6"	2'-3"	6'-11"	12
16	A16	6'-7"	-2'-5"	7'	12
17	A17	-1'-2"	-7'-6"	7'-7"	12
18	A18	8'-9"	0"	8'-9"	12
19	A19	8'-9"	-2'-5"	9'-1"	12
20	A20	8'-9"	2'-3"	9'-1"	12
21	A21	9'-5"	2'-11"	9'-10"	12
22	A22	10'-4"	4"	10'-4"	12
23	A23	10'-4"	1'-11"	10'-6"	12
24	A24	7'-8"	9'-1"	11'-10"	12

N.	I.D.	X (m)	Y (m)	Dist. to O	DIA (cr)
1	A1	0.00	0.00	0.00	30
2	A2	-0.69	0.00	0.69	30
3	A3	0.00	0.69	0.69	30
4	A4	-0.69	0.69	0.97	30
5	A5	0.01	-1.09	1.09	30
6	A6	0.50	1.18	1.28	30
7	A7	-1.19	-0.49	1.29	30
8	A8	-0.70	-1.09	1.30	30
9	A9	-1.32	0.34	1.36	30
10	A10	-1.20	1.18	1.68	30
11	A11	1.49	1.19	1.91	30
12	A12	0.01	-1.93	1.93	30
13	A13	1.98	0.00	1.98	30
14	A14	-0.70	-1.93	2.05	30
15	A15	1.98	0.69	2.10	30
16	A16	2.00	-0.74	2.13	30
17	A17	-0.34	-2.28	2.31	30
18	A18	2.67	0.00	2.67	30
19	A19	2.66	-0.74	2.76	30
20	A20	2.67	0.69	2.76	30
21	A21	2.87	0.89	3.00	30
22	A22	3.16	0.10	3.16	30
23	A23	3.15	0.59	3.21	30
24	A24	2.33	2.77	3.62	30

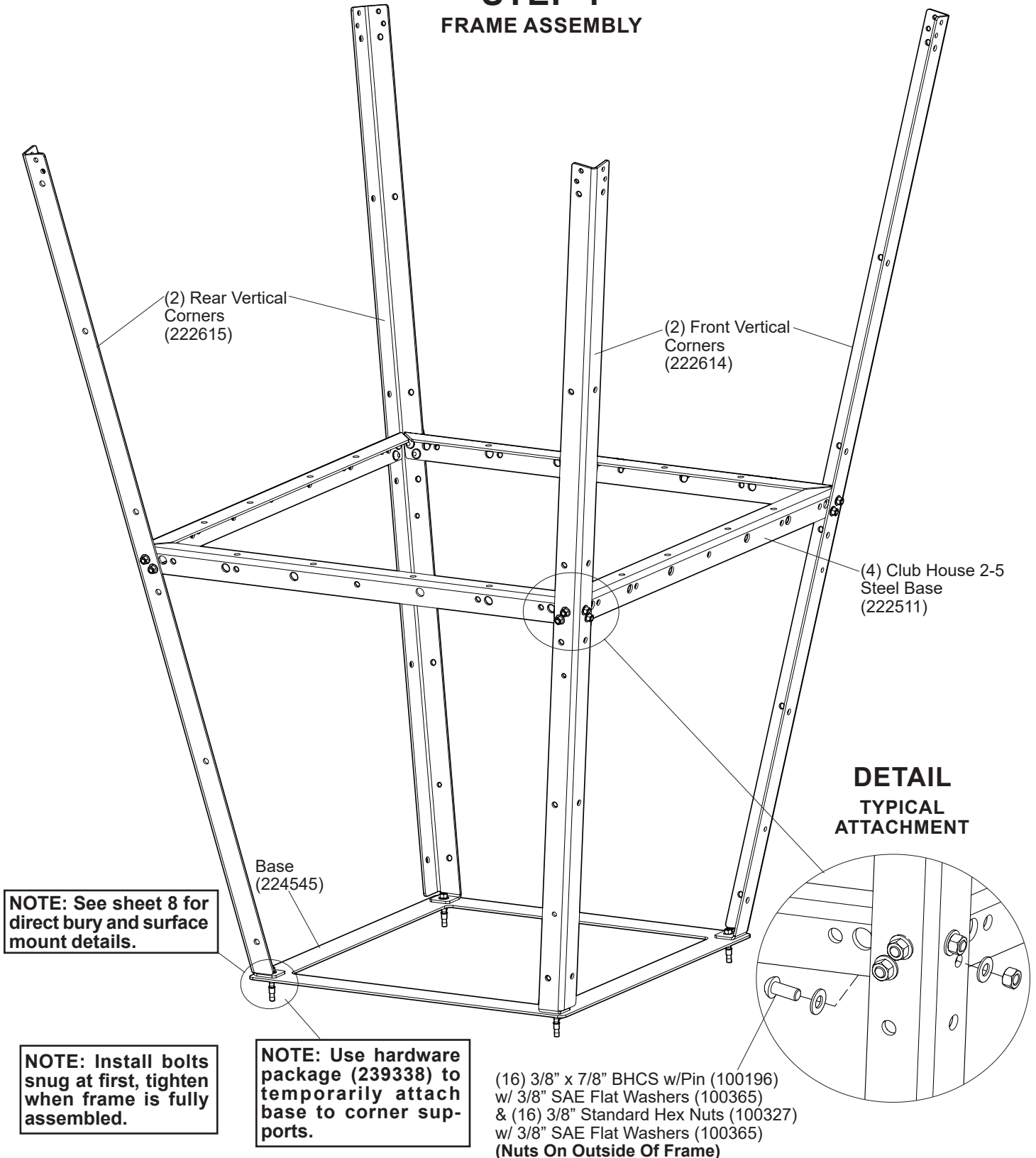
**MARKET CAFE**  
(FRONT VIEW)

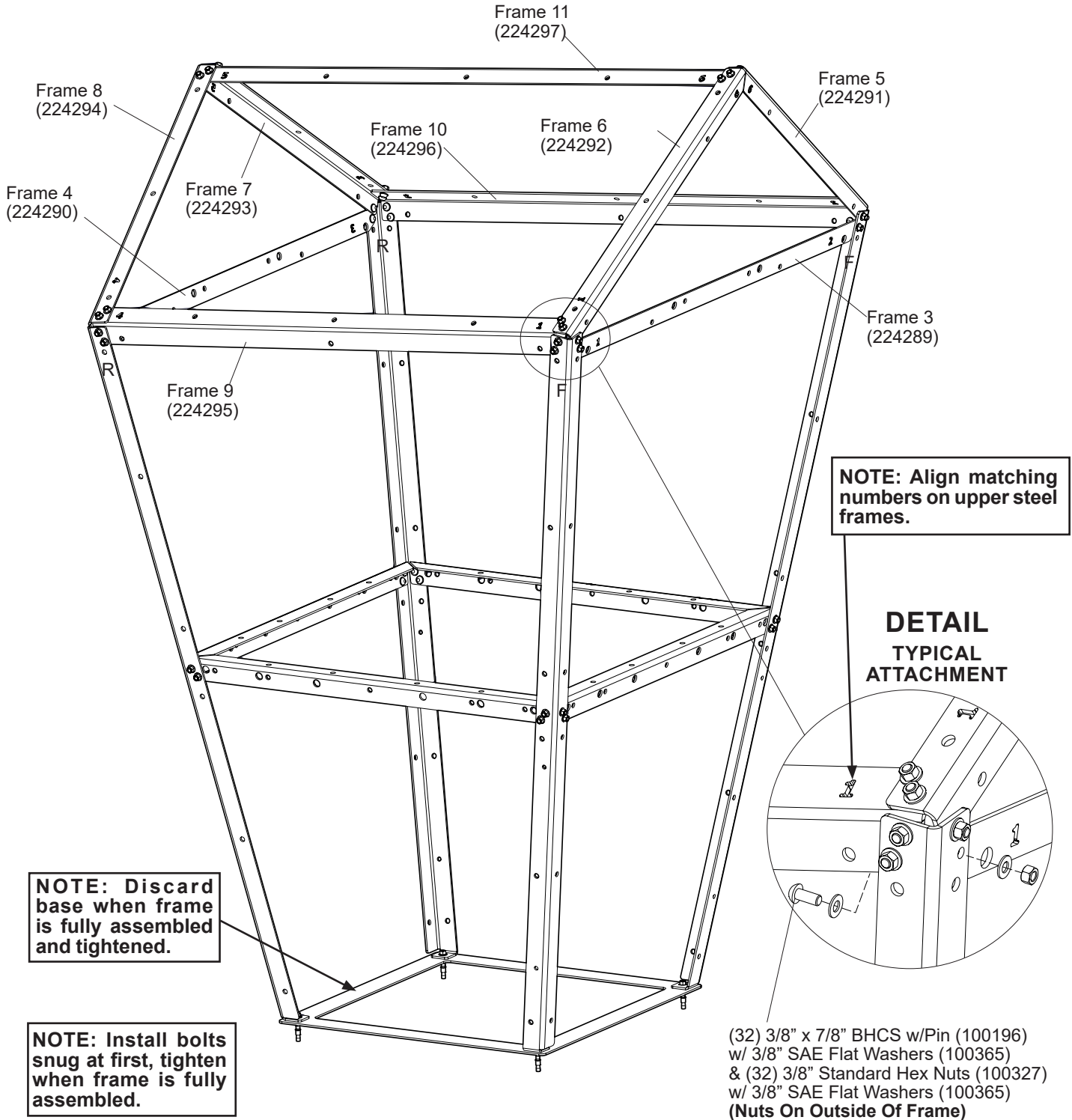


**MARKET CAFE**  
**(BACK VIEW)**



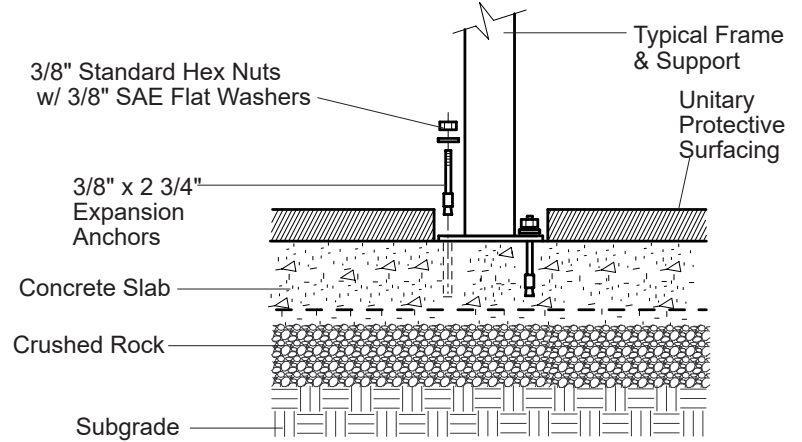
**STEP 1  
FRAME ASSEMBLY**



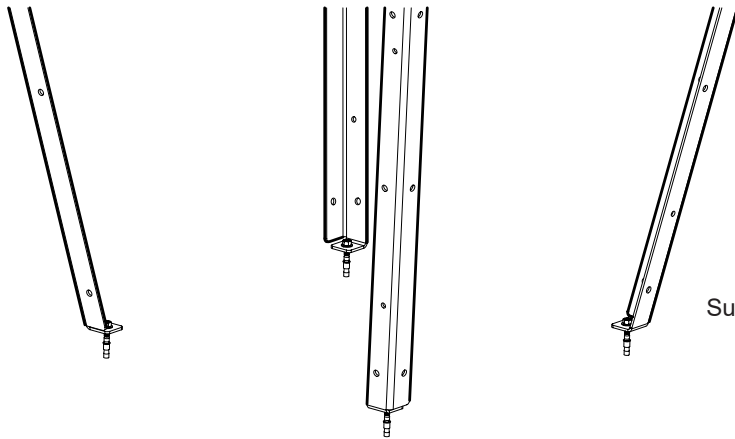


- 1) **(Surface Mount)** After frame has been assembled and placed in final location, drill 3/8" x 3" deep holes through frame tabs into concrete slab using 3/8" masonry bit and hammer drill. Tap 3/8" x 2 3/4" expansion anchors into drilled holes and fasten with 3/8" standard hex nuts and 3/8" SAE flat washers.
- 2) **(Direct Bury)** After frame has been assembled, remove base and attach direct bury legs.

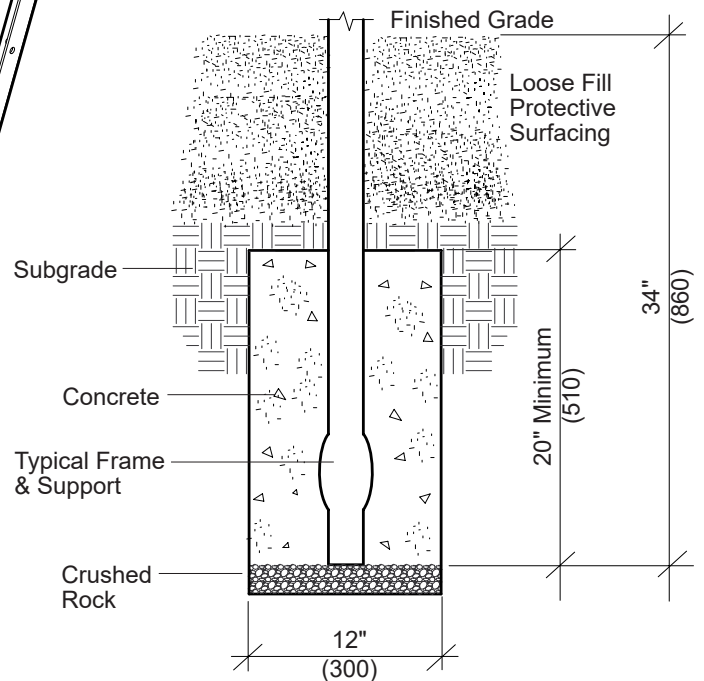
### DETAIL SURFACE MOUNT



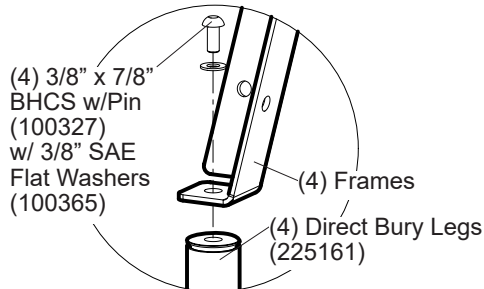
### DETAIL FRAME W/ANCHORS (SM)



### DETAIL DIRECT BURY



### DETAIL LEG ATTACHMENT (DB)

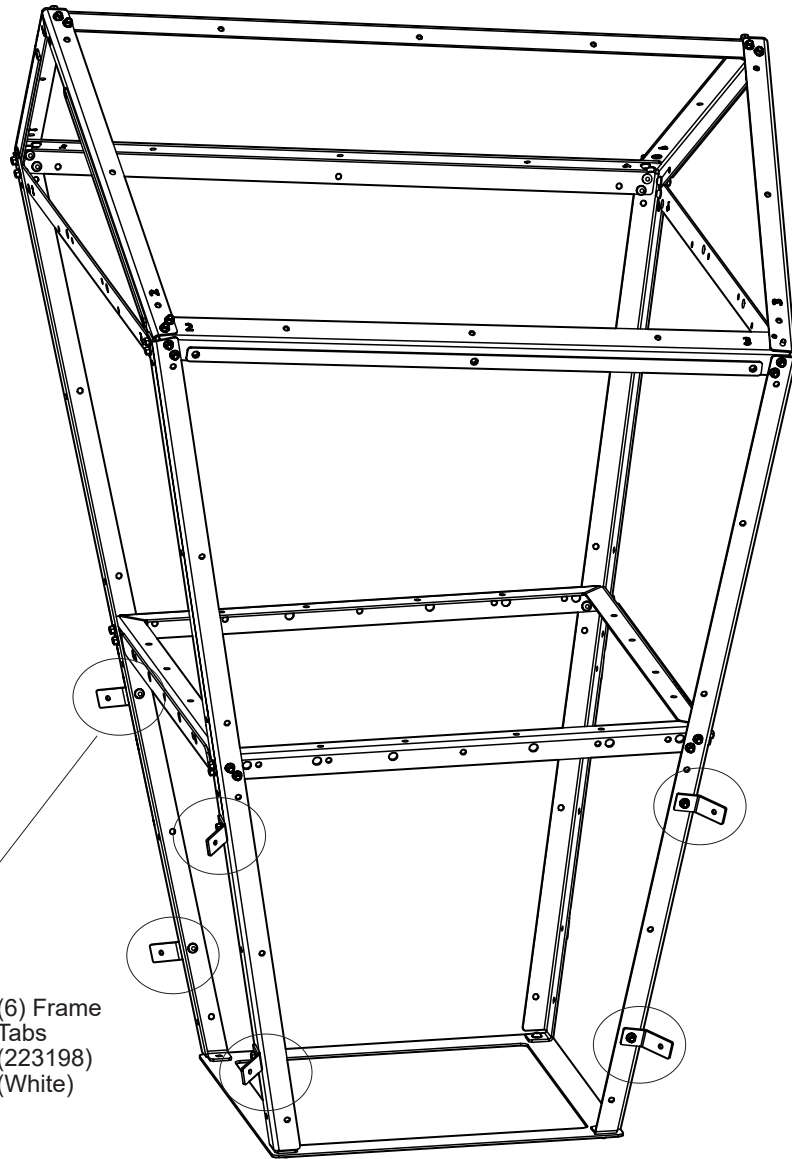




## STEP 2

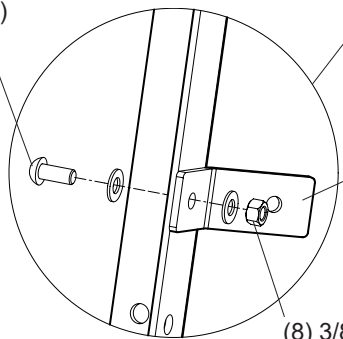
- 1) Attach tabs to frame.

High Point



### DETAIL TAB ATTACHMENT

(8) 3/8" x 7/8" BHCS w/Pin  
 (100196)  
 w/3/8" SAE Flat Washers  
 (100365)



(6) Frame  
 Tabs  
 (223198)  
 (White)

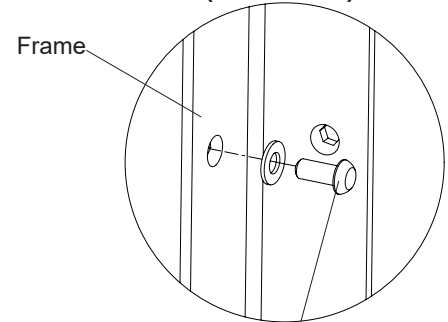
(8) 3/8" Standard  
 Hex Nuts  
 (100327)  
 w/ 3/8" SAE Flat  
 Washers  
 (100365)

## STEP 3

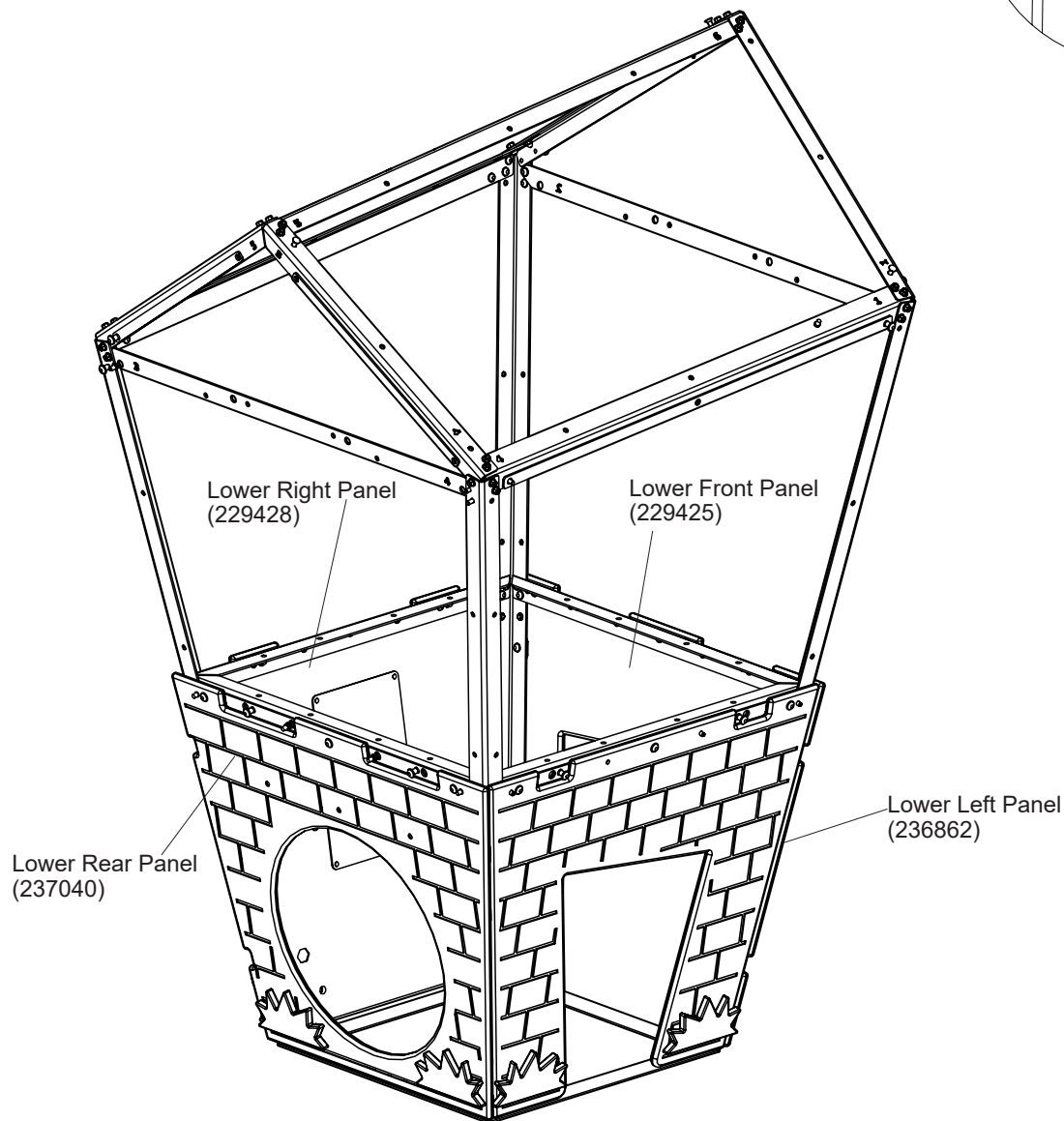
- 1) Attach lower panels.

**IMPORTANT! Do not use impact driver on 5/16" x 3/4" BHCS w/Pin. Torque 5ft-lbs maximum.**

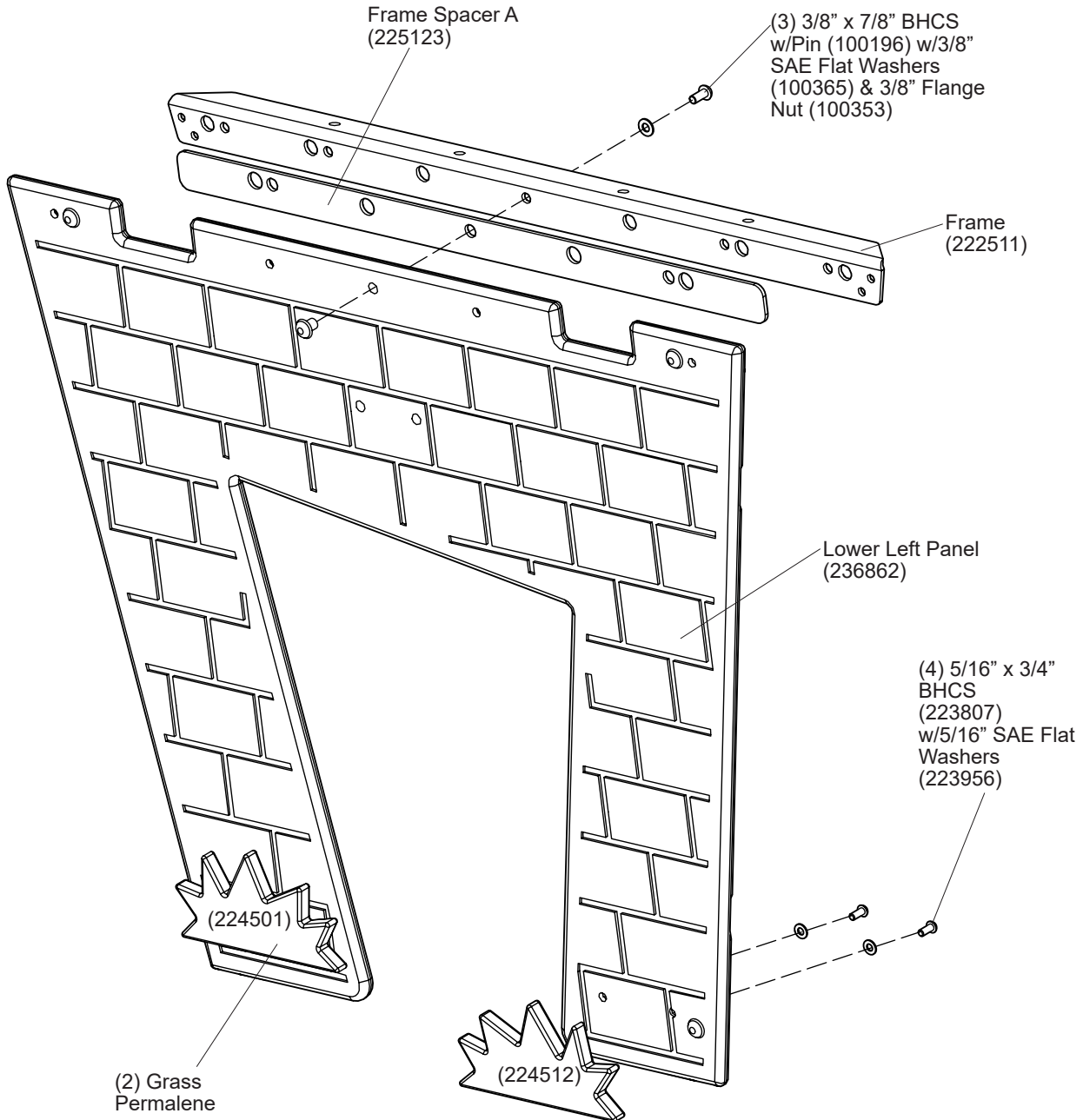
### DETAIL PANEL TO FRAME ATTACHMENT (TYPICAL)



(16) 5/16" x 3/4"  
 BHCS w/Pin  
 (223807)  
 w/ 5/16" SAE  
 Flat Washers  
 (223956)



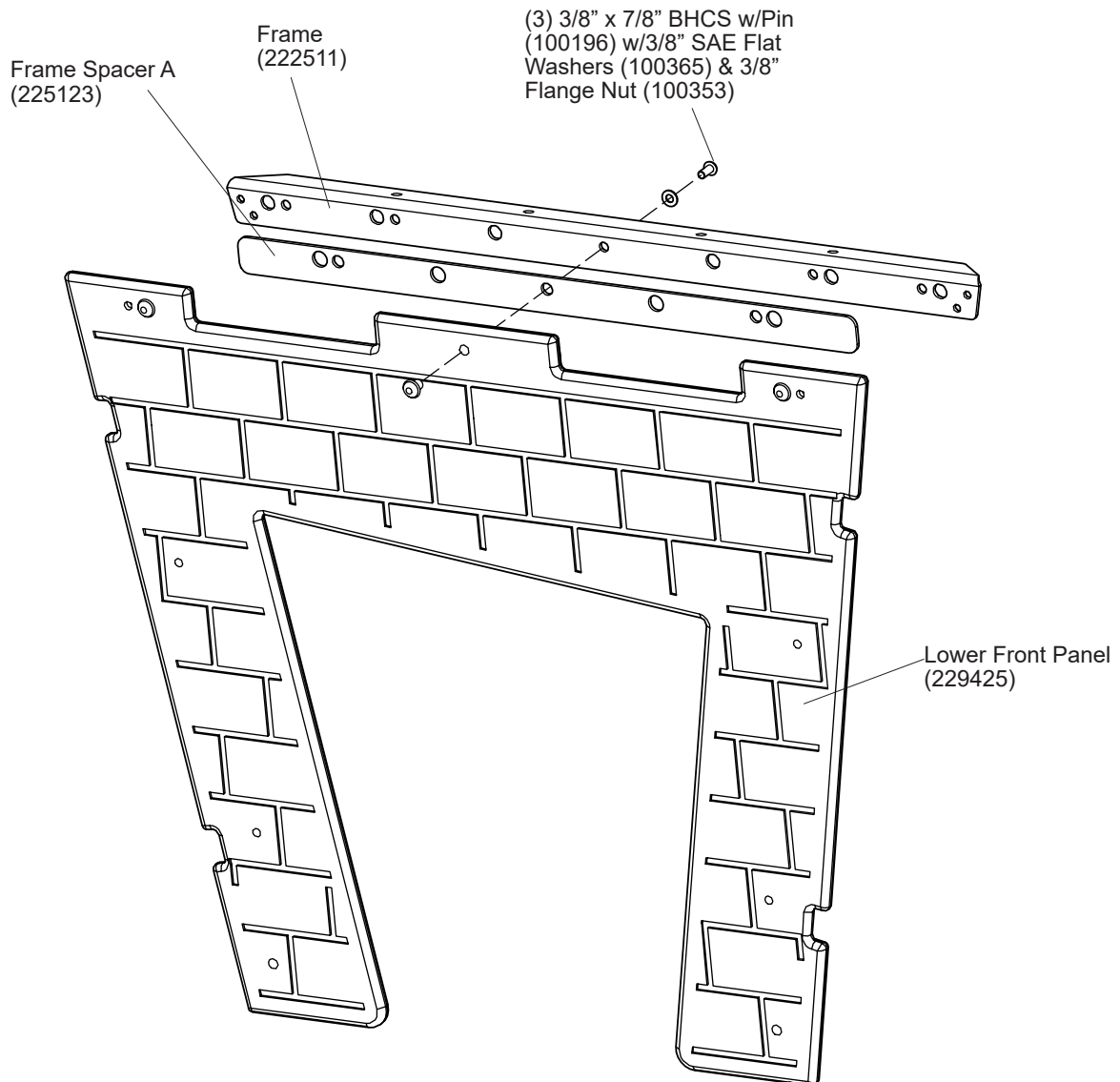
**DETAIL**  
**LOWER LEFT PANEL ATTACHMENT**



**NOTE: Attach grass Permalene after panel is attached to frame.**

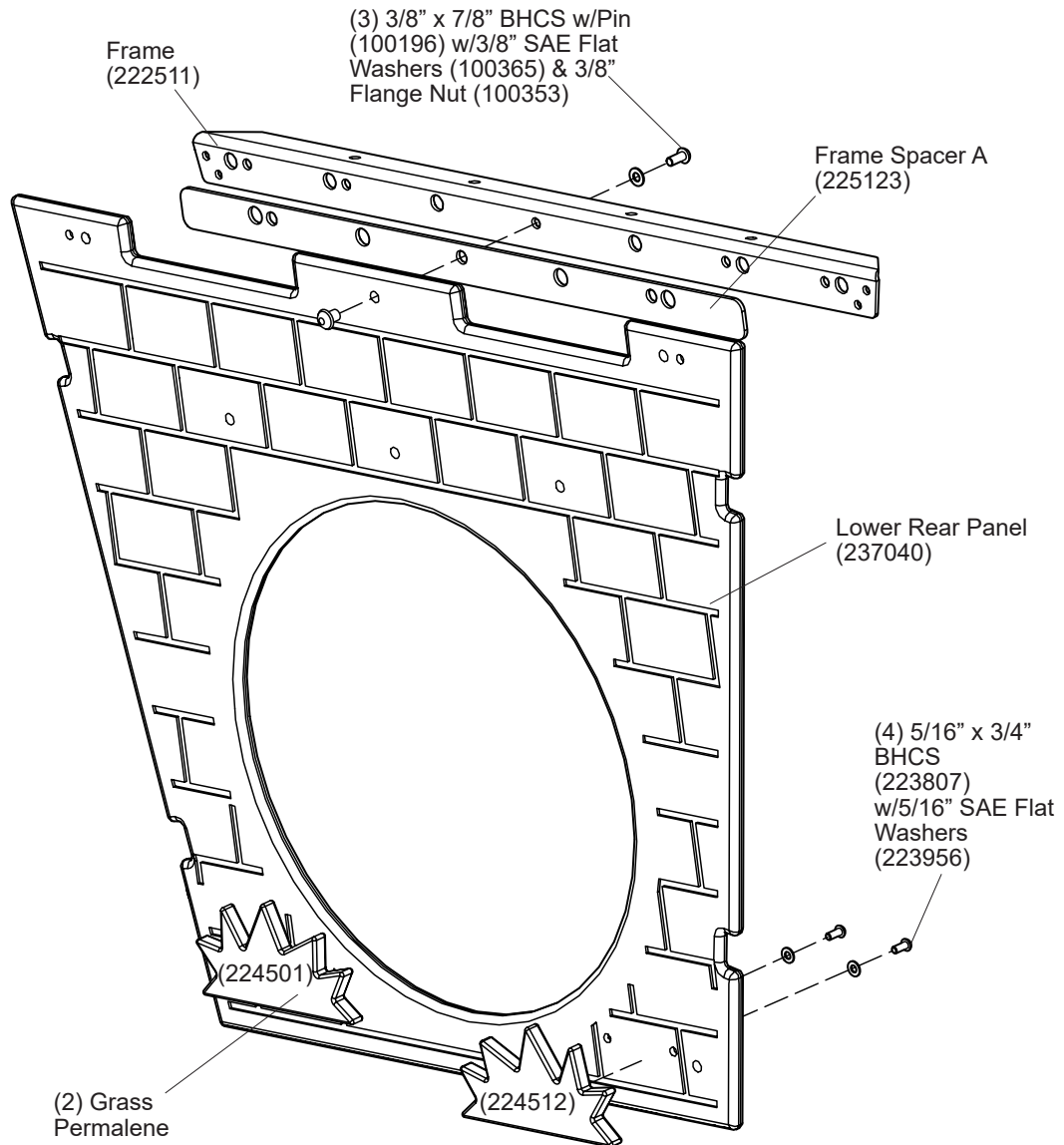
**IMPORTANT! Do not use impact driver on 5/16" x 3/4" BHCS w/Pin. Torque 5ft-lbs maximum.**

**DETAIL**  
**LOWER FRONT PANEL ATTACHMENT**



**IMPORTANT! Do not use impact driver on 5/16" x 3/4" BHCS w/Pin. Torque 5ft-lbs maximum.**

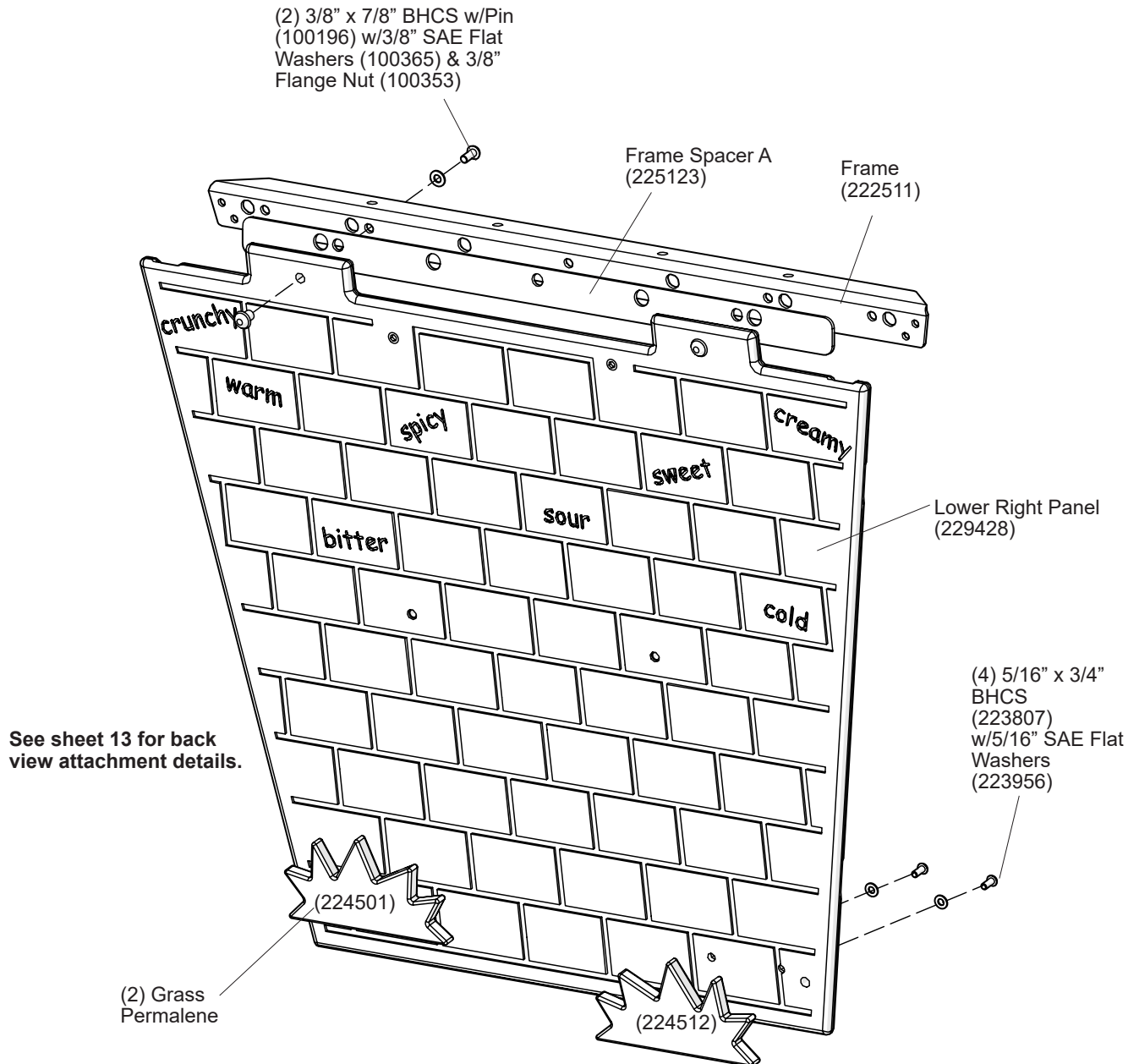
**DETAIL**  
**LOWER REAR PANEL ATTACHMENT**



**NOTE: Attach grass Permalene after panel is attached to frame.**

**IMPORTANT! Do not use impact driver on 5/16" x 3/4" BHCS w/Pin. Torque 5ft-lbs maximum.**

**DETAIL**  
**LOWER RIGHT PANEL ATTACHMENT**

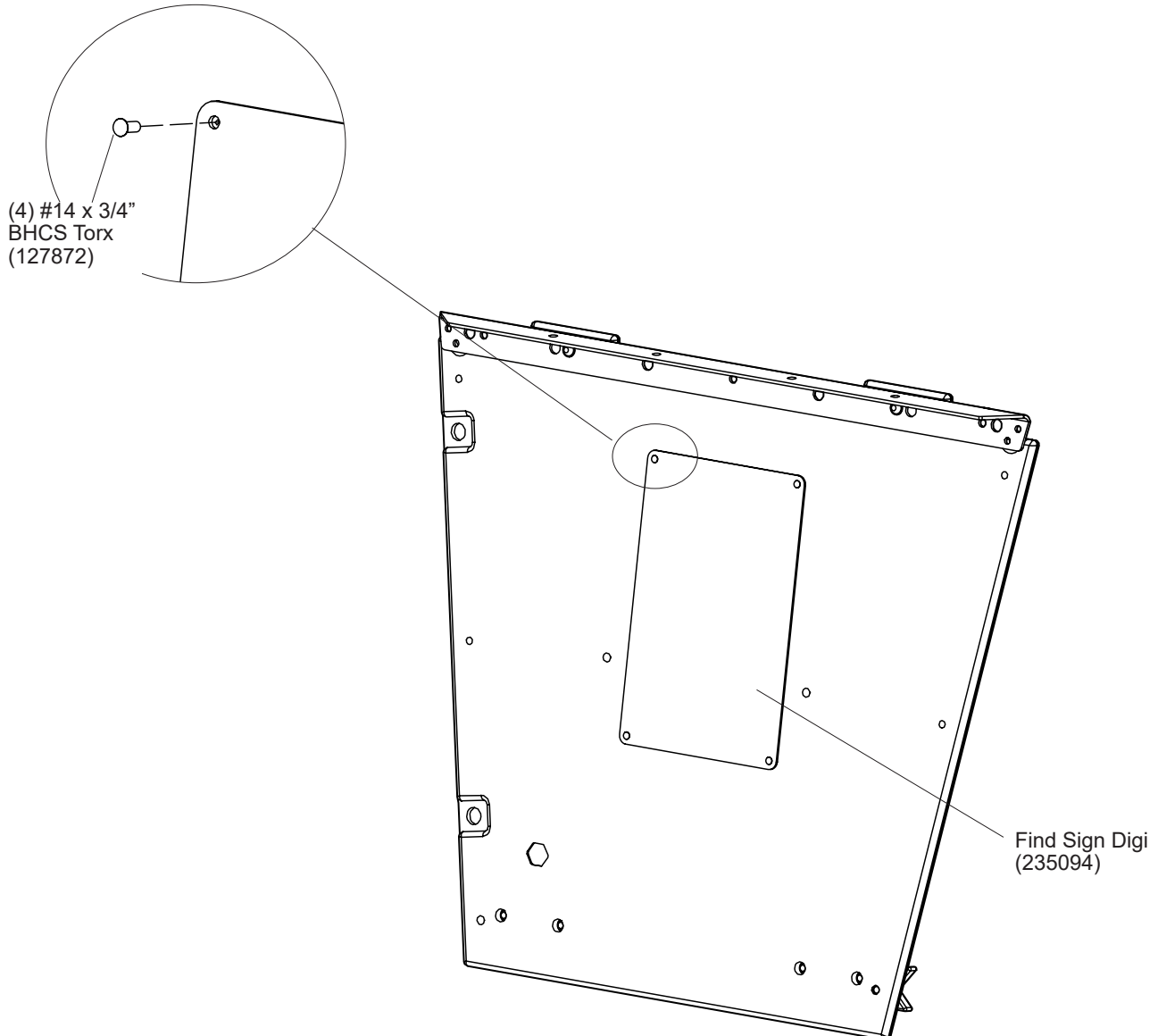


**NOTE: Attach grass Permalene after panel is attached to frame.**

**IMPORTANT! Do not use impact driver on 5/16" x 3/4" BHCS w/Pin. Torque 5ft-lbs maximum.**

**DETAIL**  
**LOWER RIGHT PANEL ATTACHMENT**  
**(BACK VIEW)**

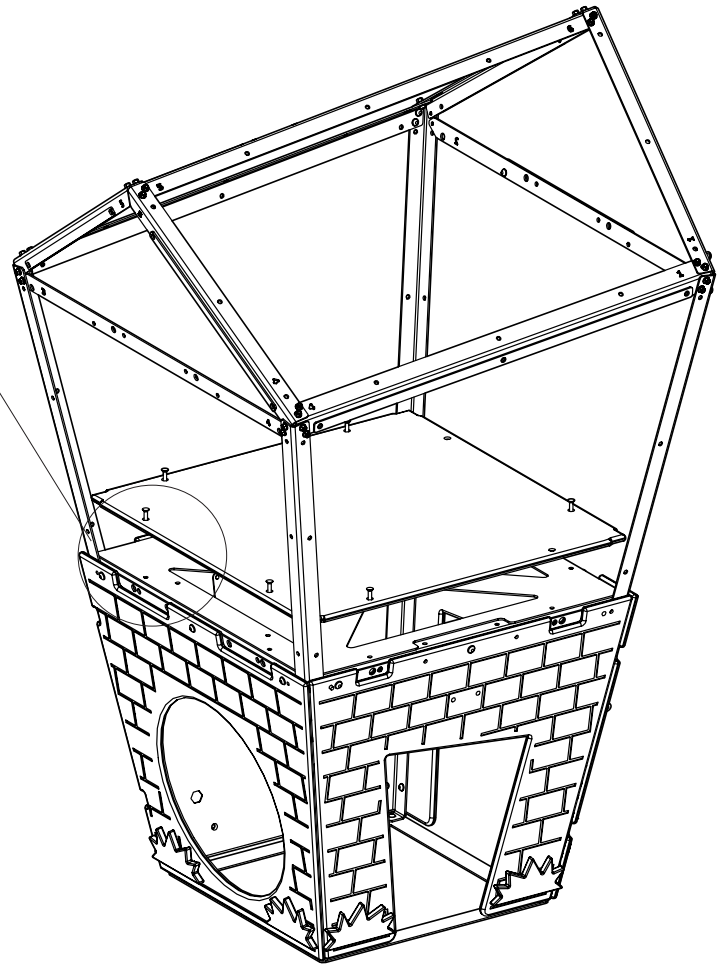
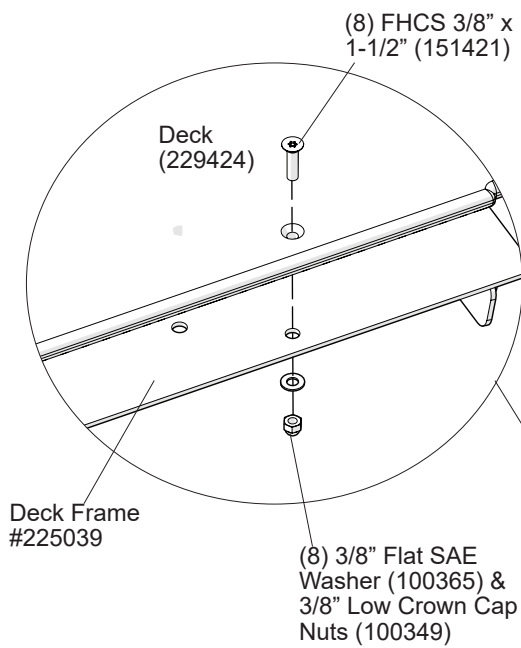
**DETAIL**  
**TYP. DIGI PANEL ATTACHMENT**



## STEP 5

1) Attach deck.

### DETAIL DECK ATTACHMENT

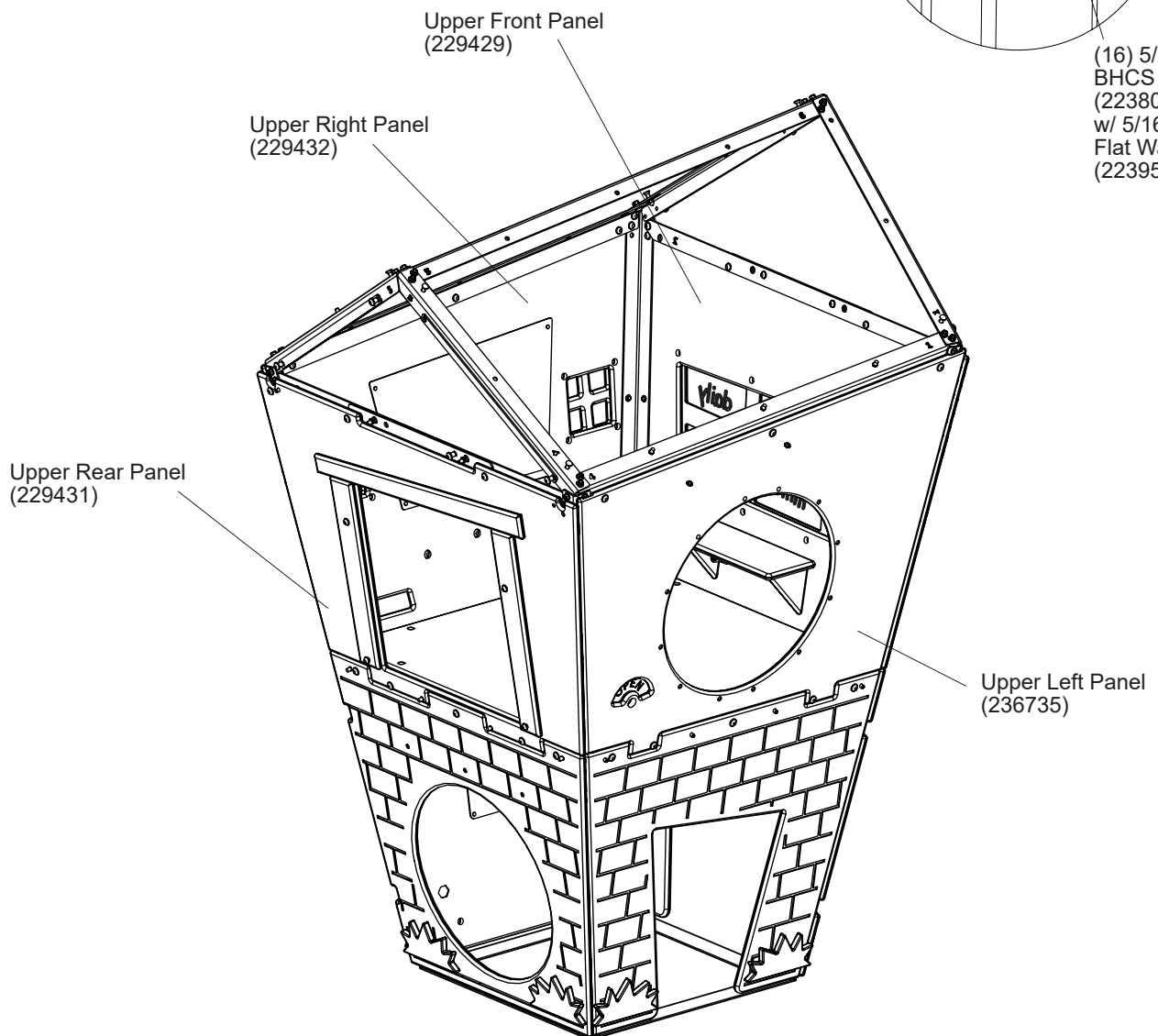
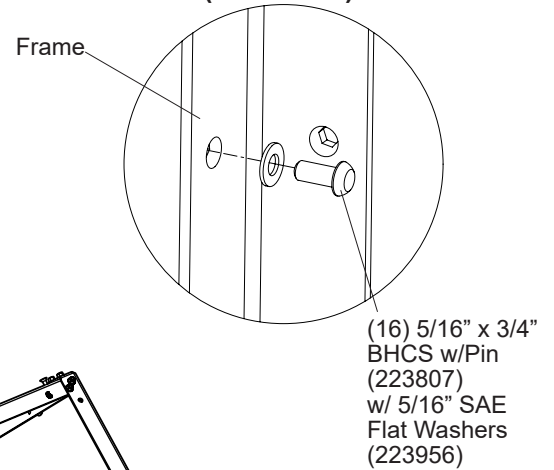




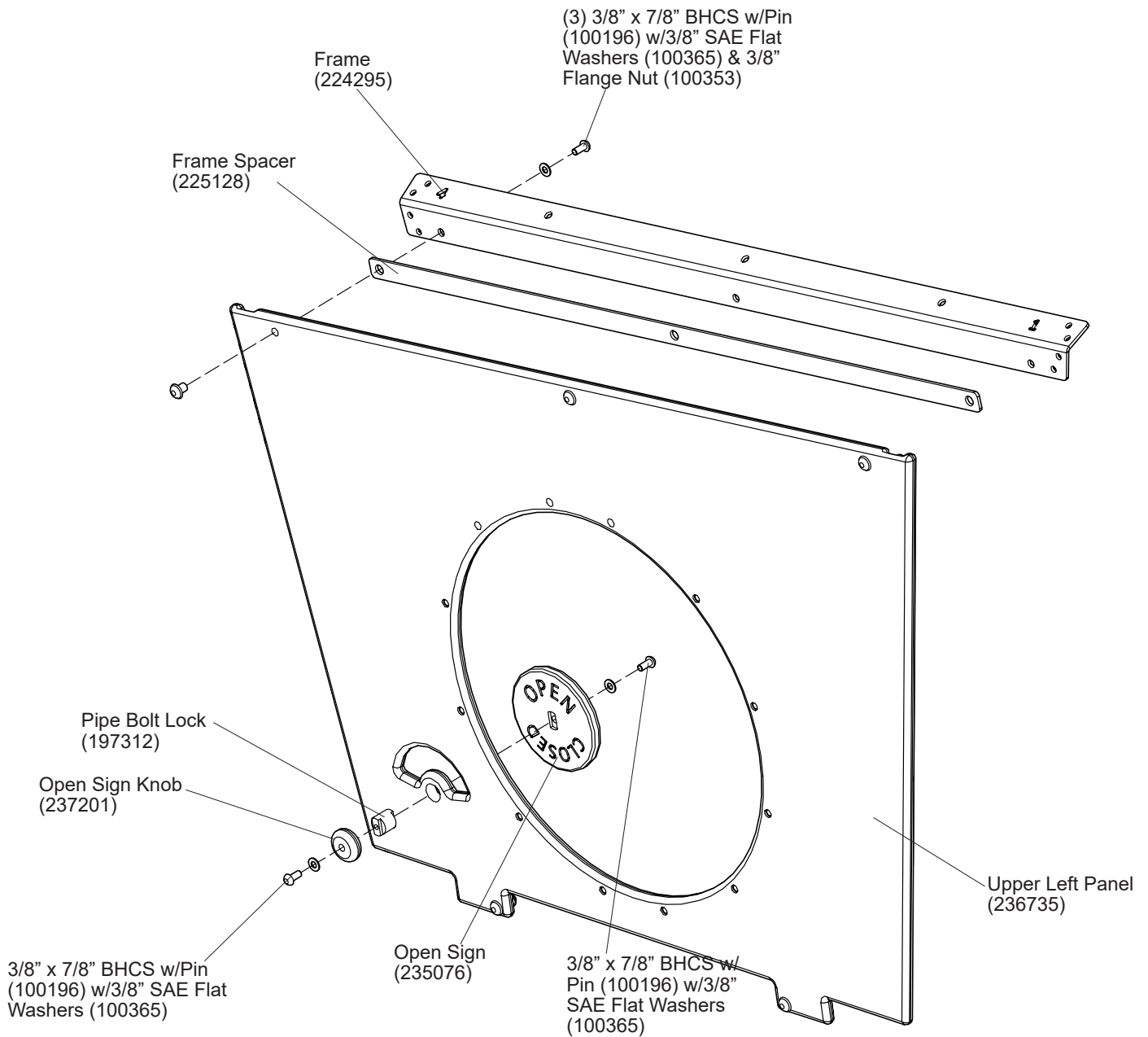
## STEP 6

1) Attach upper panels.

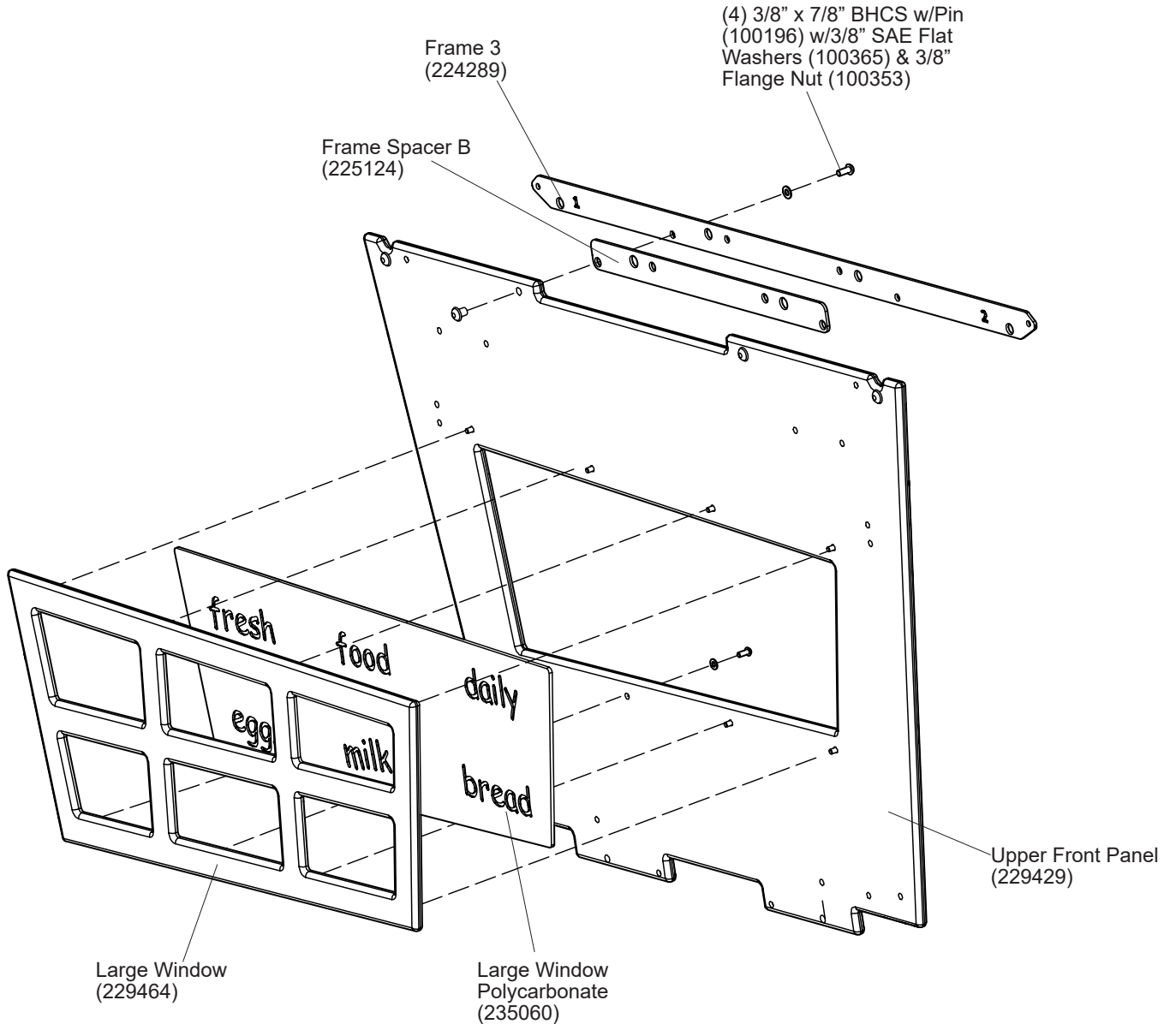
### DETAIL PANEL TO FRAME ATTACHMENT (TYPICAL)



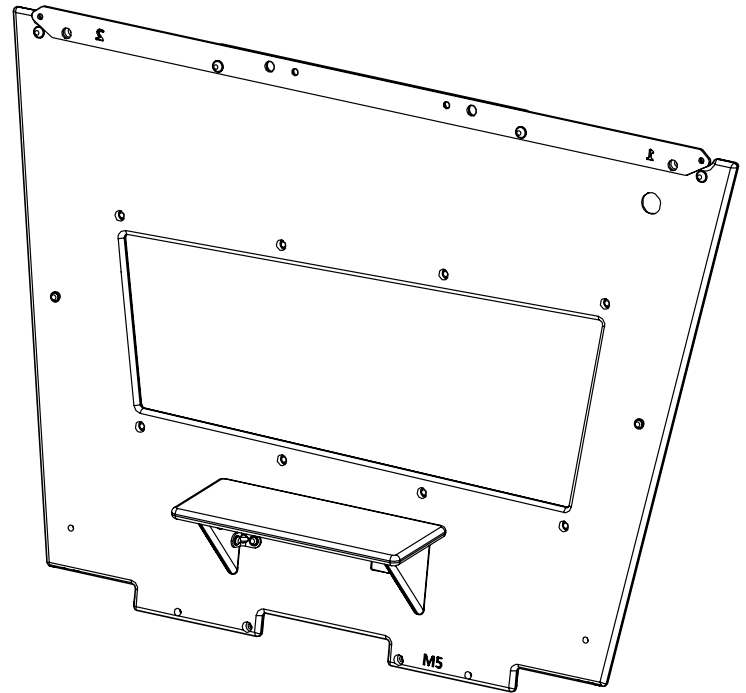
**DETAIL**  
**UPPER LEFT PANEL ATTACHMENT**



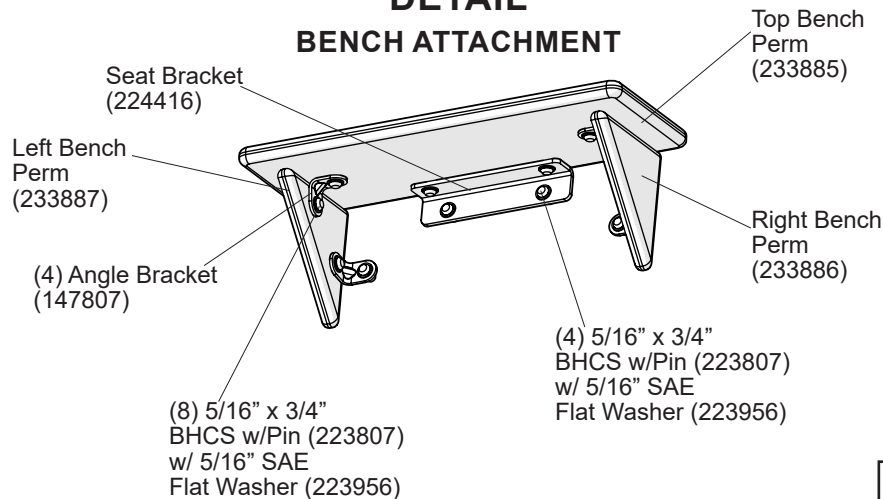
**DETAIL**  
**UPPER FRONT PANEL ATTACHMENT**  
**(OUTSIDE VIEW)**



**DETAIL**  
**UPPER FRONT PANEL ATTACHMENT**  
**(INSIDE VIEW)**

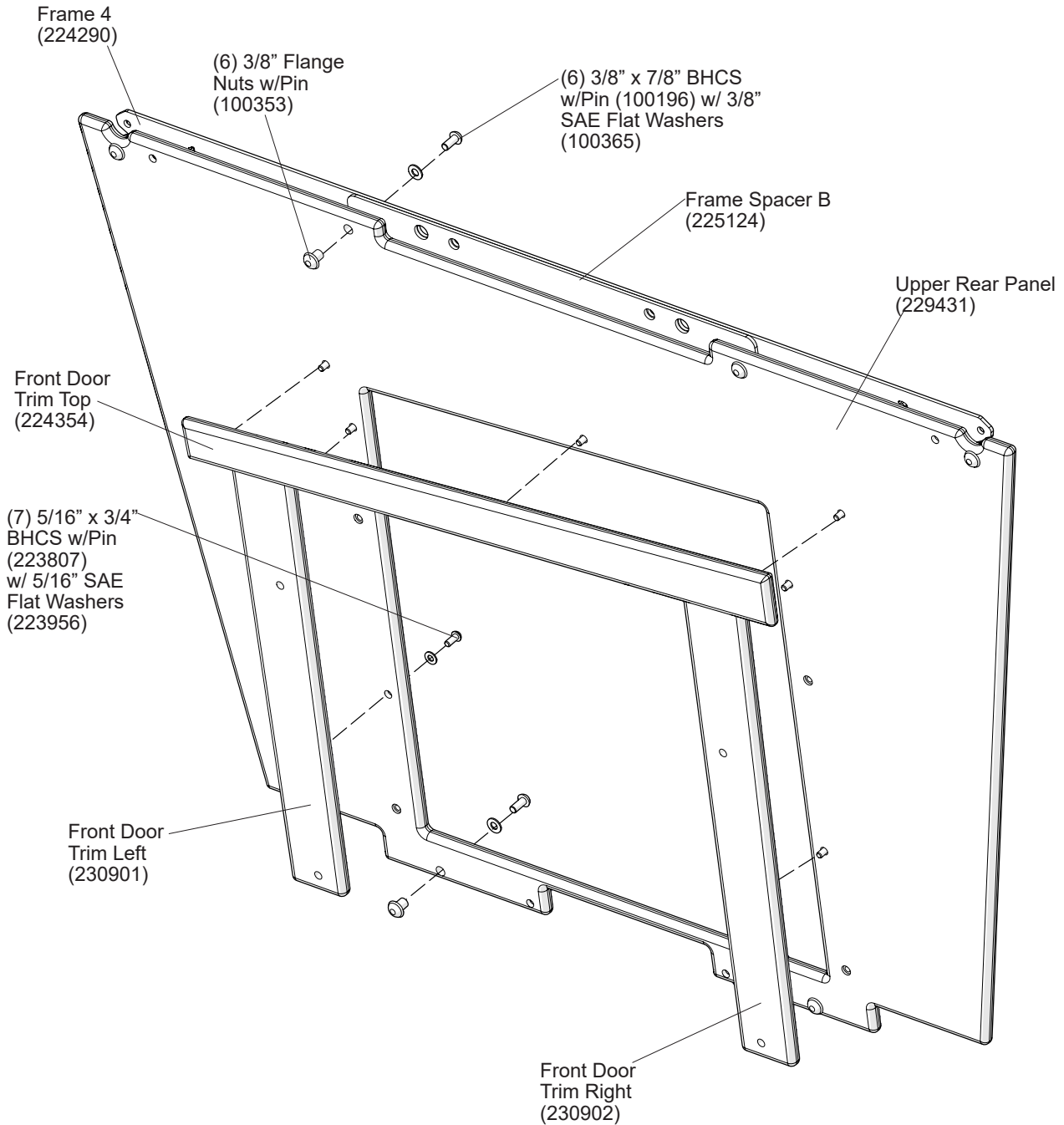


**DETAIL**  
**BENCH ATTACHMENT**



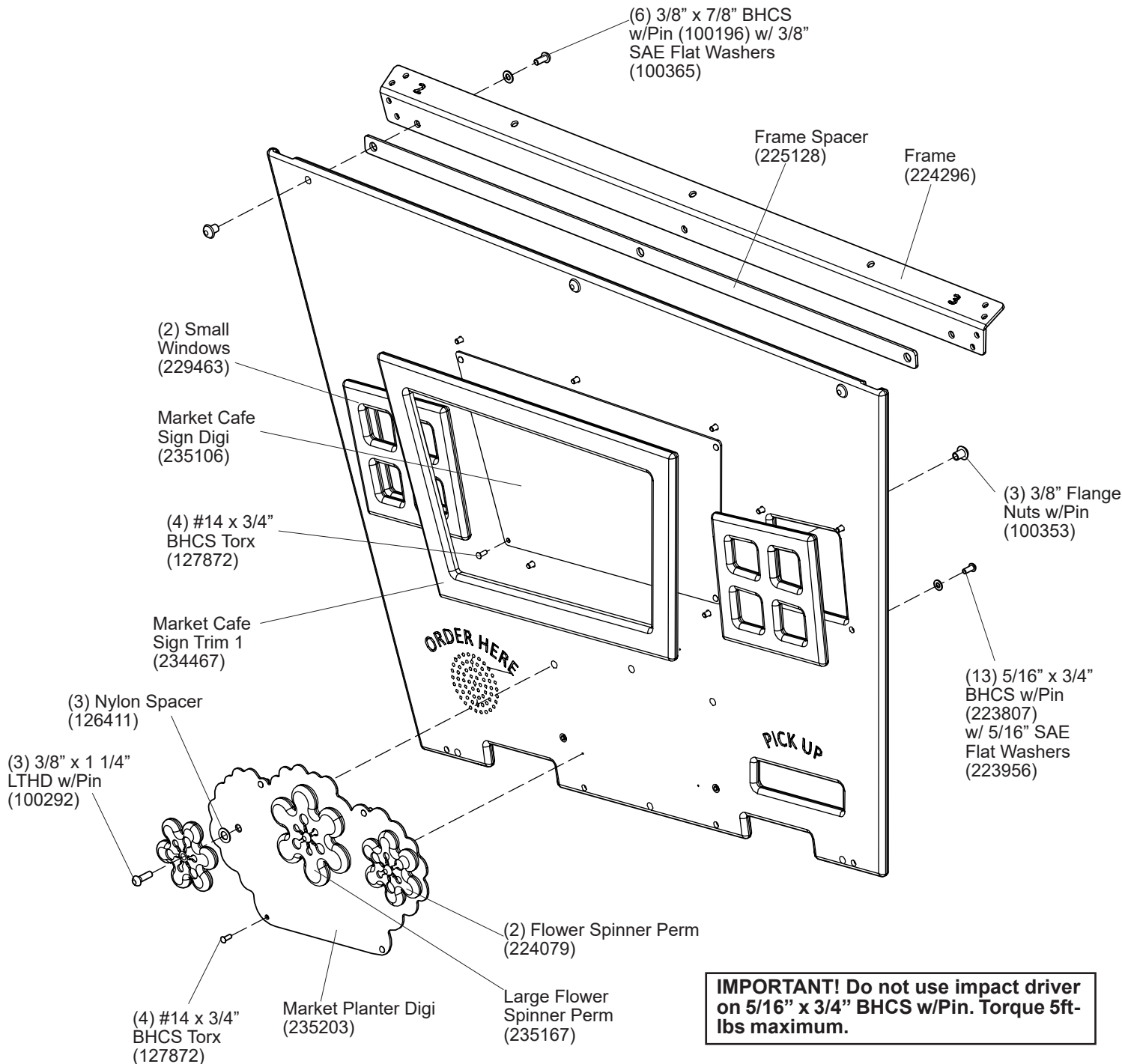
**IMPORTANT! Do not use impact driver on 5/16" x 3/4" BHCS w/Pin. Torque 5ft-lbs maximum.**

**DETAIL**  
**UPPER REAR PANEL ATTACHMENT**



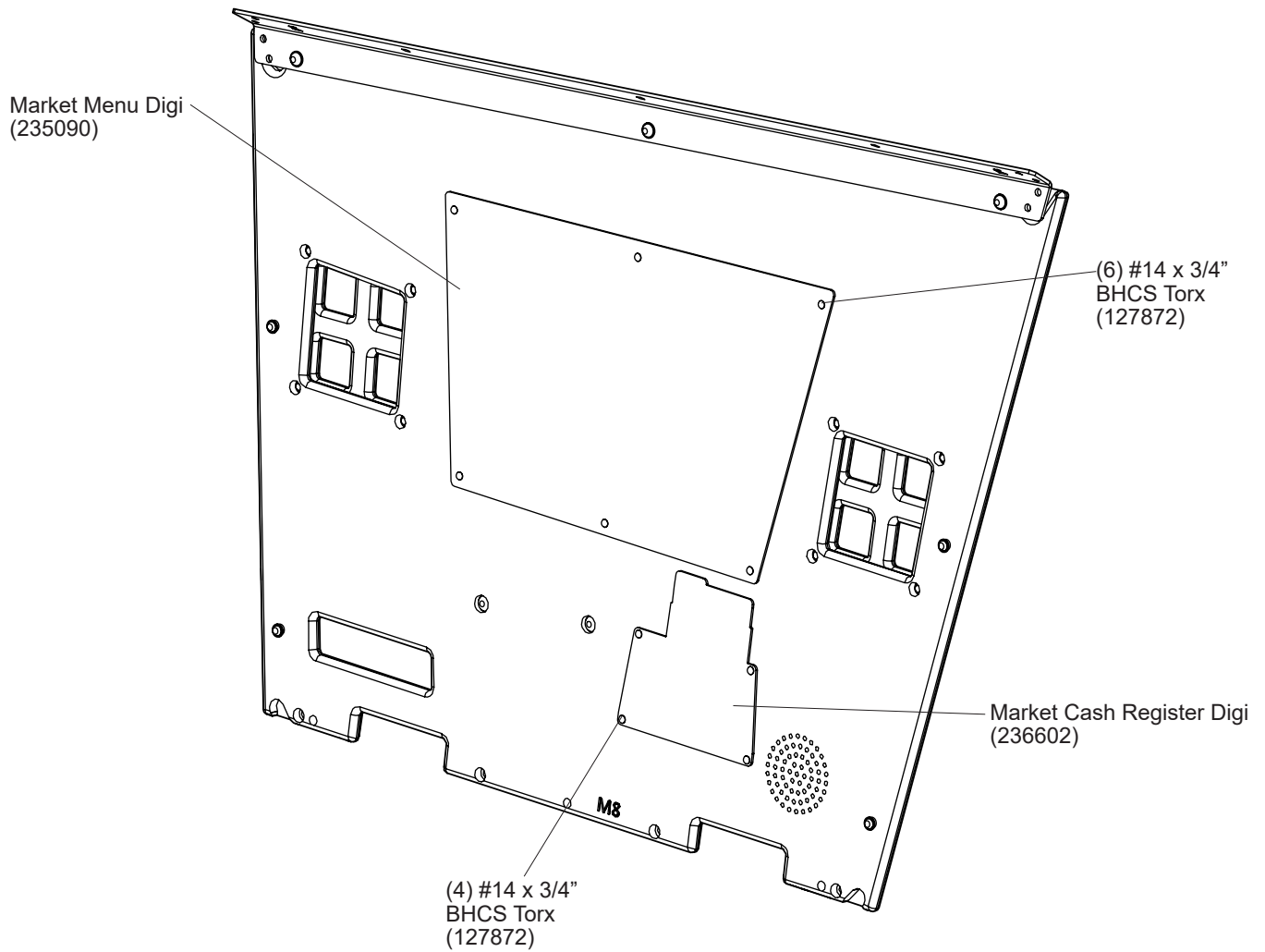
**IMPORTANT! Do not use impact driver on 5/16" x 3/4" BHCS w/Pin. Torque 5ft-lbs maximum.**

**DETAIL**  
**UPPER RIGHT PANEL ATTACHMENT**  
**(OUTSIDE VIEW)**



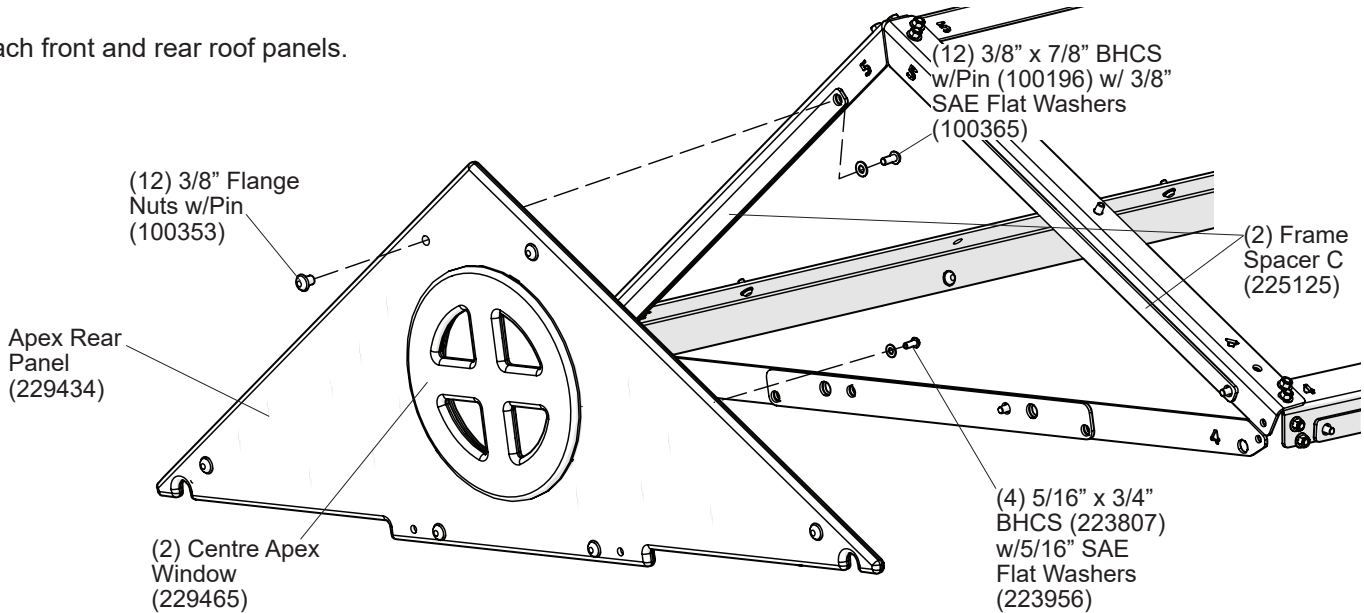
**IMPORTANT! Do not use impact driver on 5/16" x 3/4" BHCS w/Pin. Torque 5ft-lbs maximum.**

**DETAIL**  
**UPPER RIGHT PANEL ATTACHMENT**  
**(INSIDE VIEW)**

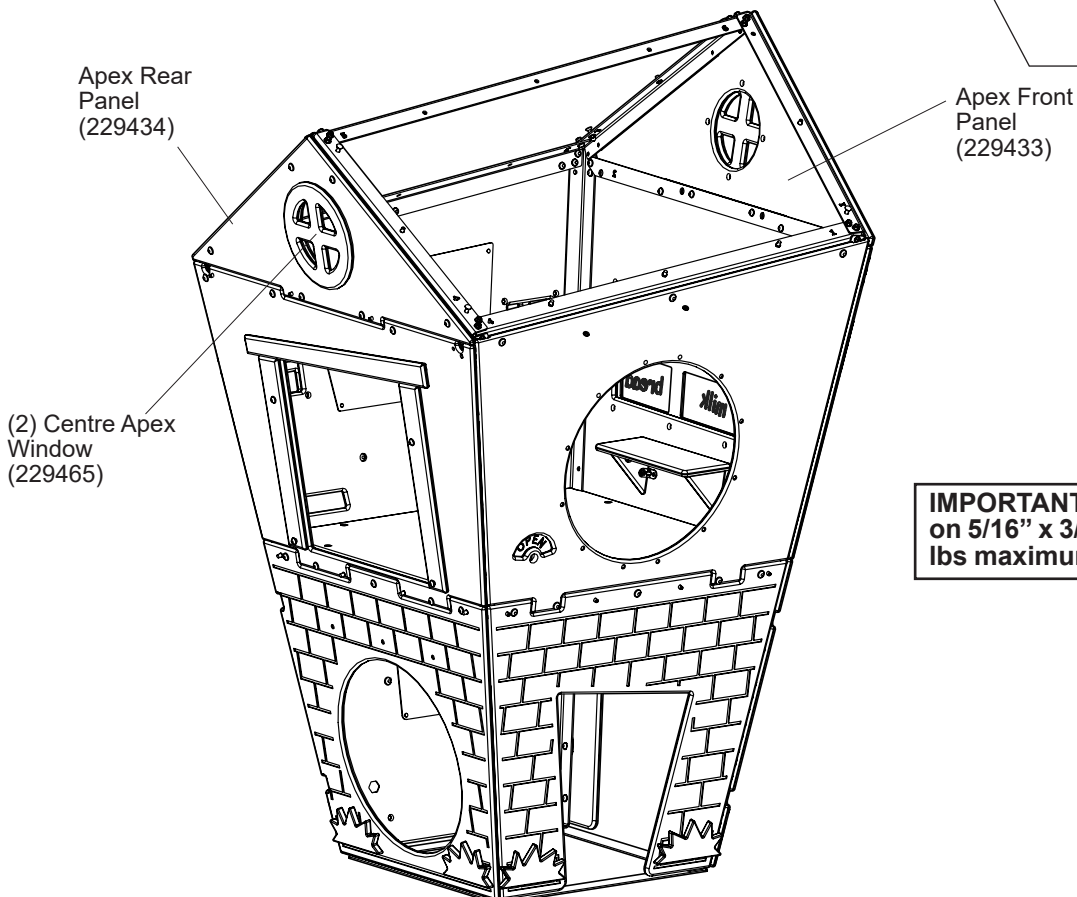


## STEP 6

1) Attach front and rear roof panels.



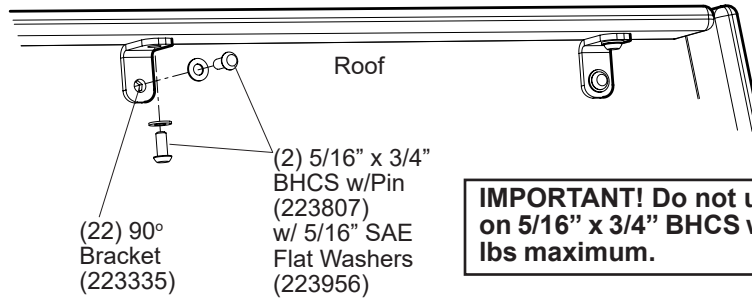
**NOTE: Same attachment for Apex Front Panel.**



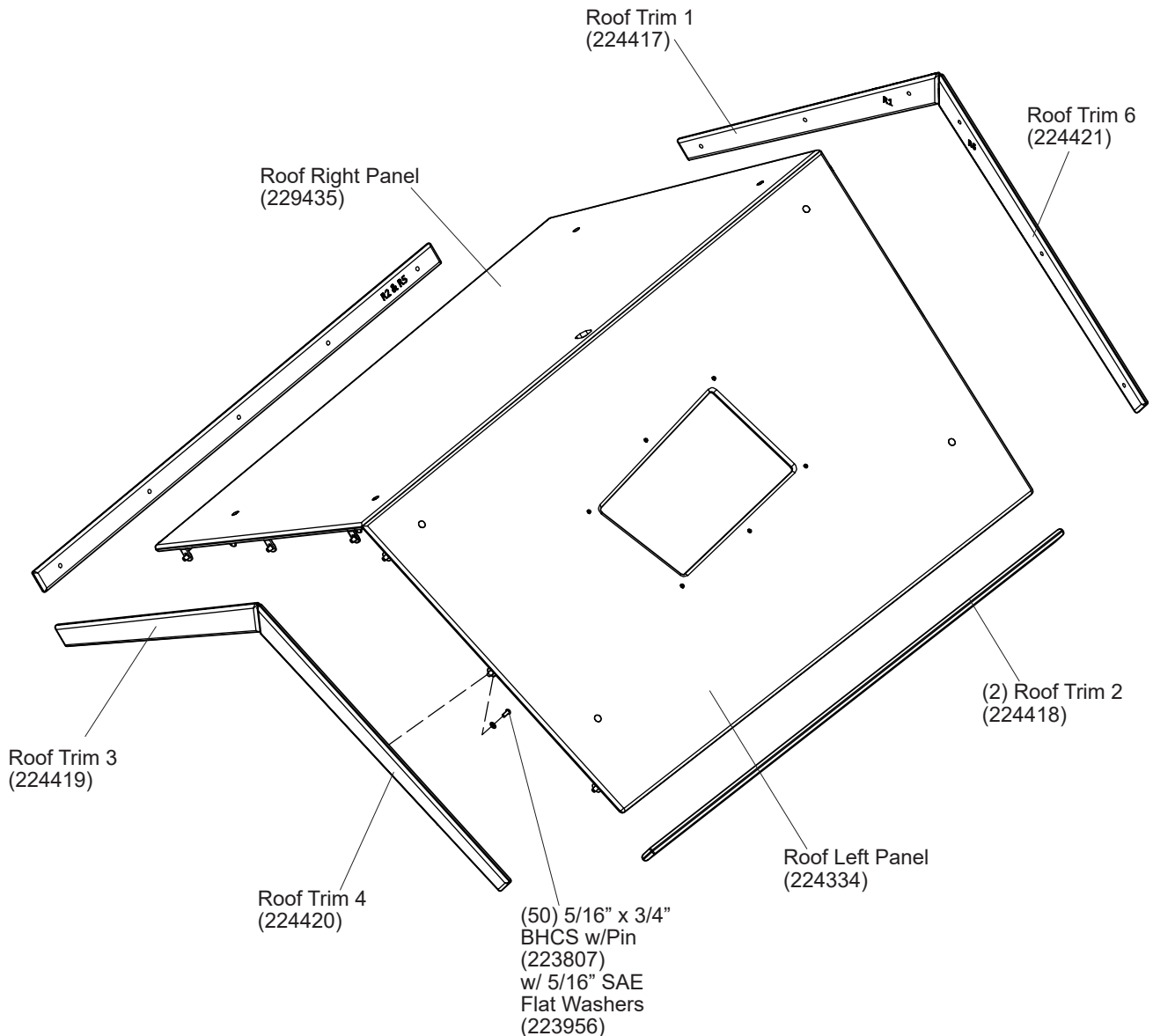
**IMPORTANT! Do not use impact driver on 5/16\" x 3/4\" BHCS w/Pin. Torque 5ft-lbs maximum.**



**DETAIL**  
**ROOF TRIM ATTACHMENT**  
(BOTTOM VIEW)



**IMPORTANT! Do not use impact driver on 5/16" x 3/4" BHCS w/Pin. Torque 5ft-lbs maximum.**

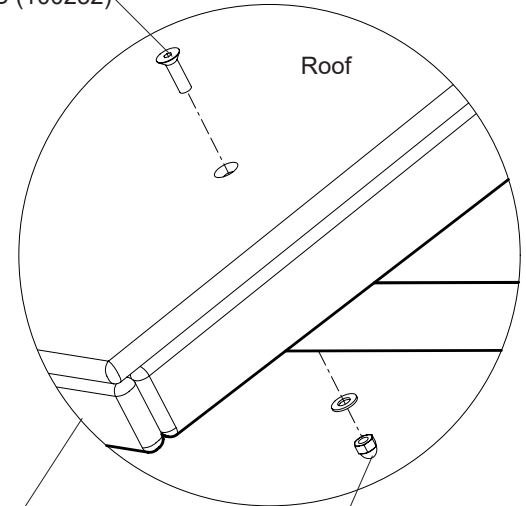


## STEP 7

- 1) Attach roof trim.
- 2) Attach roof panels.

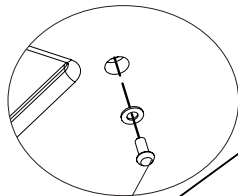
### DETAIL ROOF TO FRAME ATTACHMENT

(8) 3/8" x 1 1/4" FHCS (100252)

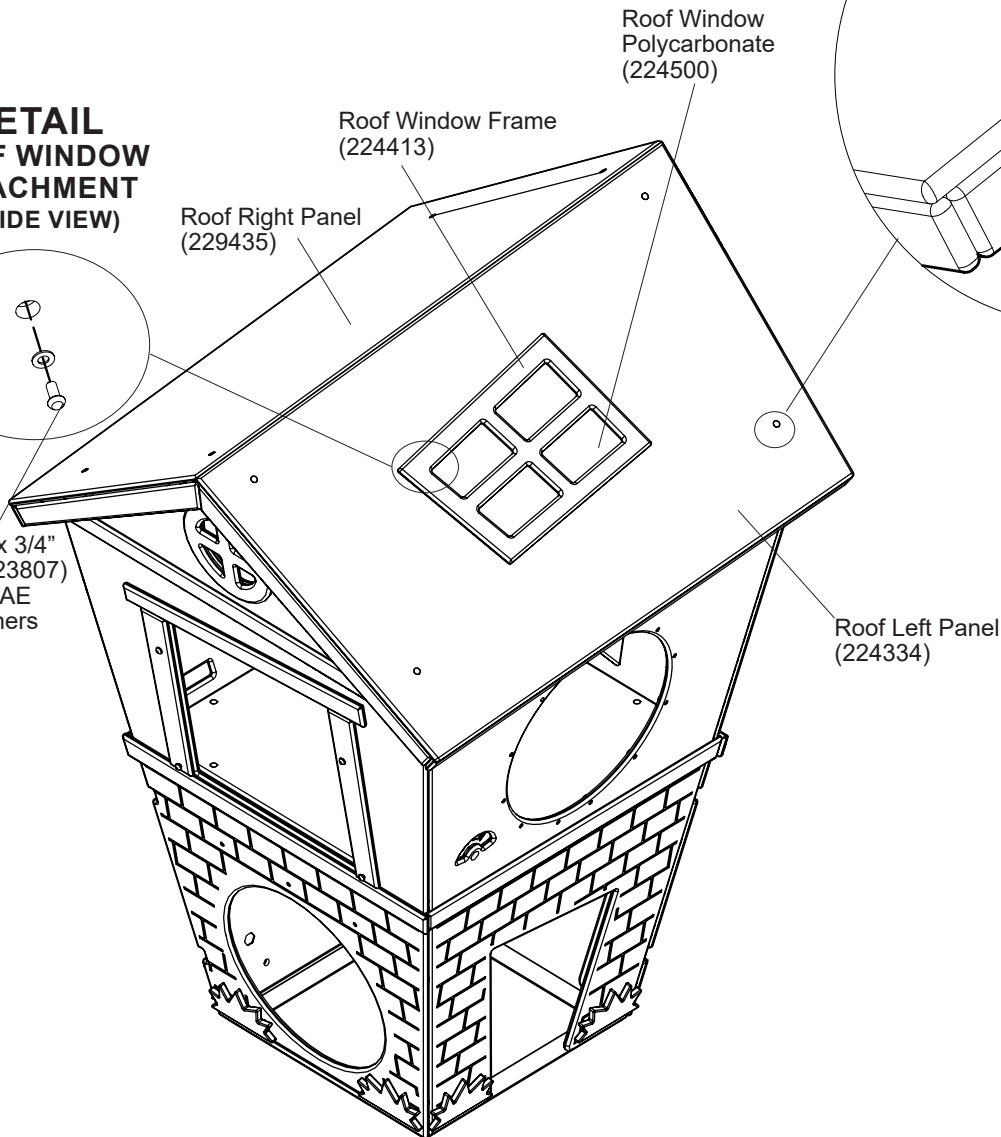


(8) 3/8" Low Crown Cap Nut (100349) w/ 3/8" SAE Flat Washer (100365)

### DETAIL ROOF WINDOW ATTACHMENT (INSIDE VIEW)



(6) 5/16" x 3/4" BHCS (223807) w/5/16" SAE Flat Washers (223956)



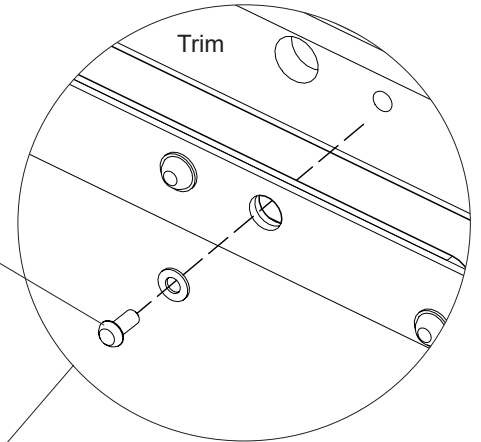
**IMPORTANT!** Do not use impact driver on 5/16" x 3/4" BHCS w/Pin. Torque 5ft-lbs maximum.

## STEP 8

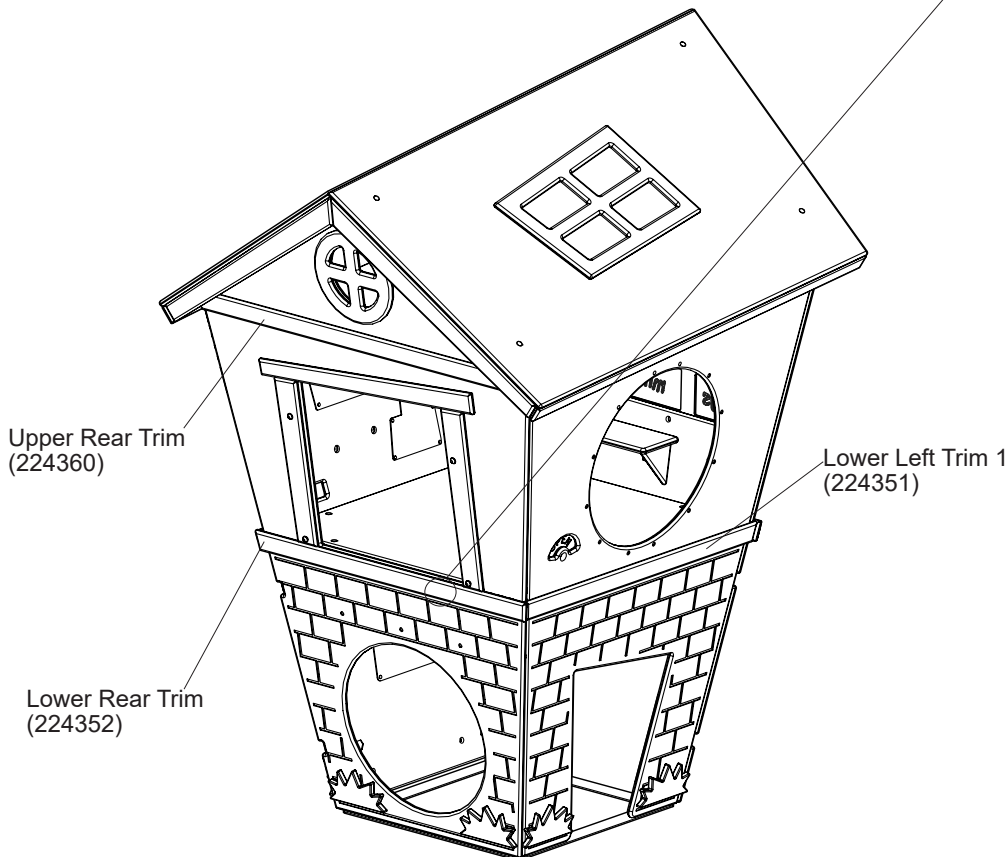
1) Attach trim.

**IMPORTANT! Do not use impact driver on 5/16" x 3/4" BHCS w/Pin. Torque 5ft-lbs maximum.**

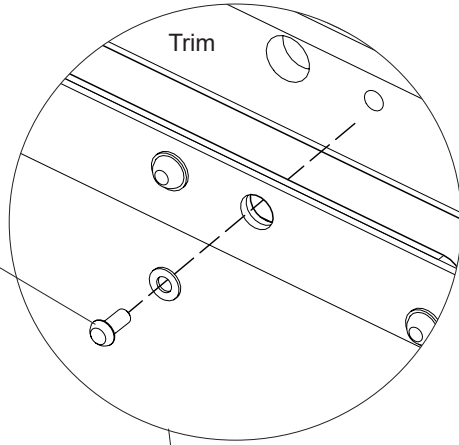
### DETAIL TRIM ATTACHMENT (INSIDE VIEW)



(24) 5/16" x 3/4" BHCS w/Pin (223807) w/ 5/16" SAE Flat Washers (223956)



**DETAIL  
TRIM ATTACHMENT  
(INSIDE VIEW)**



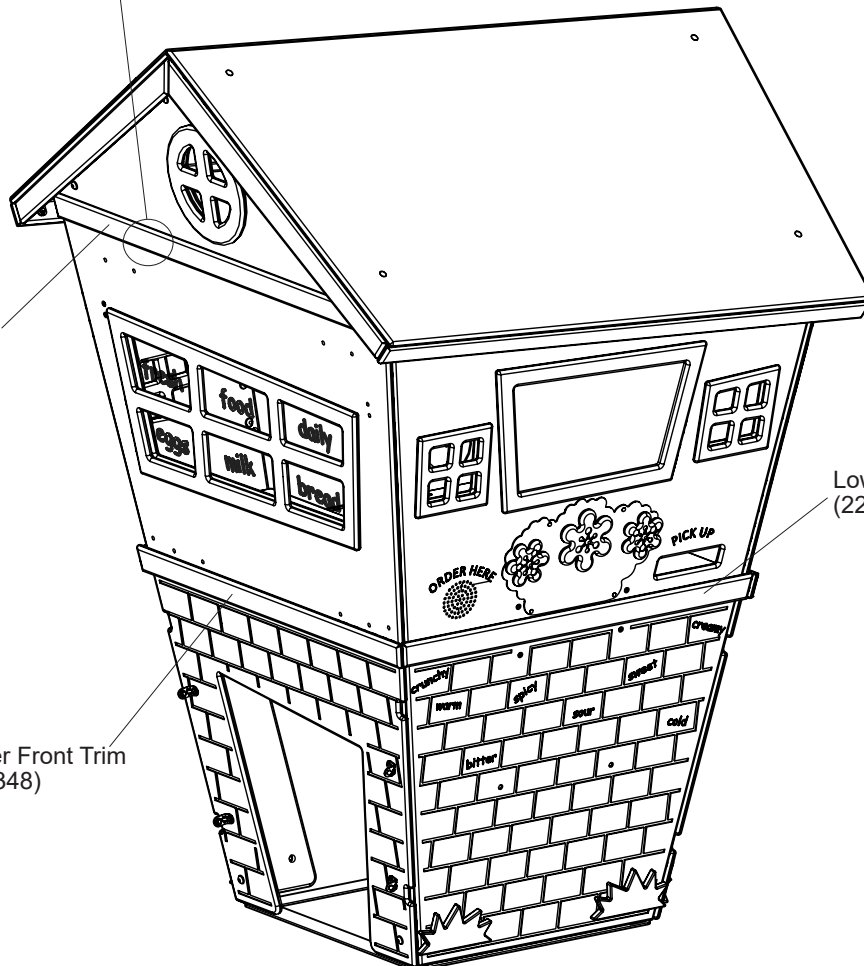
(24) 5/16" x 3/4"  
BHCS w/Pin  
(223807)  
w/ 5/16" SAE  
Flat Washers  
(223956)

**IMPORTANT! Do not use impact driver on 5/16" x 3/4" BHCS w/Pin. Torque 5ft-lbs maximum.**

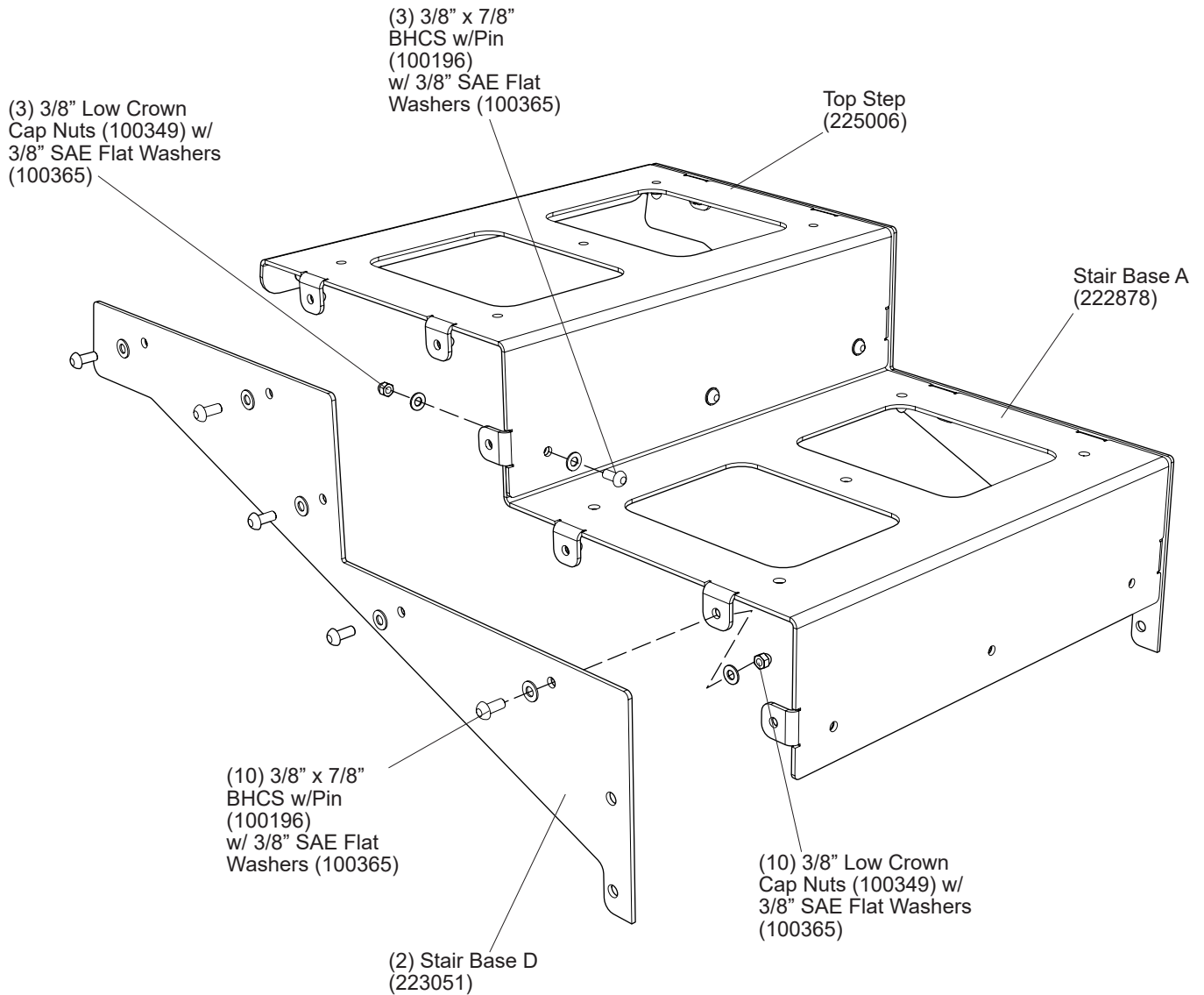
Upper Front Trim  
(224359)

Lower Front Trim  
(224348)

Lower Right Trim  
(224351)



**DETAIL**  
**UPPER STAIR BASE ASSEMBLY**



**DETAIL**  
**LOWER STAIR BASE ASSEMBLY**

**DETAIL**  
**BRACKET ATTACHMENT (SM)**  
**(INSIDE VIEW)**

(2) Brackets (106187)

(2) 3/8" x 7/8" BHCS w/Pin (100196)  
3/8" SAE Flat Washers (100365)

(2) 3/8" Standard Hex Nuts (100327)  
w/ 3/8" SAE Flat Washers (100365)

Transfer Base (224234)

**DETAIL**  
**LEG ATTACHMENT (DB)**  
**(INSIDE VIEW)**

Stair Base B (222973)

(2) 3/8" Standard Hex Nuts (100327)  
w/ 3/8" SAE Flat Washers (100365)

(2) 3/8" x 7/8" BHCS w/Pin (100196)  
3/8" SAE Flat Washers (100365)

Leg (185609)

(3) 3/8" Low Crown Cap Nuts (100349)  
w/ 3/8" SAE Flat Washers (100365)

(3) 3/8" x 7/8" BHCS w/Pin (100196)  
3/8" SAE Flat Washers (100365)

(2) Step Side Plates (224276)

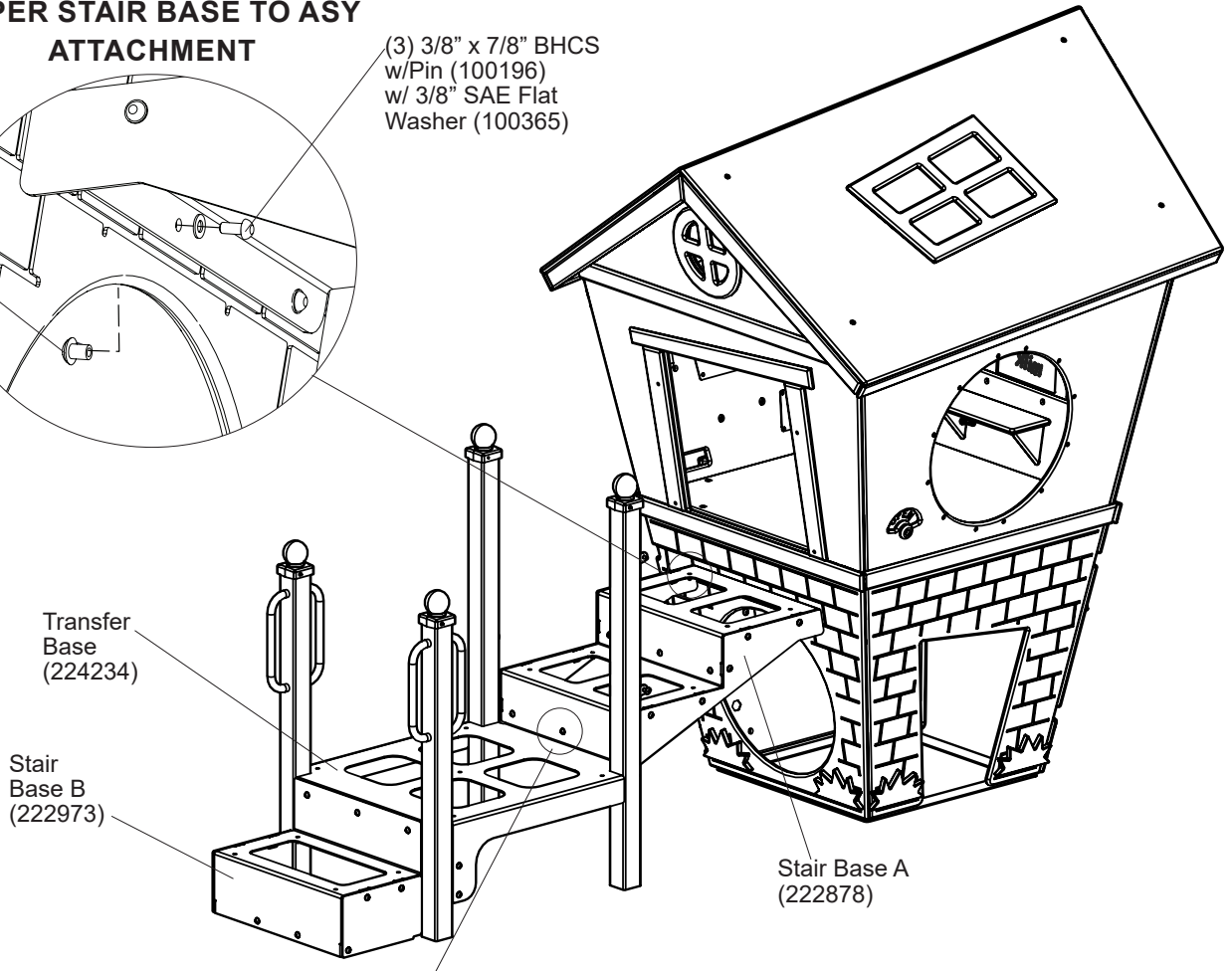
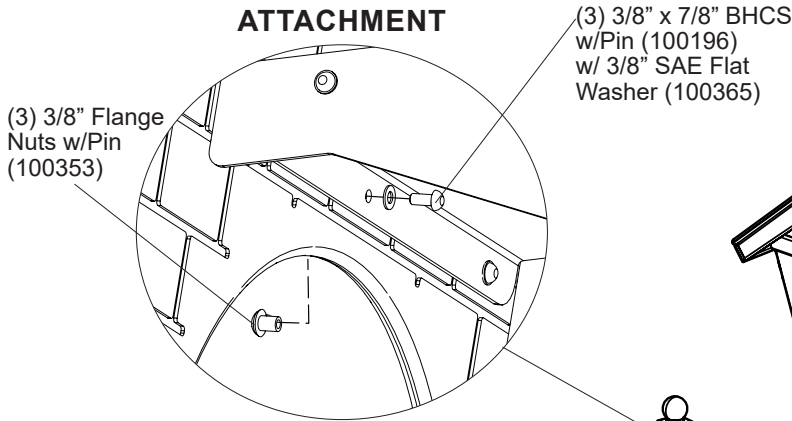
(6) 3/8" x 7/8" BHCS w/Pin (100196)  
w/ 3/8" SAE Flat Washer (100365)

(6) 3/8" Low Crown Cap Nuts (100349)  
w/ 3/8" SAE Flat Washers (100365)

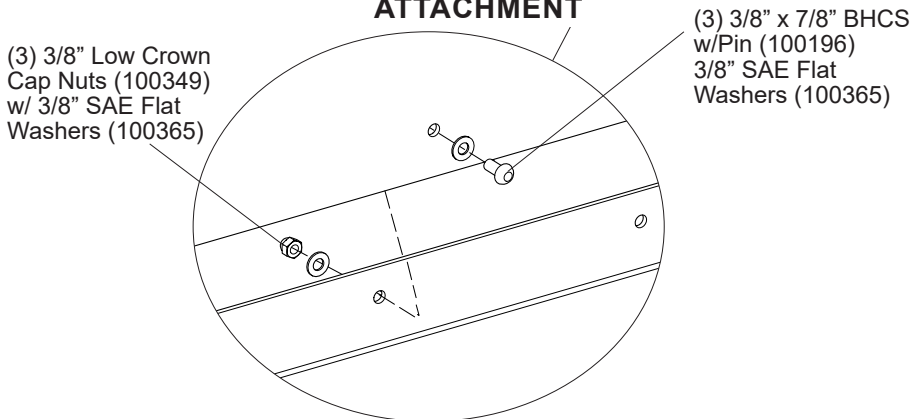
Stair Base B (222973)

**DETAIL**  
**UPPER & LOWER STAIR BASE**  
**ASSEMBLY**

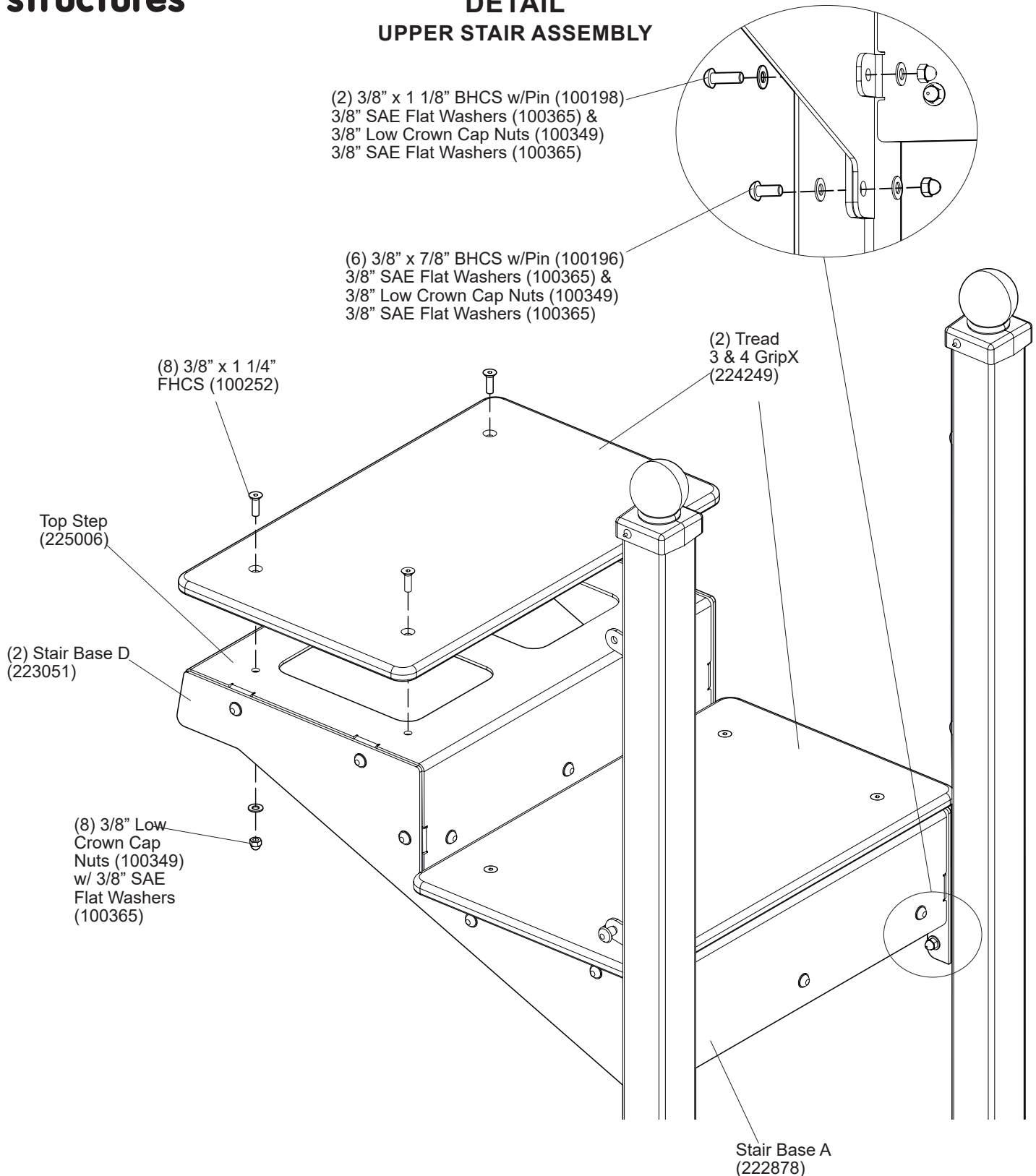
**DETAIL**  
**UPPER STAIR BASE TO ASY**  
**ATTACHMENT**



**DETAIL**  
**UPPER & LOWER STAIR BASE**  
**ATTACHMENT**

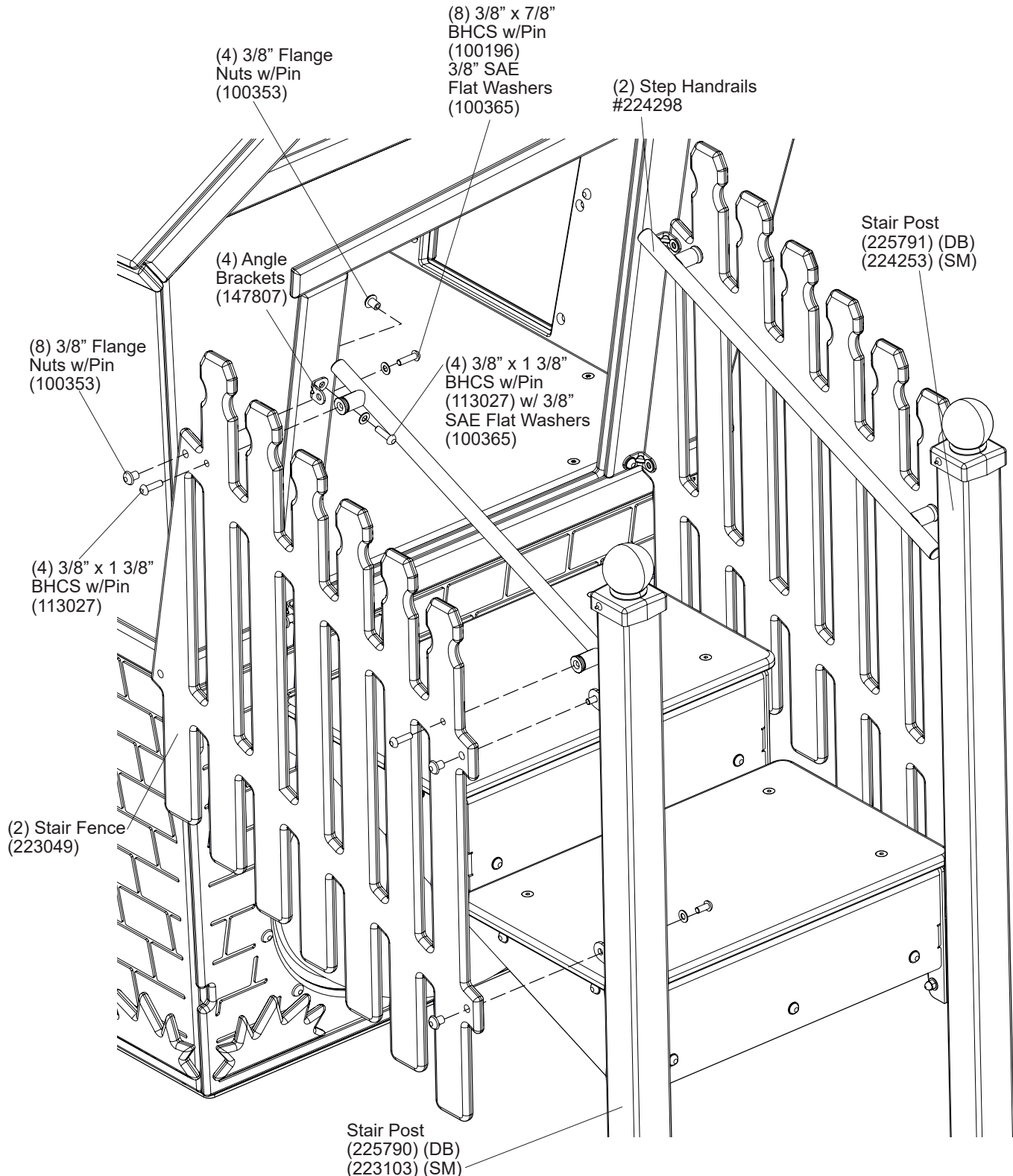


**DETAIL  
UPPER STAIR ASSEMBLY**

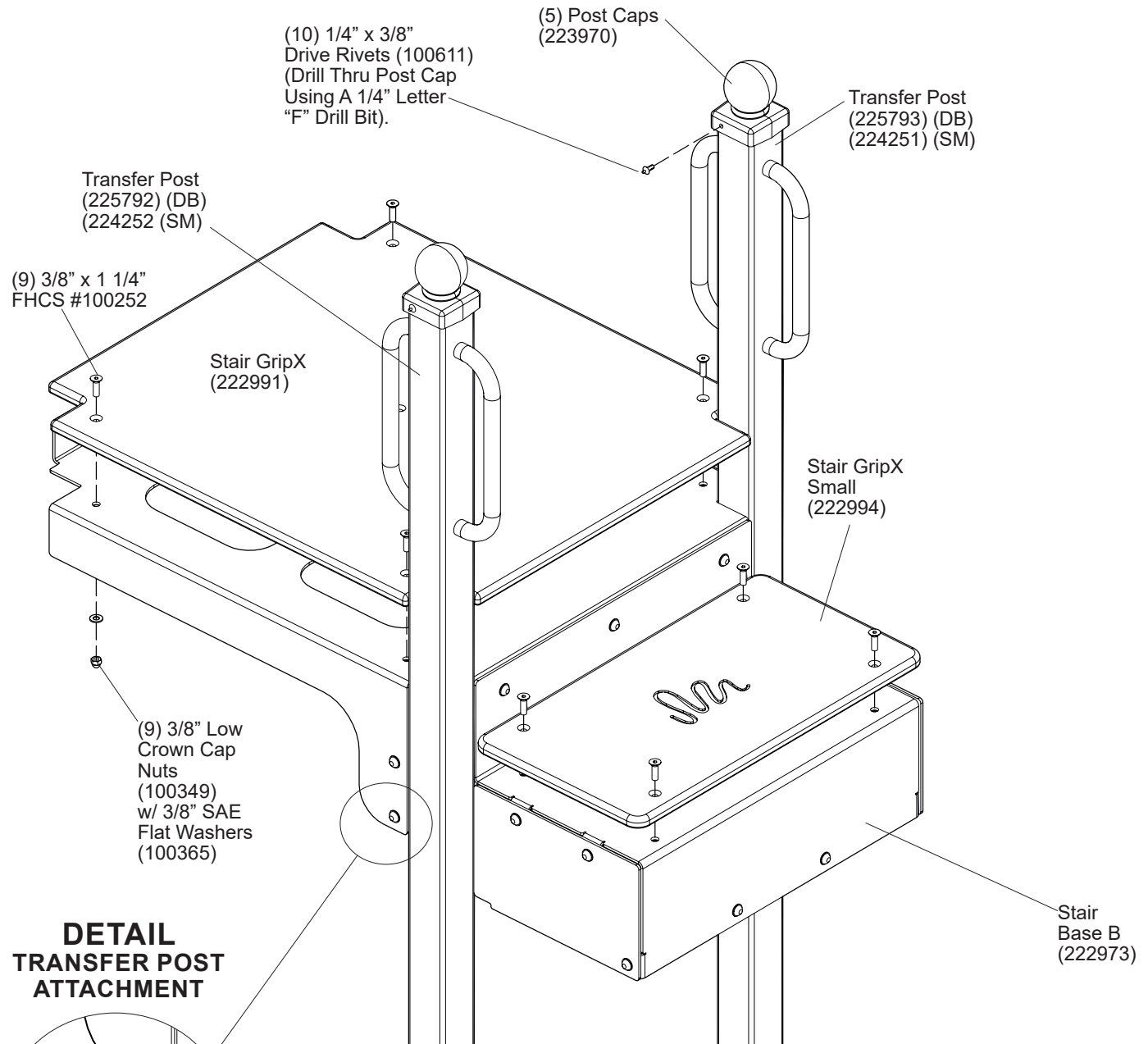




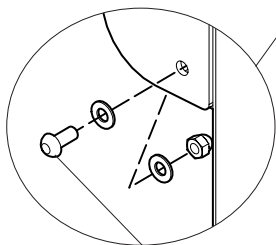
**DETAIL  
FENCE ASSEMBLY**



**DETAIL  
LOWER STAIR ASSEMBLY**

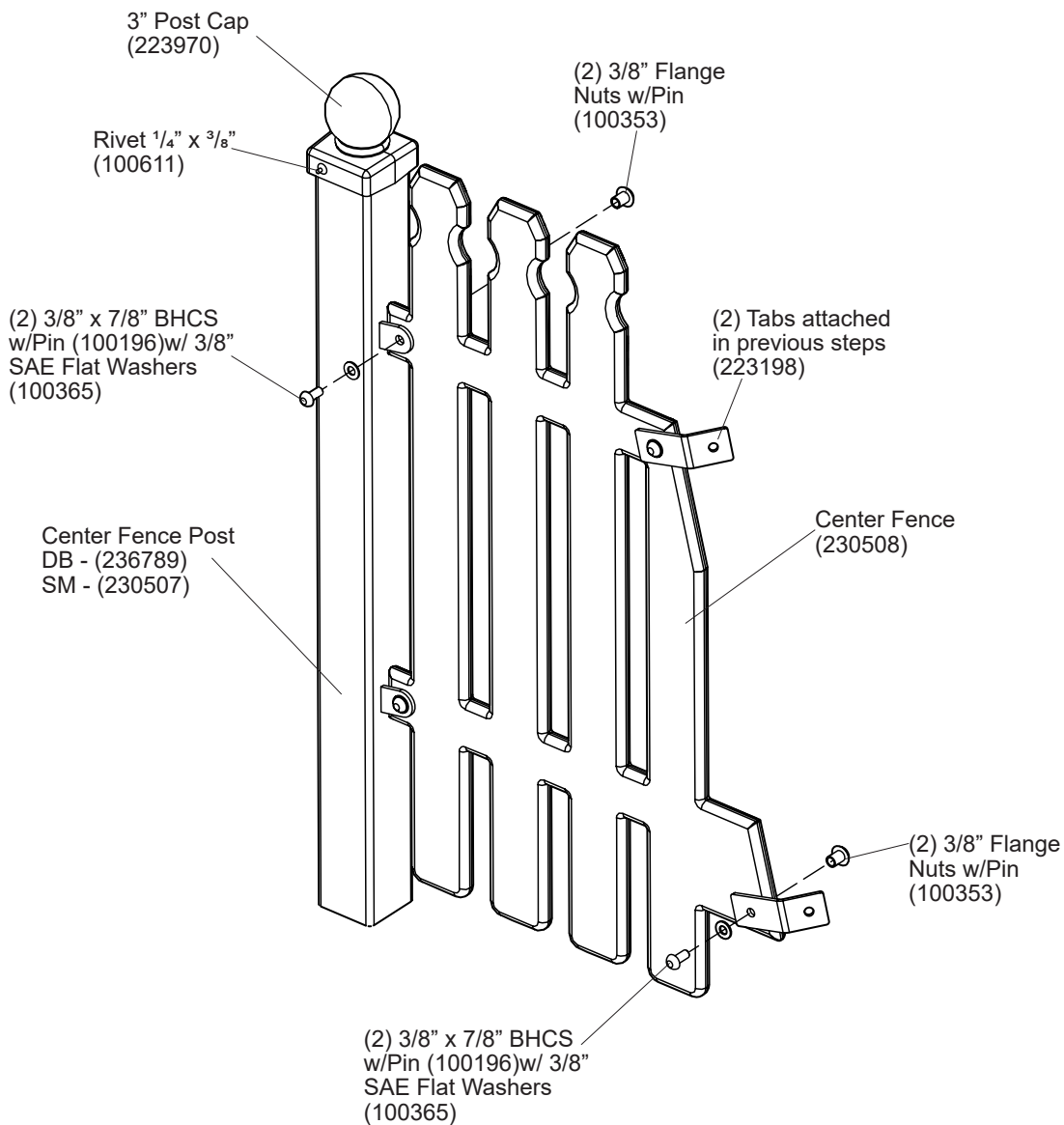


**DETAIL  
TRANSFER POST  
ATTACHMENT**

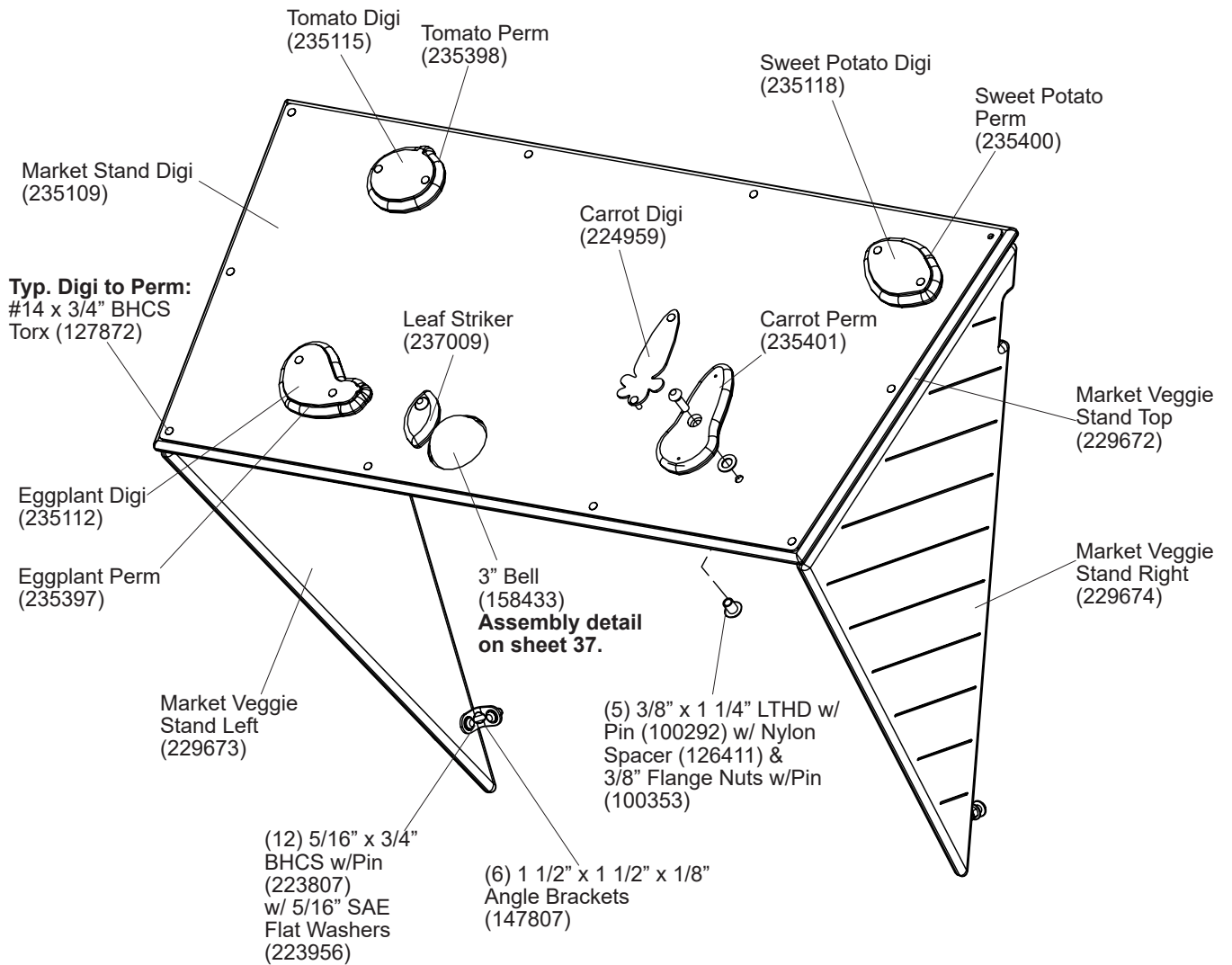


- (4) 3/8" x 7/8" BHCS w/Pin (100196)  
 3/8" SAE Flat Washers (100365) &  
 3/8" Low Crown Cap Nuts (100349)  
 3/8" SAE Flat Washers (100365)

**DETAIL**  
**CENTER FENCE ASSEMBLY**



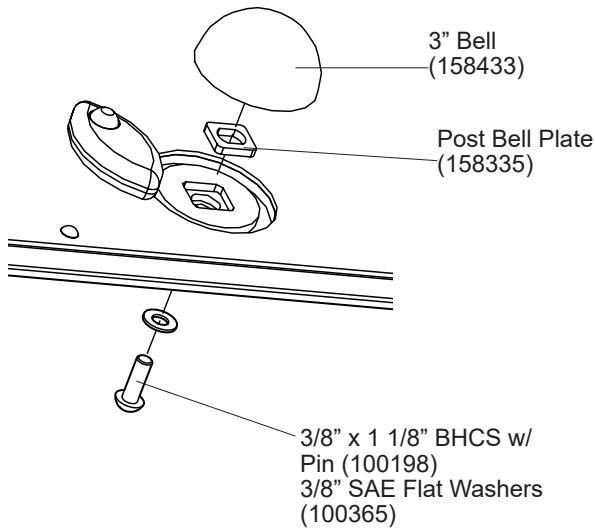
**DETAIL  
MARKET STAND ASSEMBLY**



**IMPORTANT! Do not use impact driver on 5/16" x 3/4" BHCS w/Pin. Torque 5ft-lbs maximum.**

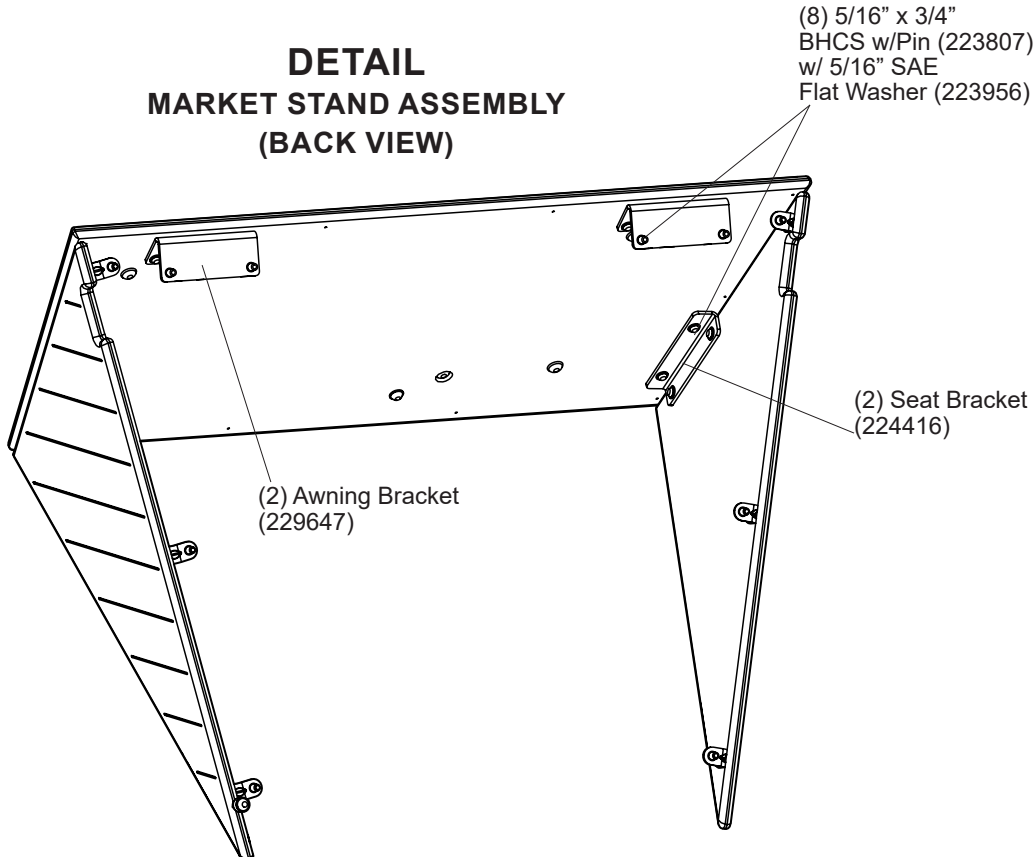
**DETAIL  
MARKET STAND ASSEMBLY**

**DETAIL  
BELL ASSEMBLY**

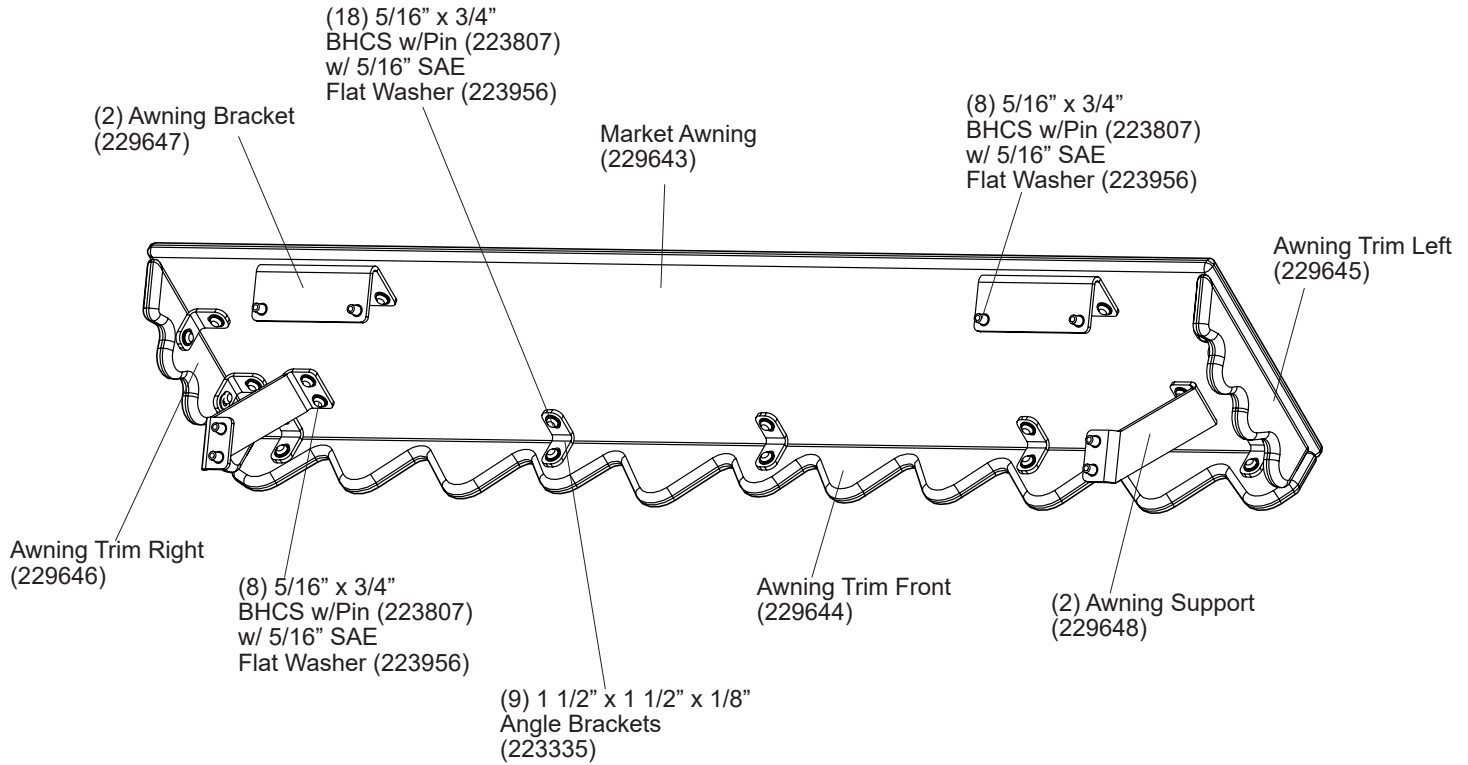


**IMPORTANT! Do not use impact driver on 5/16" x 3/4" BHCS w/Pin. Torque 5ft-lbs maximum.**

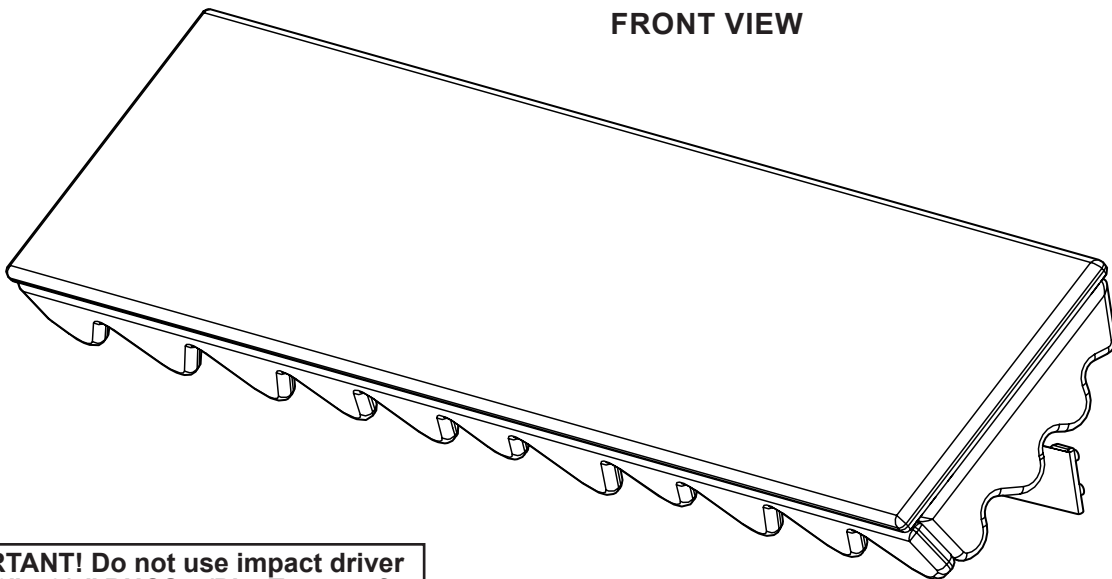
**DETAIL  
MARKET STAND ASSEMBLY  
(BACK VIEW)**



**DETAIL  
MARKET AWNING ASSEMBLY**



**DETAIL  
FRONT VIEW**

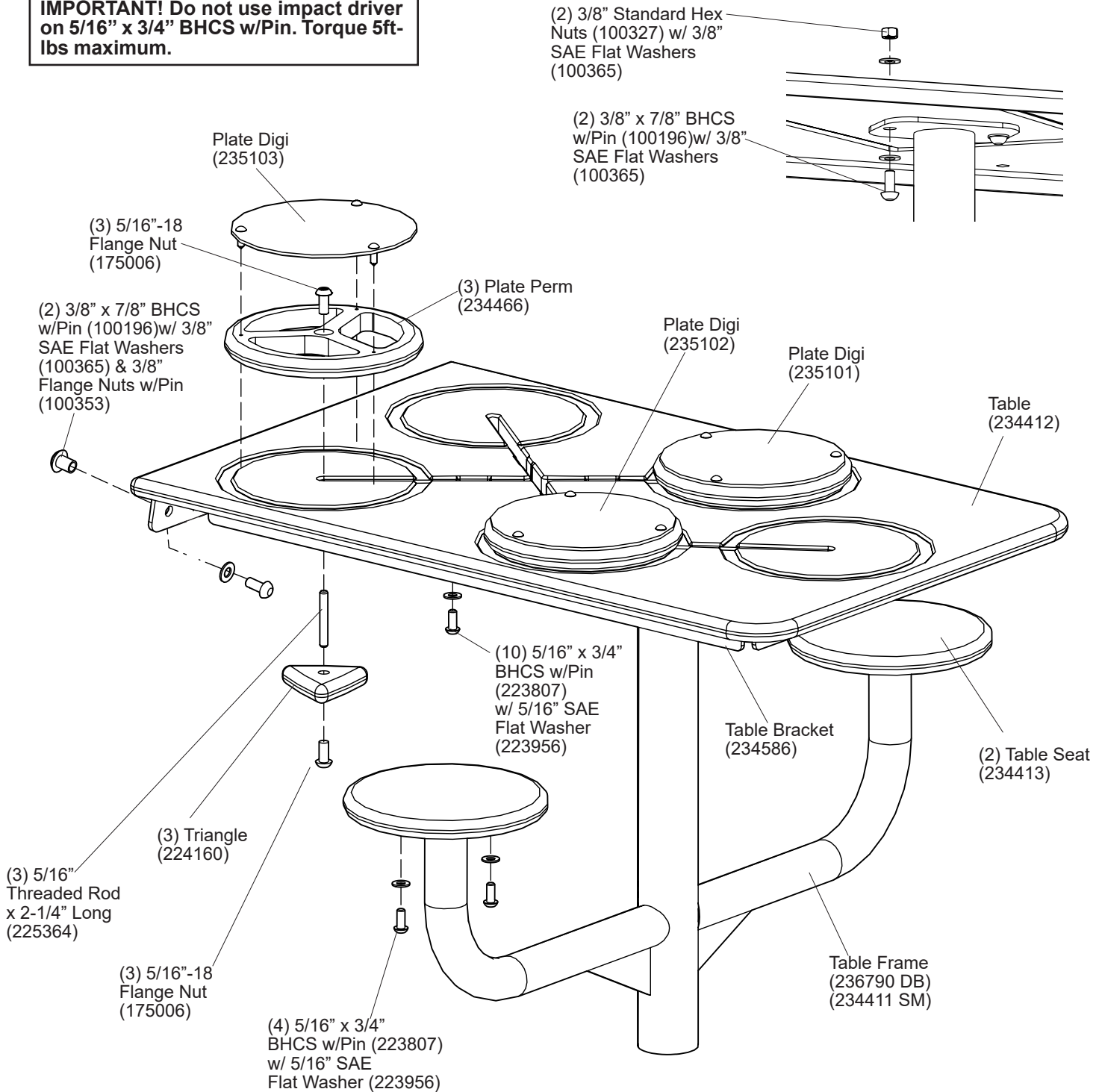


**IMPORTANT! Do not use impact driver on 5/16" x 3/4" BHCS w/Pin. Torque 5ft-lbs maximum.**

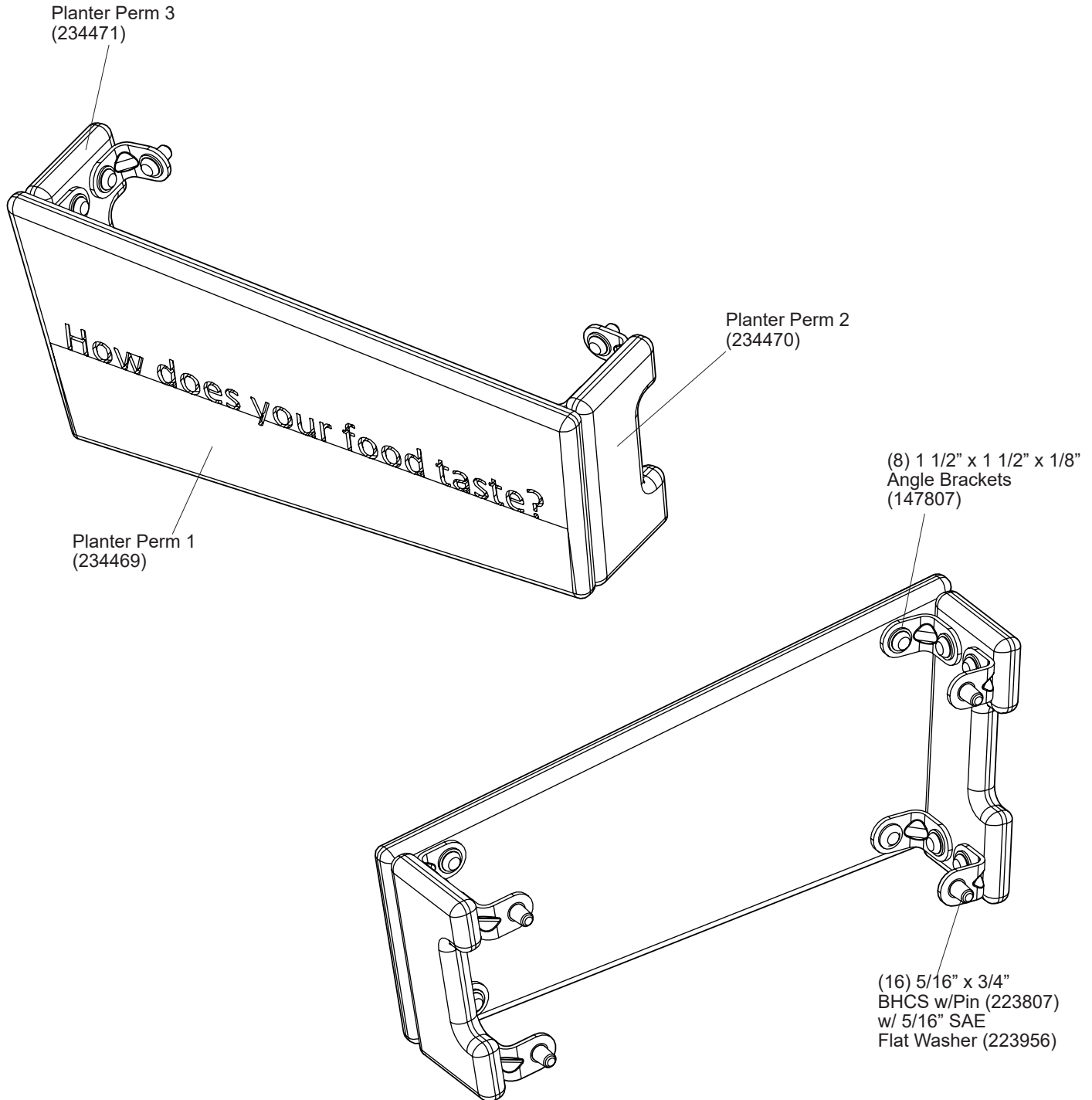
**DETAIL**  
**MARKET TABLE ASSEMBLY**  
**HDW PKG 238298**

**DETAIL**  
**TABLE FRAME/BRACKET**  
**ATTACHMENT**

**IMPORTANT! Do not use impact driver on 5/16" x 3/4" BHCS w/Pin. Torque 5ft-lbs maximum.**



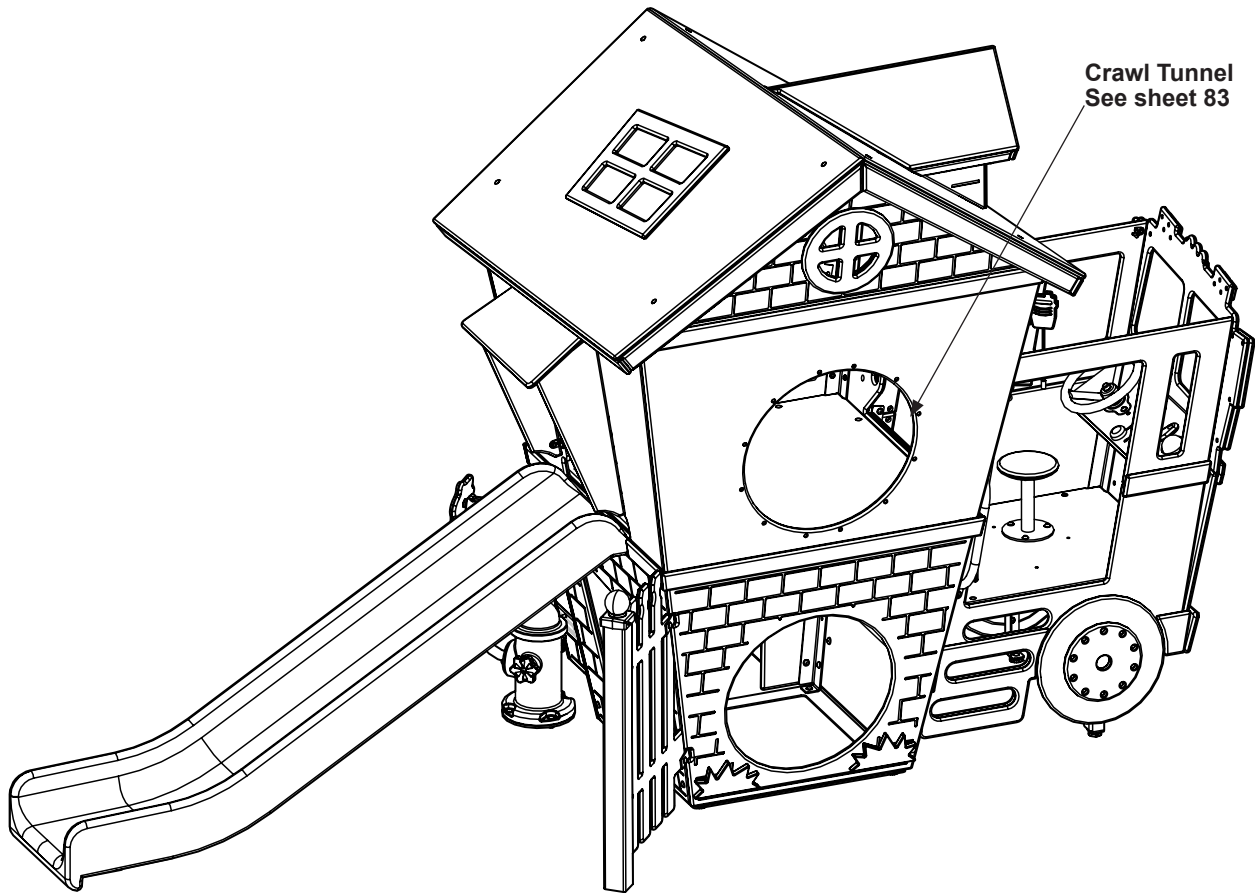
**DETAIL**  
**MARKET PLANTER ASSEMBLY**  
**HDW PKG 238898**



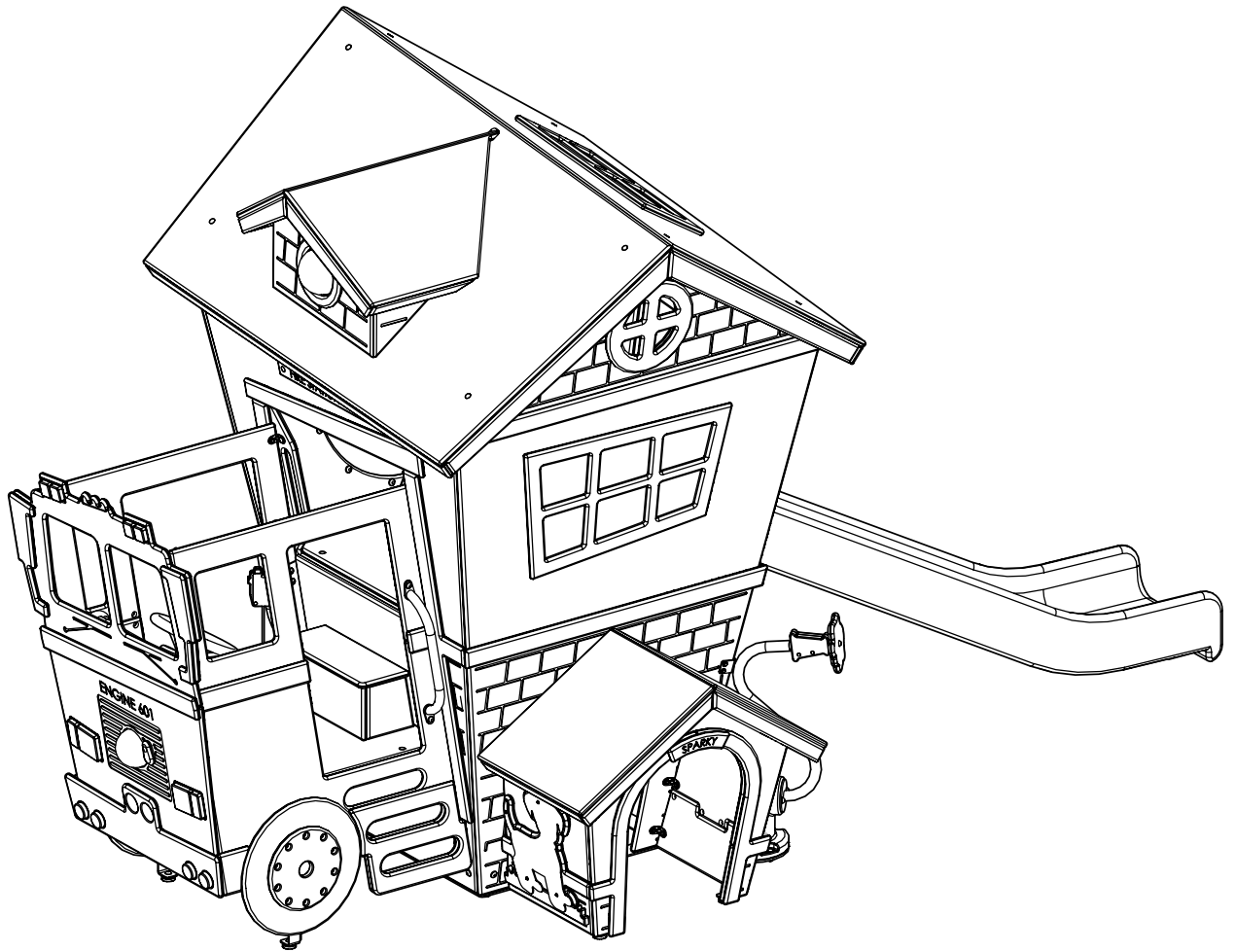
**IMPORTANT! Do not use impact driver on 5/16" x 3/4" BHCS w/Pin. Torque 5ft-lbs maximum.**



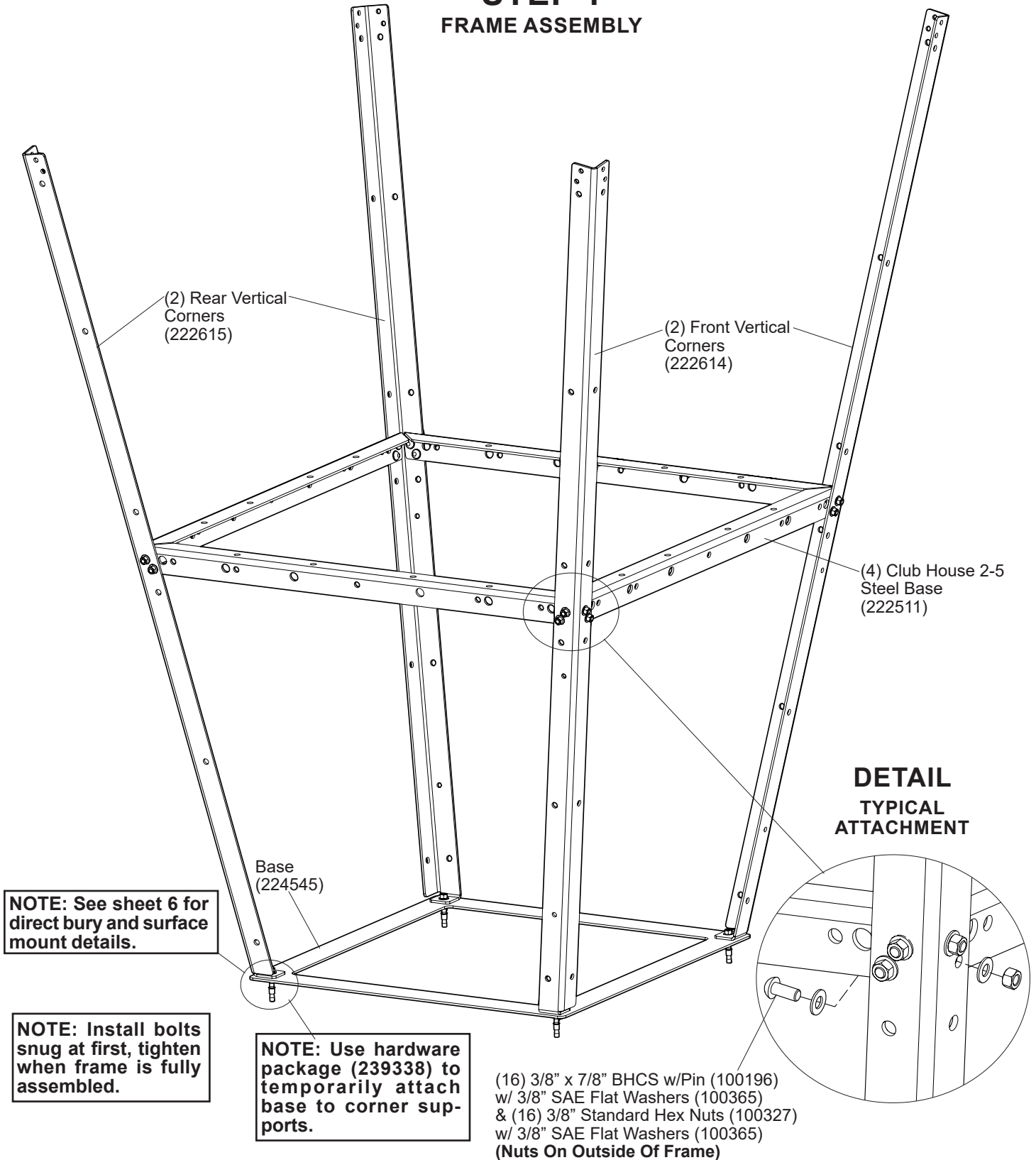
**FIRE STATION  
(FRONT VIEW)**

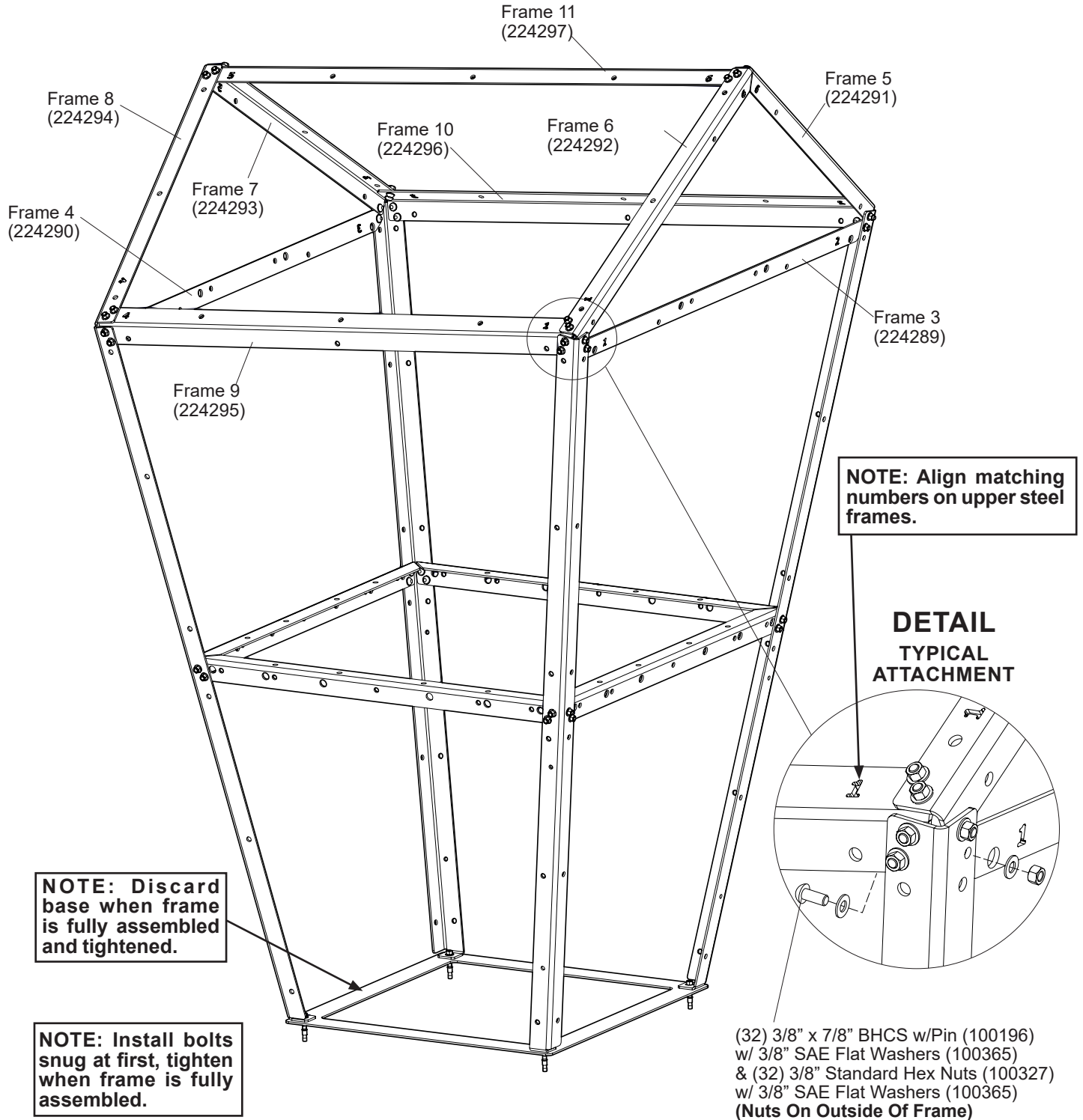


**FIRE STATION  
(BACK VIEW)**



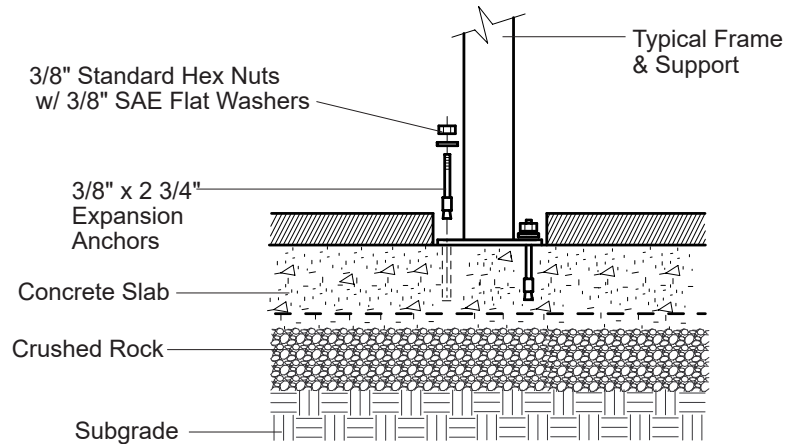
**STEP 1**  
**FRAME ASSEMBLY**



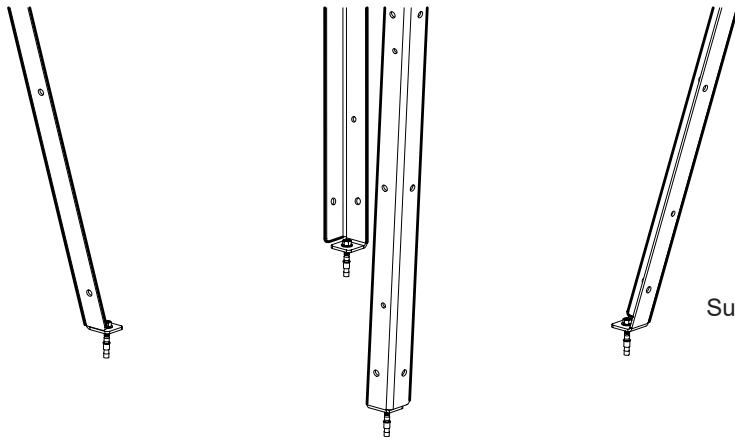


- 1) **(Surface Mount)** After frame has been assembled and placed in final location, drill 3/8" x 3" deep holes through frame tabs into concrete slab using 3/8" masonry bit and hammer drill. Tap 3/8" x 2 3/4" expansion anchors into drilled holes and fasten with 3/8" standard hex nuts and 3/8" SAE flat washers.
- 2) **(Direct Bury)** After frame has been assembled, remove base and attach direct bury legs.

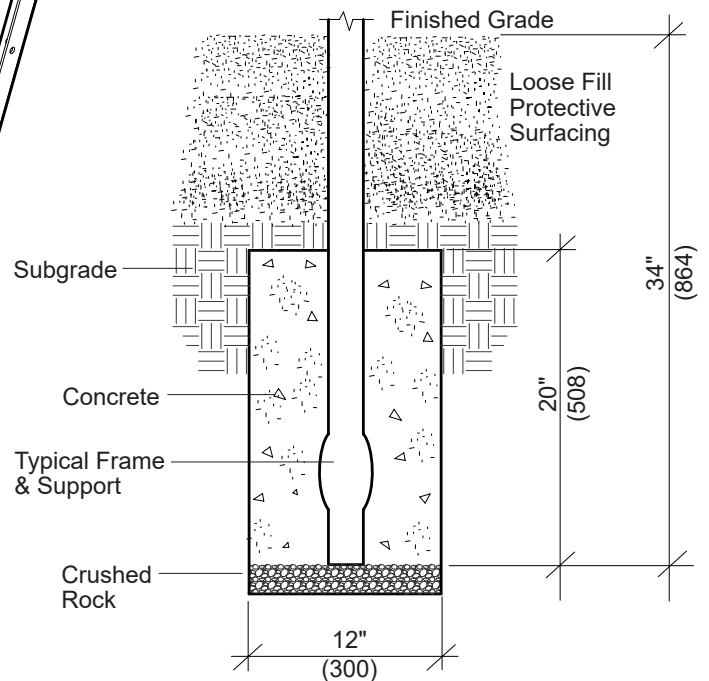
### DETAIL SURFACE MOUNT



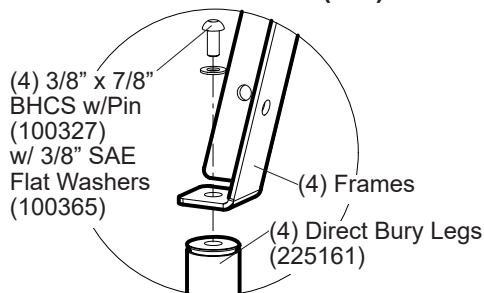
### DETAIL FRAME W/ANCHORS (SM)



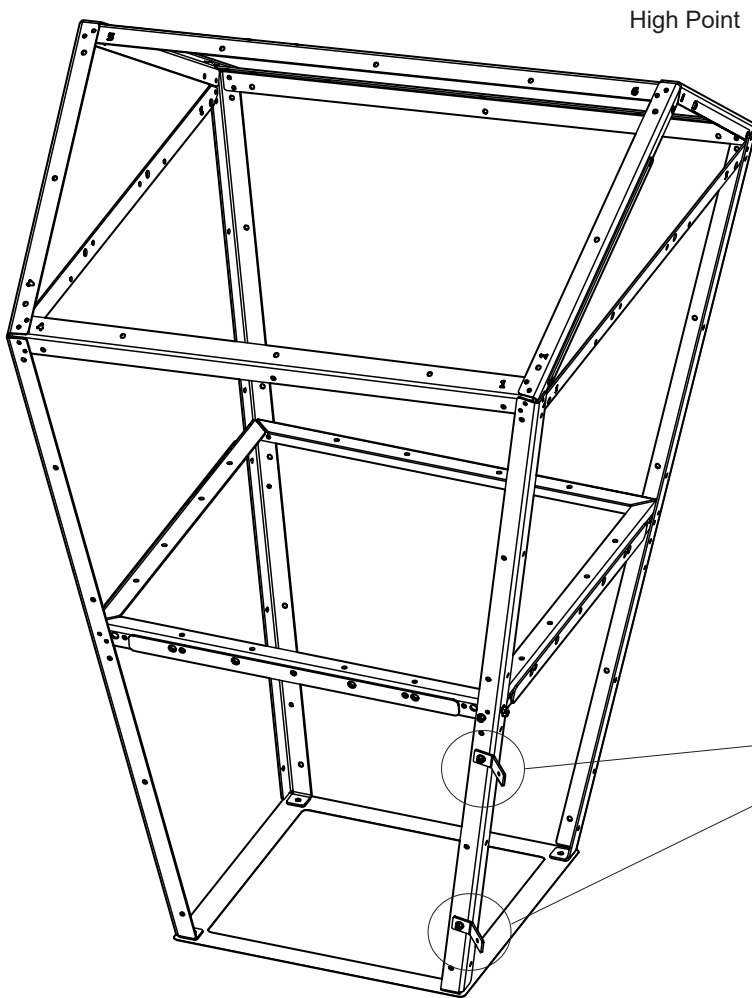
### DETAIL DIRECT BURY



### DETAIL LEG ATTACHMENT (DB)

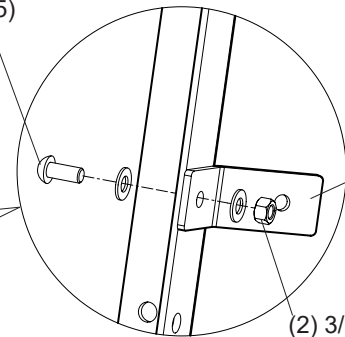


1) Attach tabs to frame.



**DETAIL  
 TAB ATTACHMENT**

(2) 3/8" x 7/8" BHCS w/Pin  
 (100196)  
 w/3/8" SAE Flat Washers  
 (100365)



(2) Frame  
 Tabs  
 (223198)  
 (White)

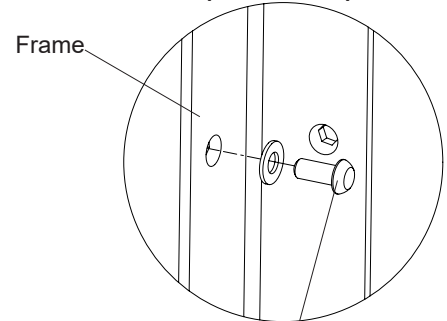
(2) 3/8" Standard  
 Hex Nuts  
 (100327)  
 w/ 3/8" SAE Flat  
 Washers  
 (100365)

## STEP 2

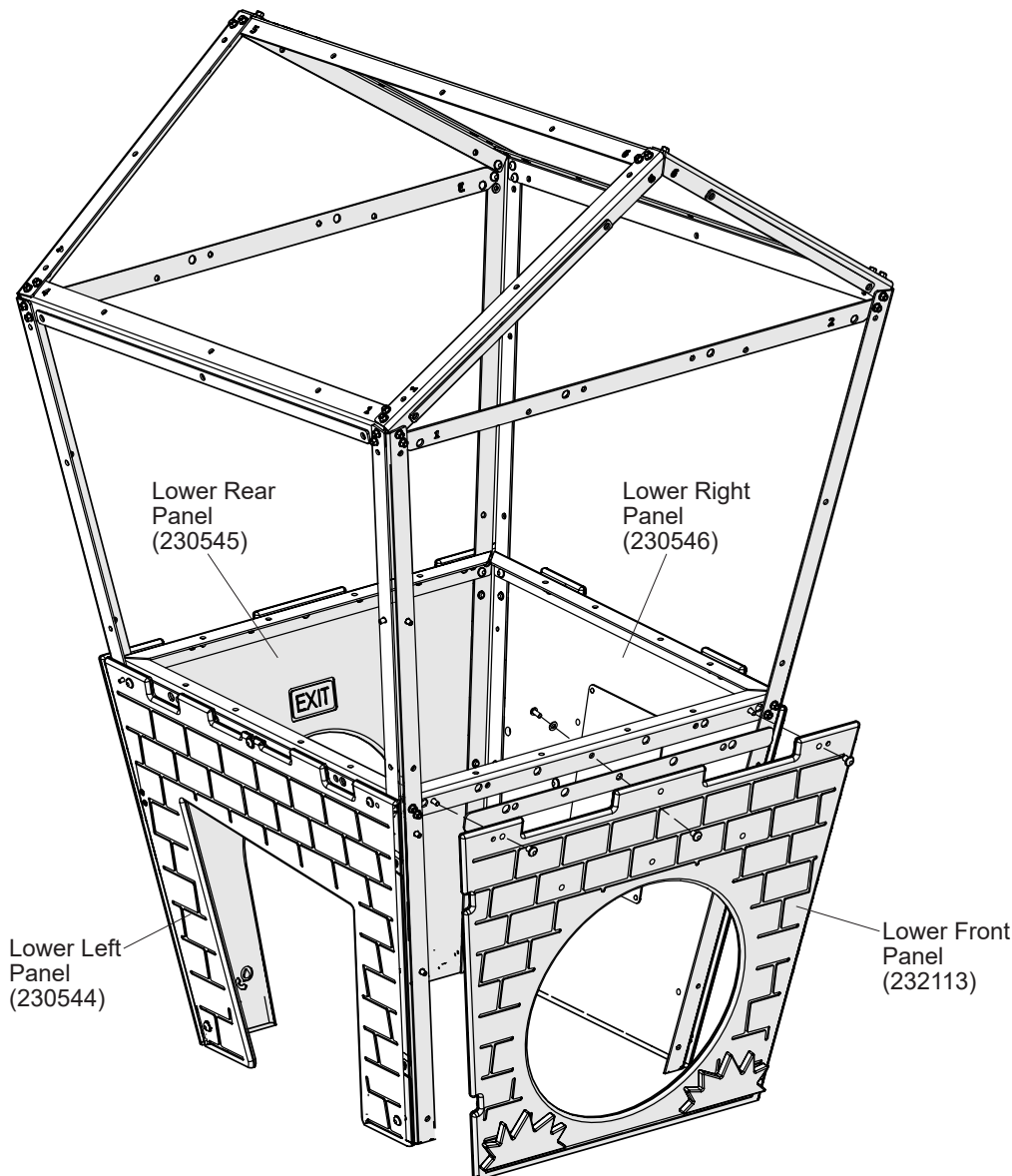
1) Attach lower panels.

**IMPORTANT! Do not use impact driver on 5/16" x 3/4" BHCS w/Pin. Torque 5ft-lbs maximum.**

### DETAIL PANEL TO FRAME ATTACHMENT (TYPICAL)

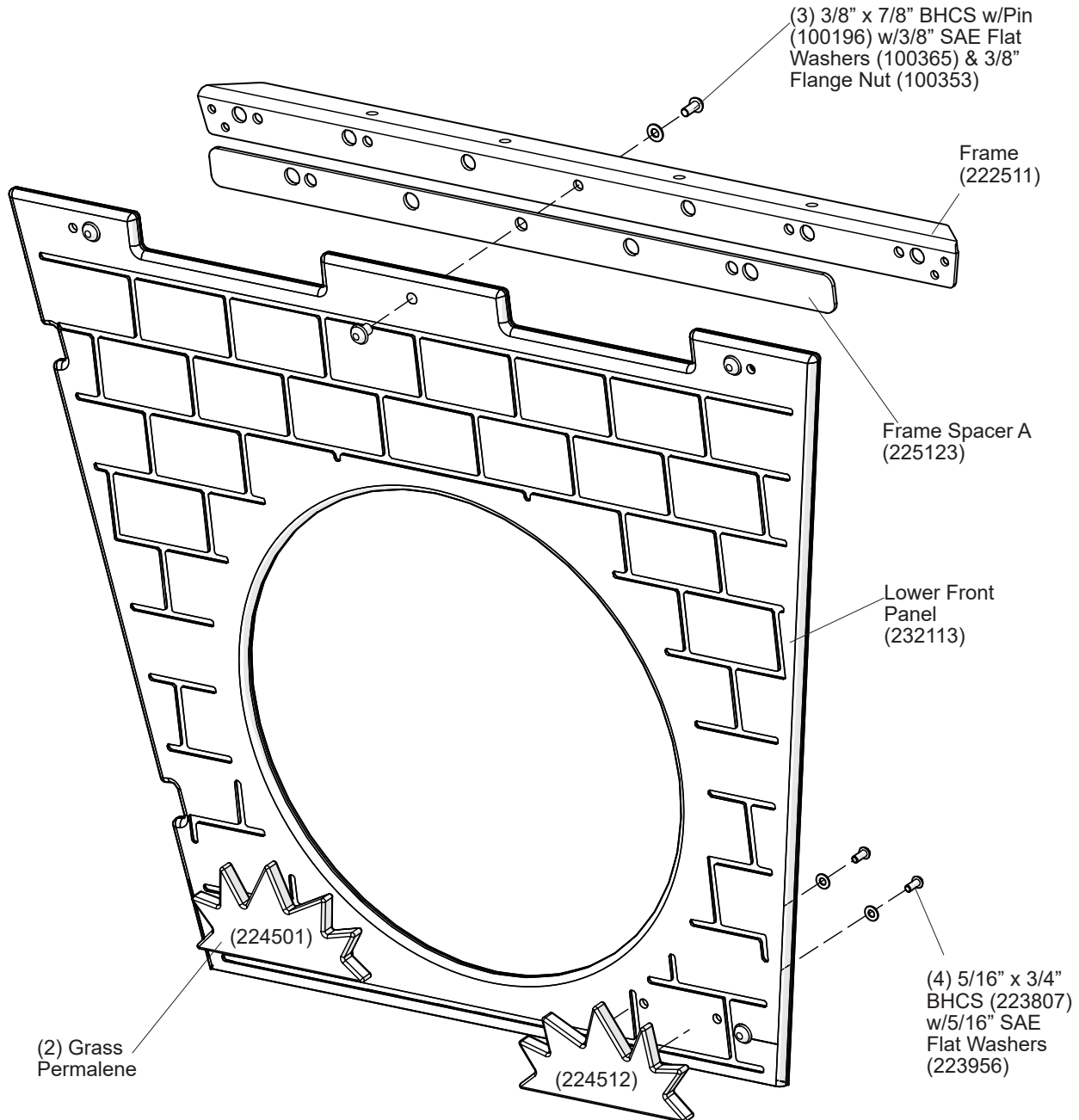


(16) 5/16" x 3/4"  
BHCS w/Pin  
(223807)  
w/ 5/16" SAE  
Flat Washers  
(223956)



**IMPORTANT! Do not use impact driver on 5/16" x 3/4" BHCS w/Pin. Torque 5ft-lbs maximum.**

**DETAIL**  
**LOWER FRONT PANEL ATTACHMENT**

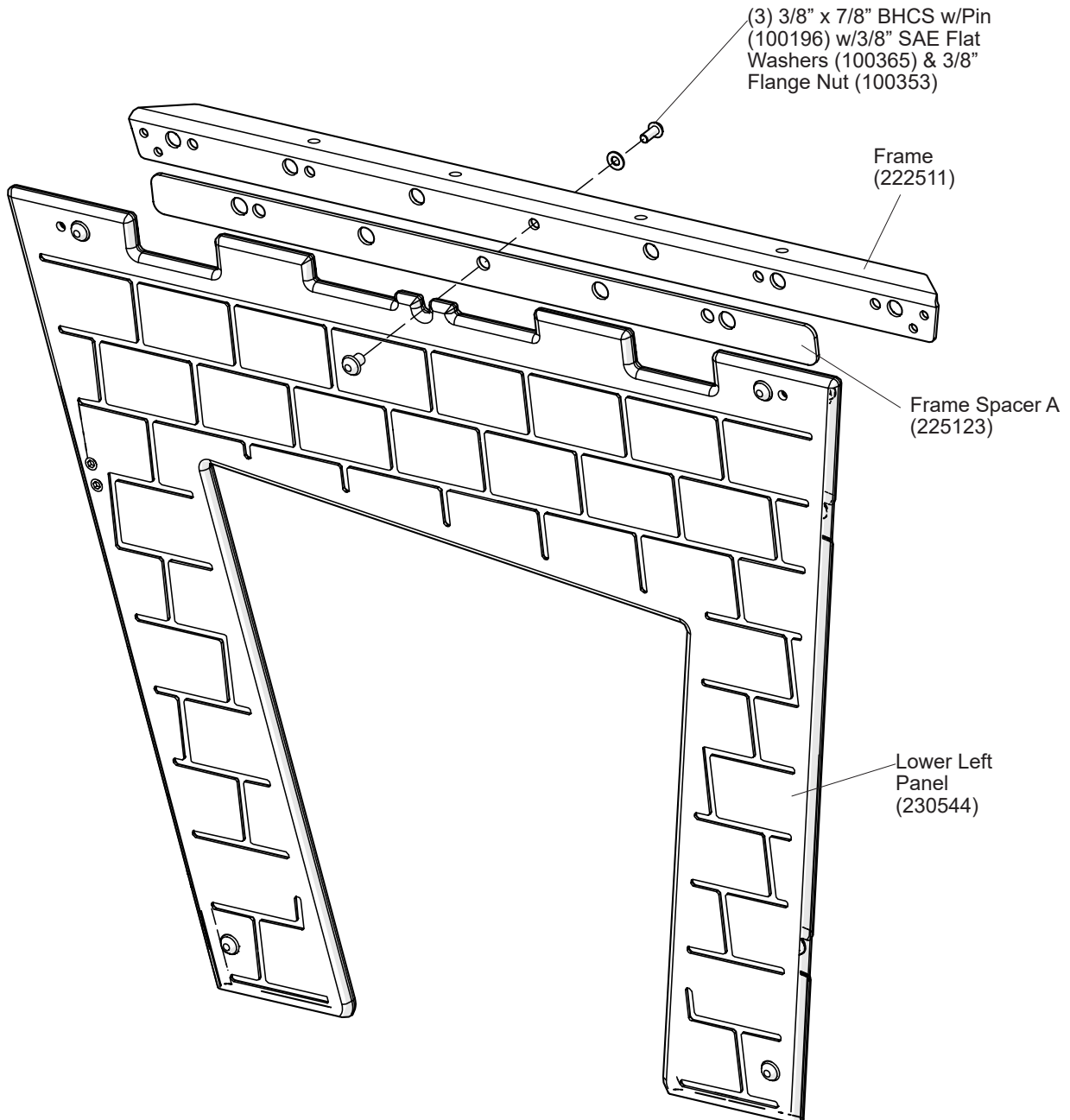


**NOTE: Attach grass Permalene after panel is attached to frame.**

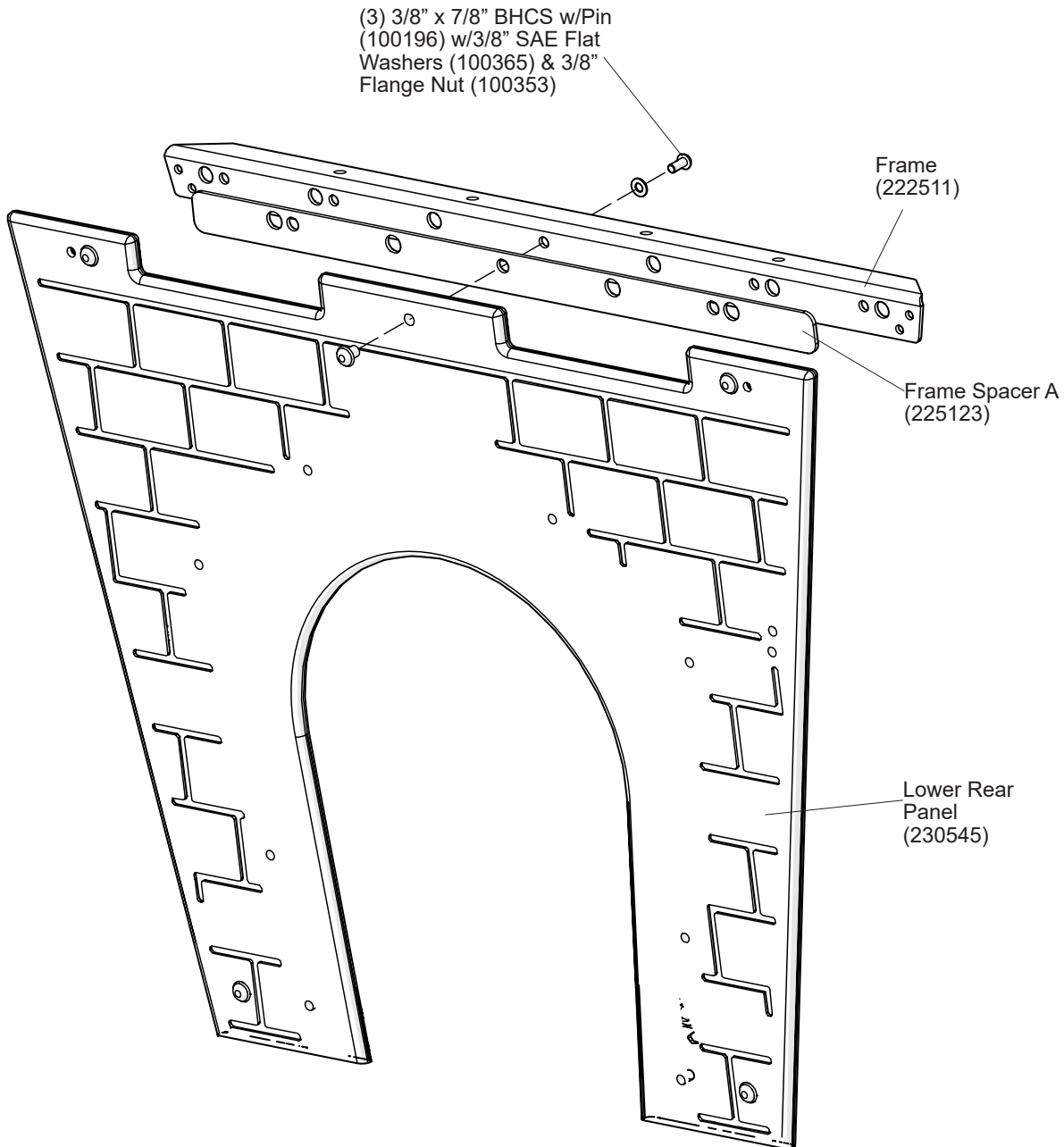
**IMPORTANT! Do not use impact driver on 5/16" x 3/4" BHCS w/Pin. Torque 5ft-lbs maximum.**



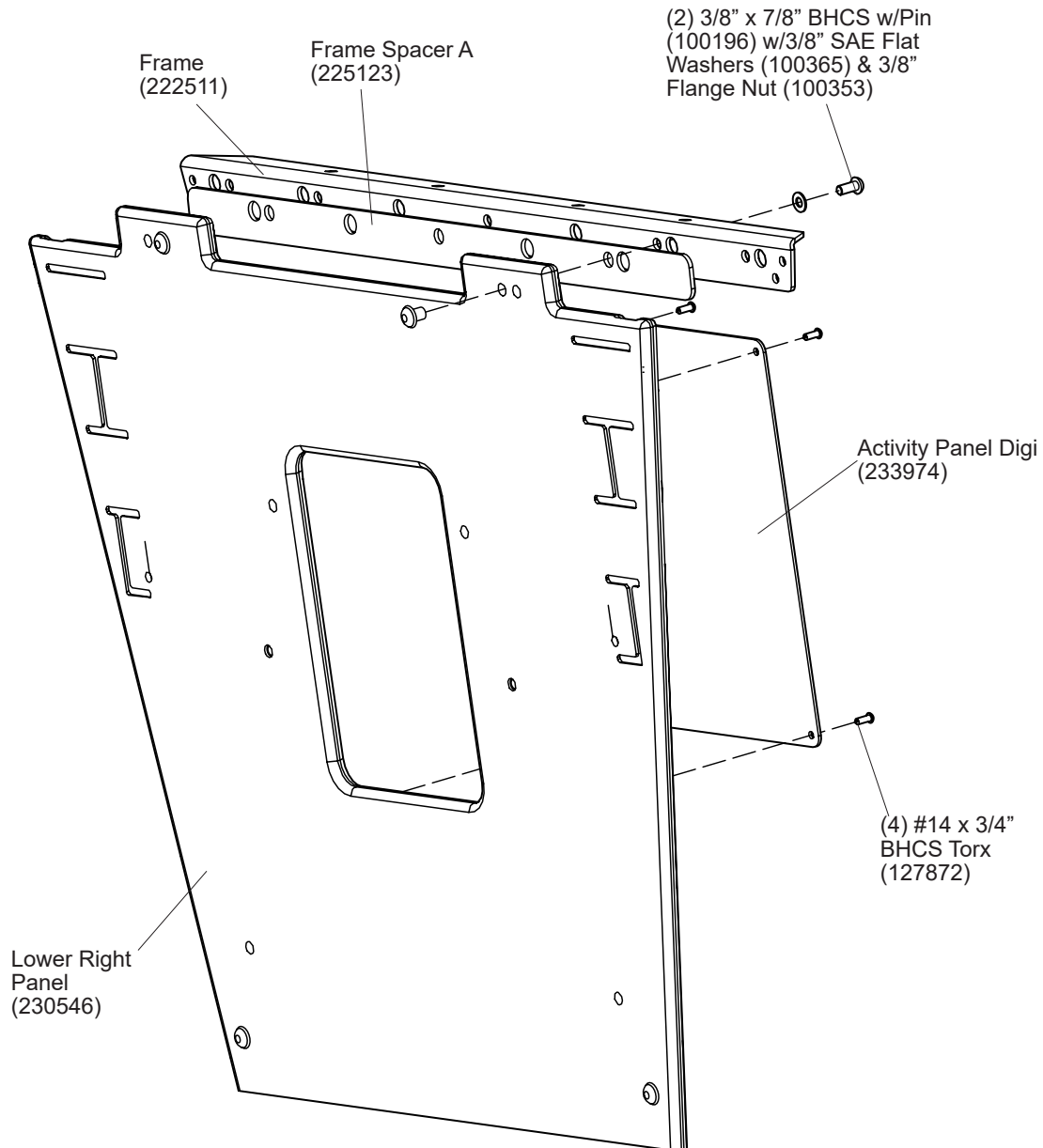
**DETAIL**  
**LOWER LEFT PANEL ATTACHMENT**



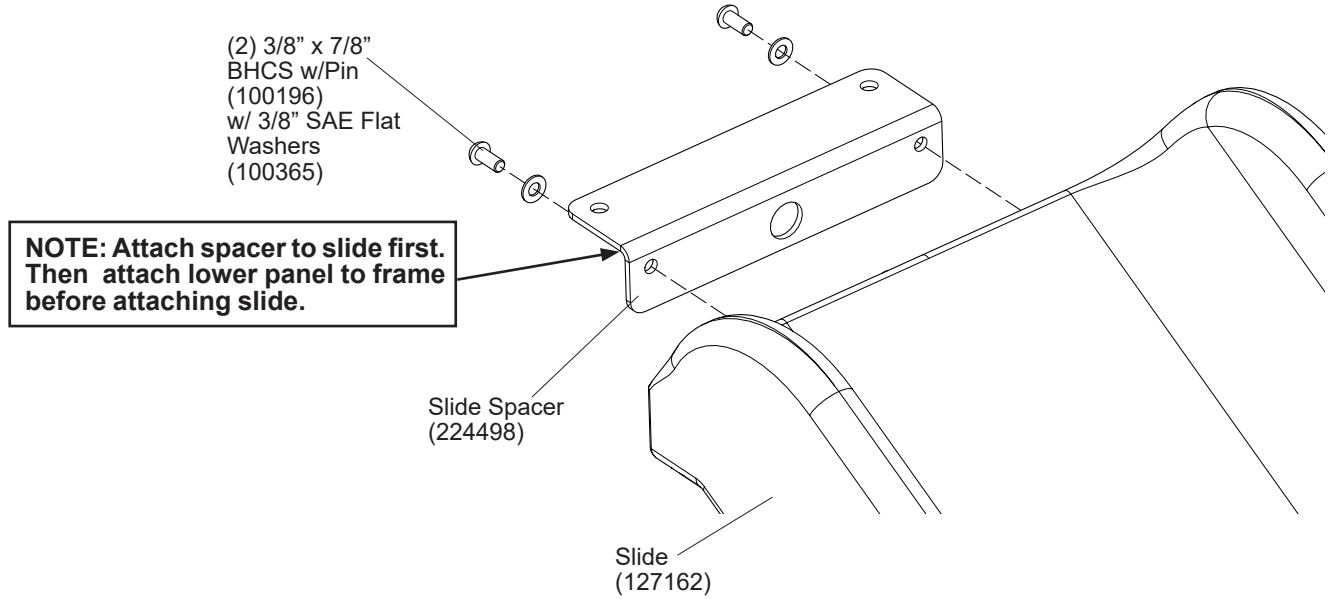
**DETAIL  
 LOWER REAR PANEL ATTACHMENT**



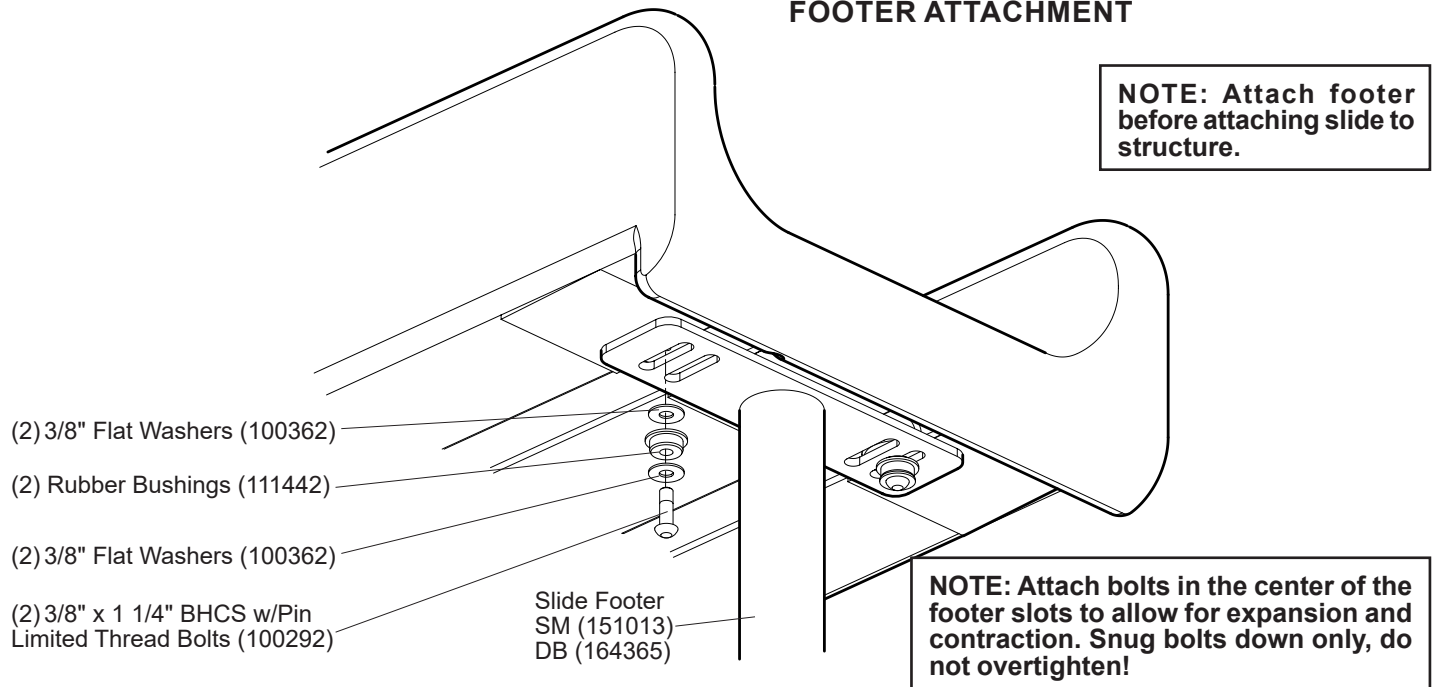
**DETAIL**  
**LOWER RIGHT PANEL ATTACHMENT**



**DETAIL**  
**SLIDE ATTACHMENT**

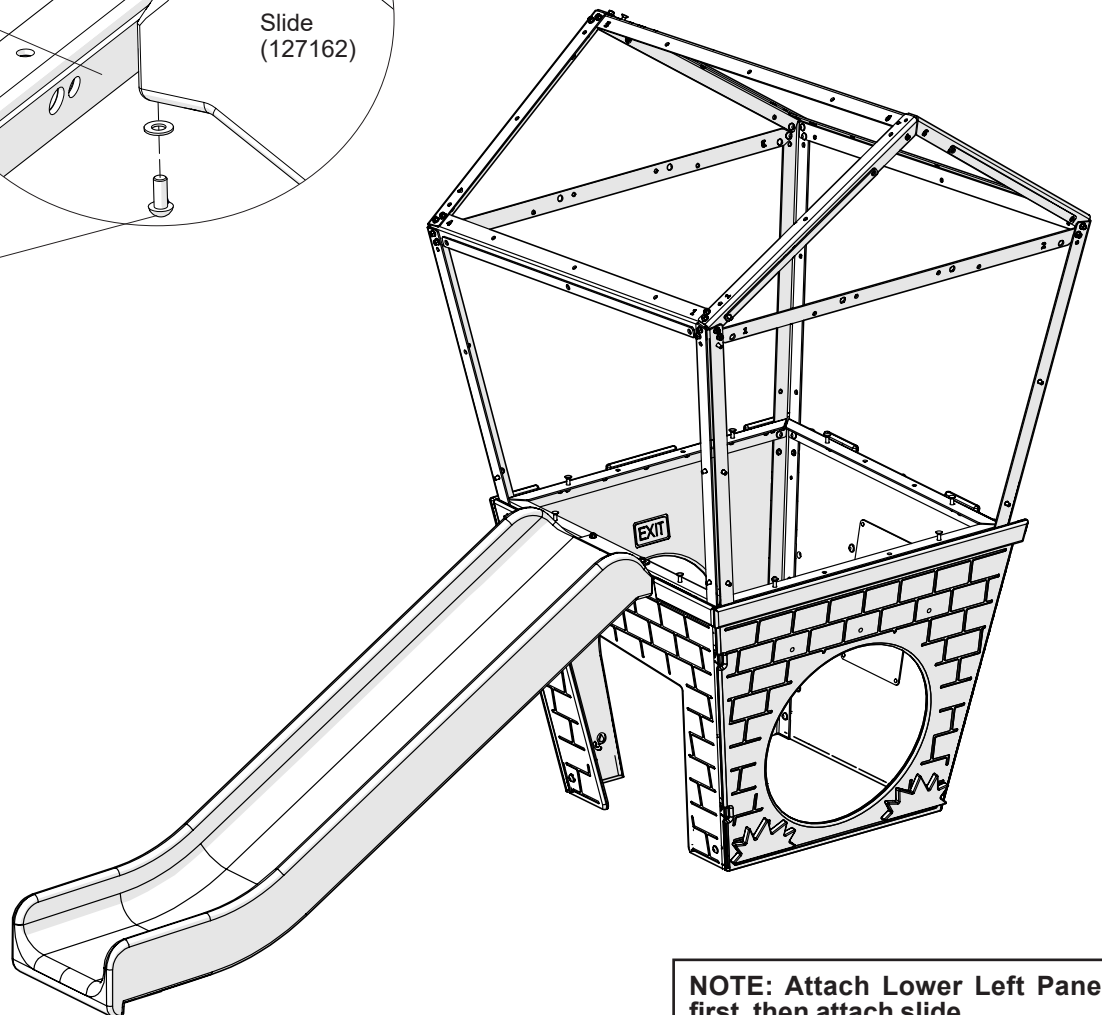
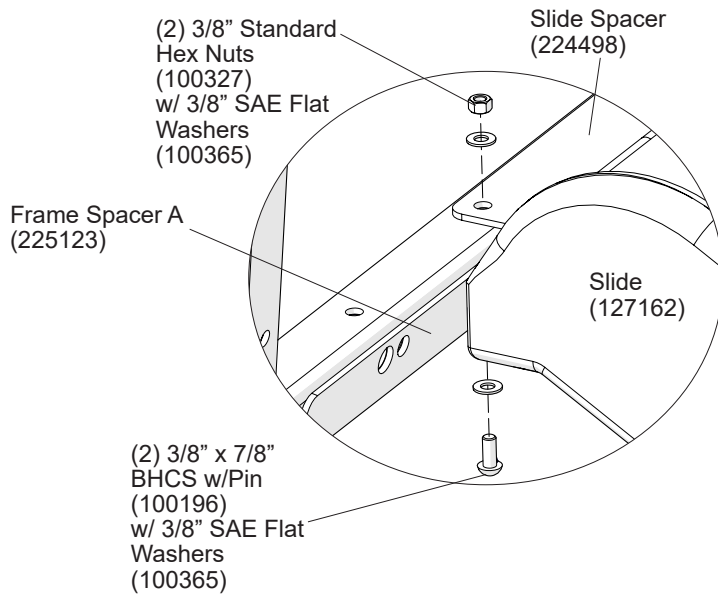


**DETAIL**  
**FOOTER ATTACHMENT**



## STEP 3

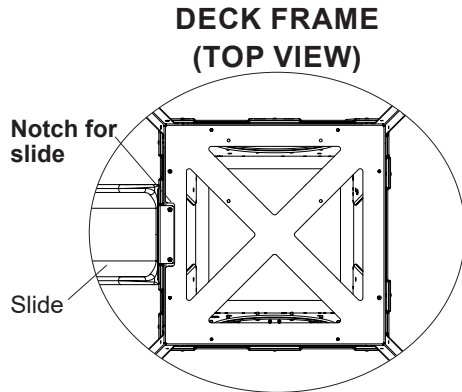
- 1) Attach slide spacer and footer to slide. Attach slide spacer to steel base using 3/8" x 7/8" BHCS w/pin with 3/8" SAE flat washers & 3/8" standard hex nuts with 3/8" SAE flat washers. Refer to sheet 13.



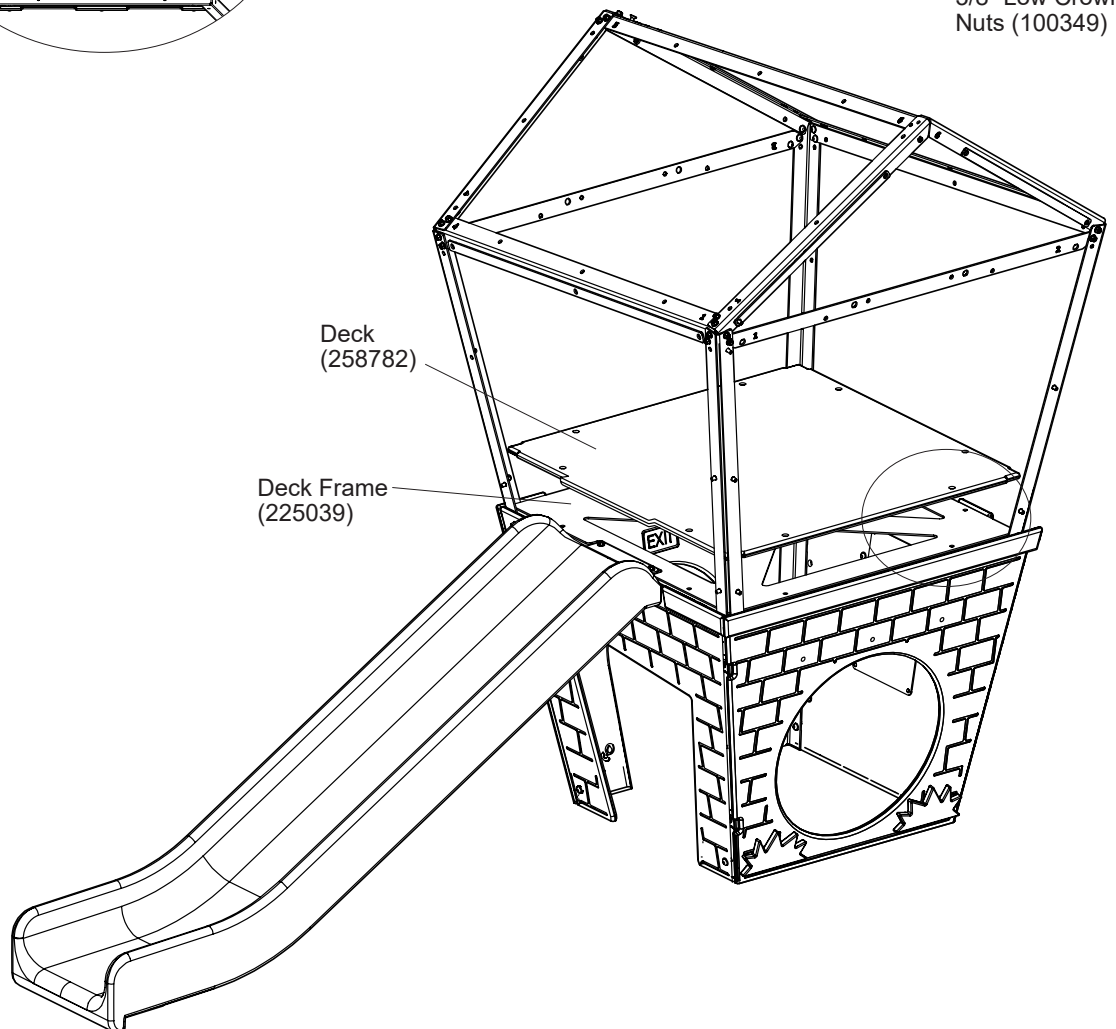
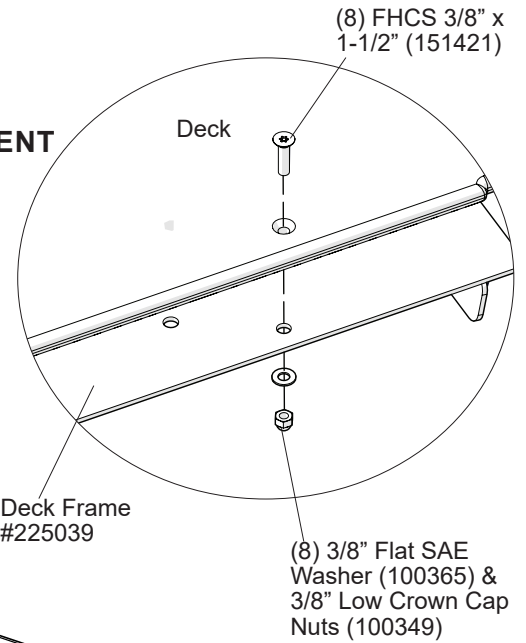
**NOTE: Attach Lower Left Panel first, then attach slide.**

## STEP 4

1) Attach deck.



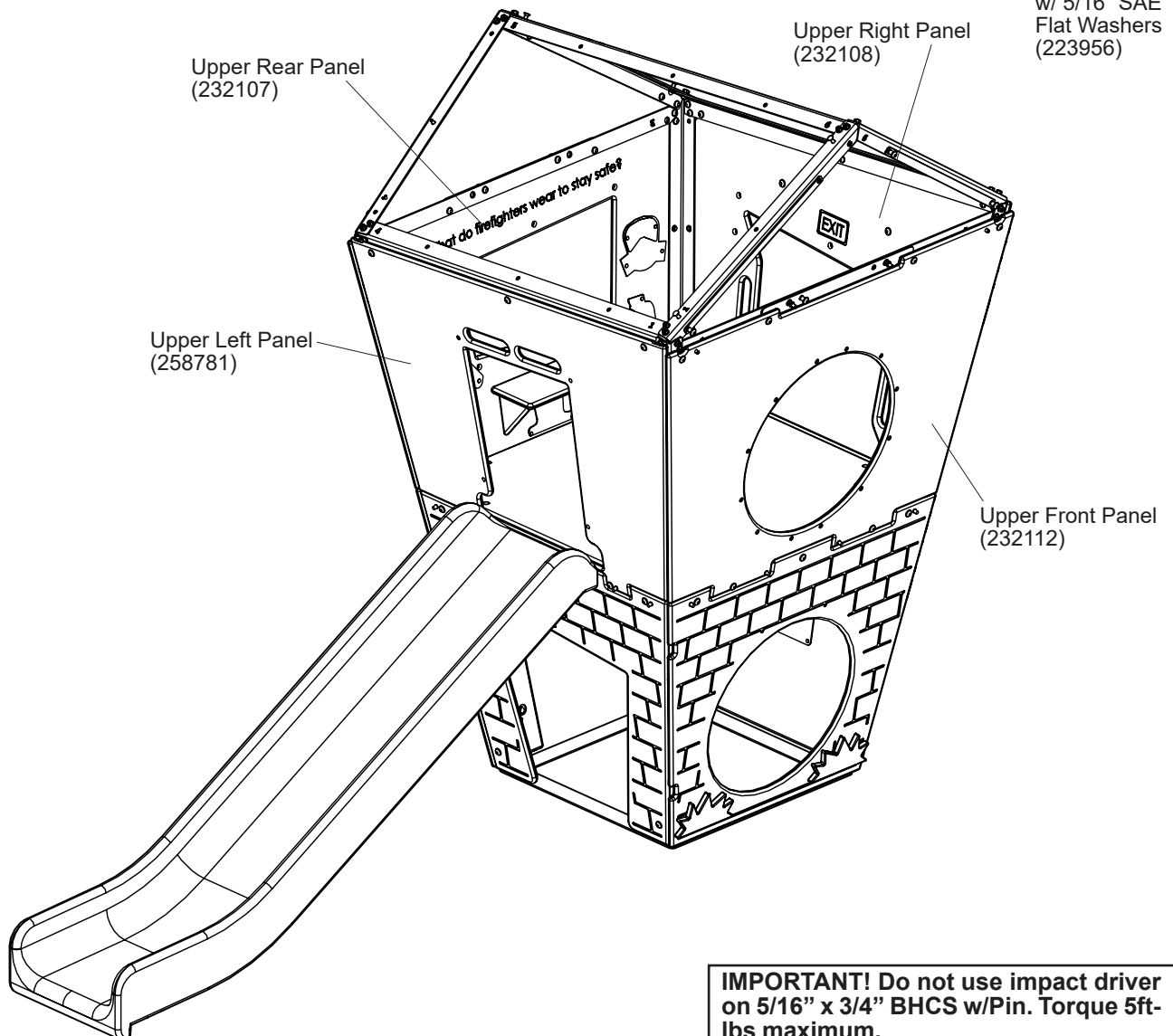
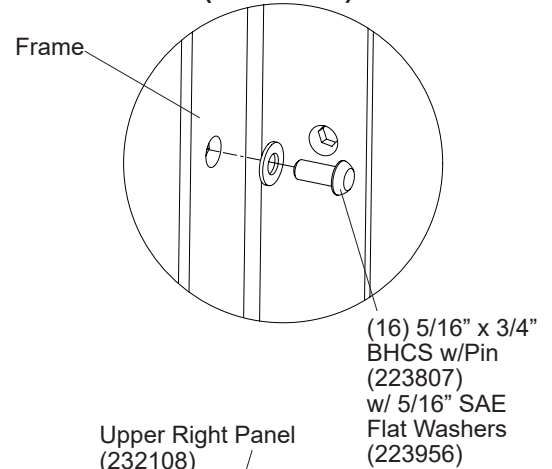
**DETAIL DECK ATTACHMENT**



## STEP 5

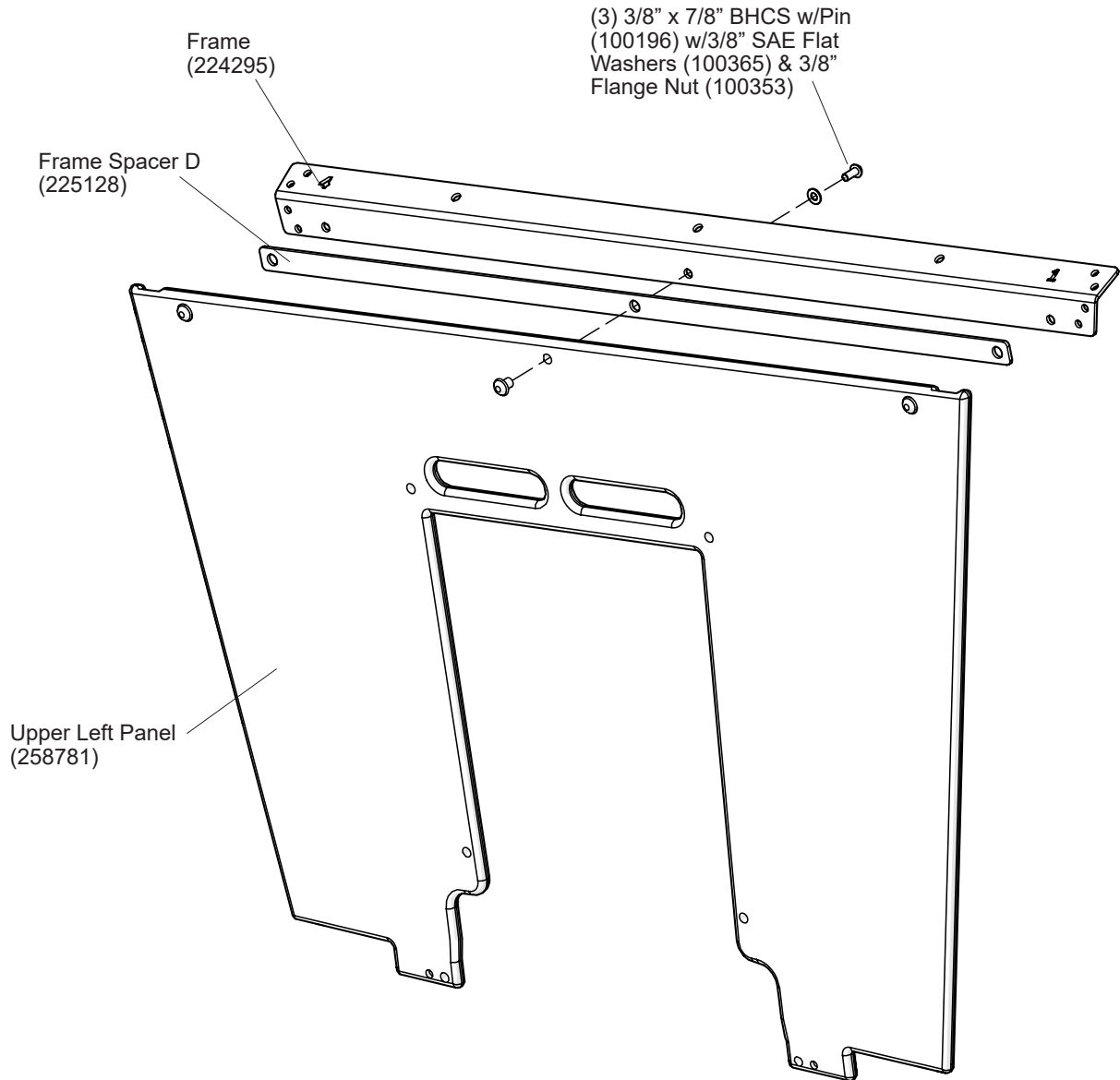
1) Attach upper panels.

### DETAIL PANEL TO FRAME ATTACHMENT (TYPICAL)



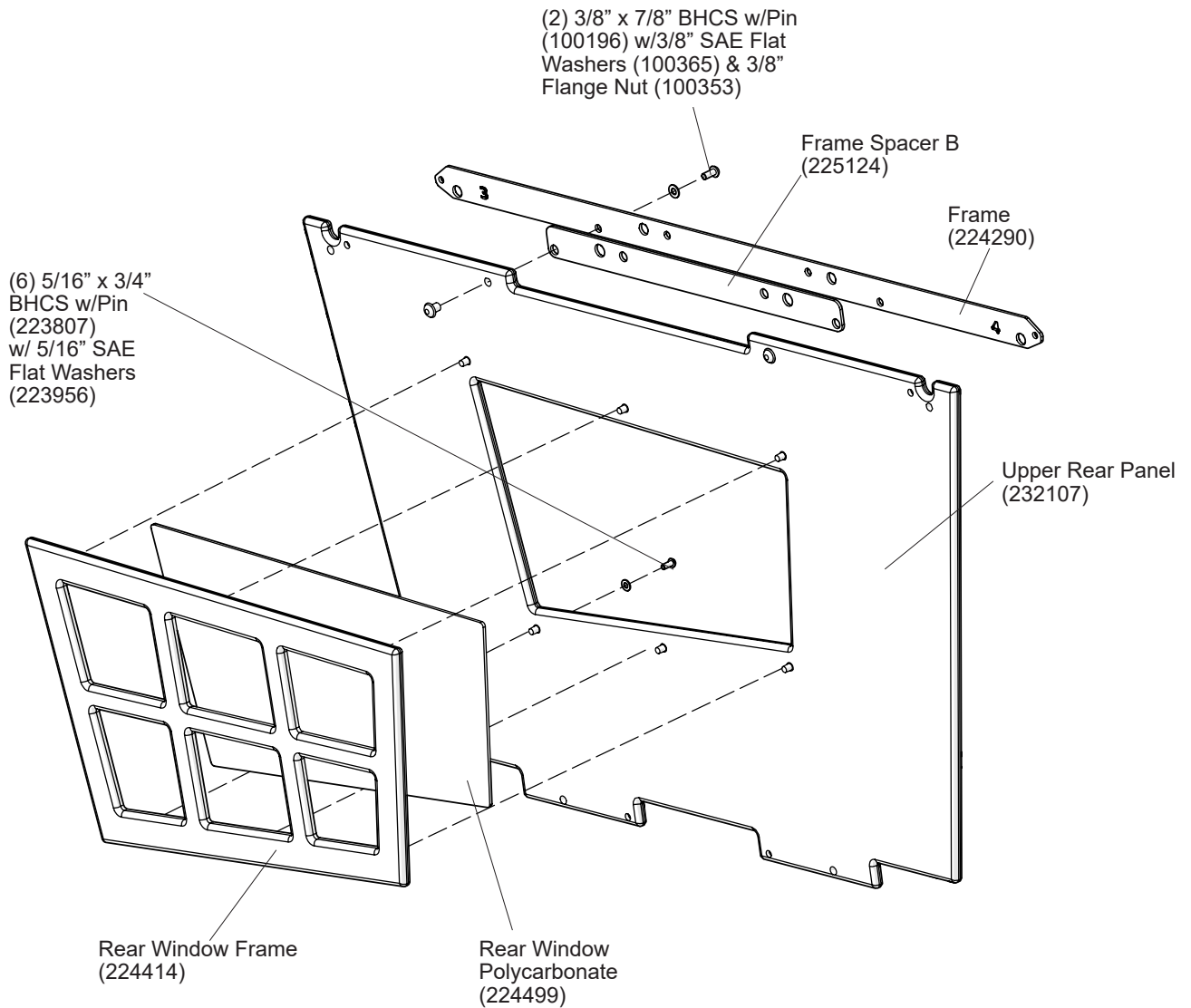
**IMPORTANT! Do not use impact driver on 5/16" x 3/4" BHCS w/Pin. Torque 5ft-lbs maximum.**

**DETAIL**  
**UPPER LEFT PANEL ATTACHMENT**





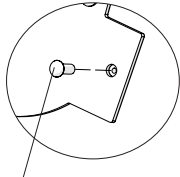
**DETAIL**  
**UPPER REAR PANEL ATTACHMENT**  
**(OUTSIDE VIEW)**



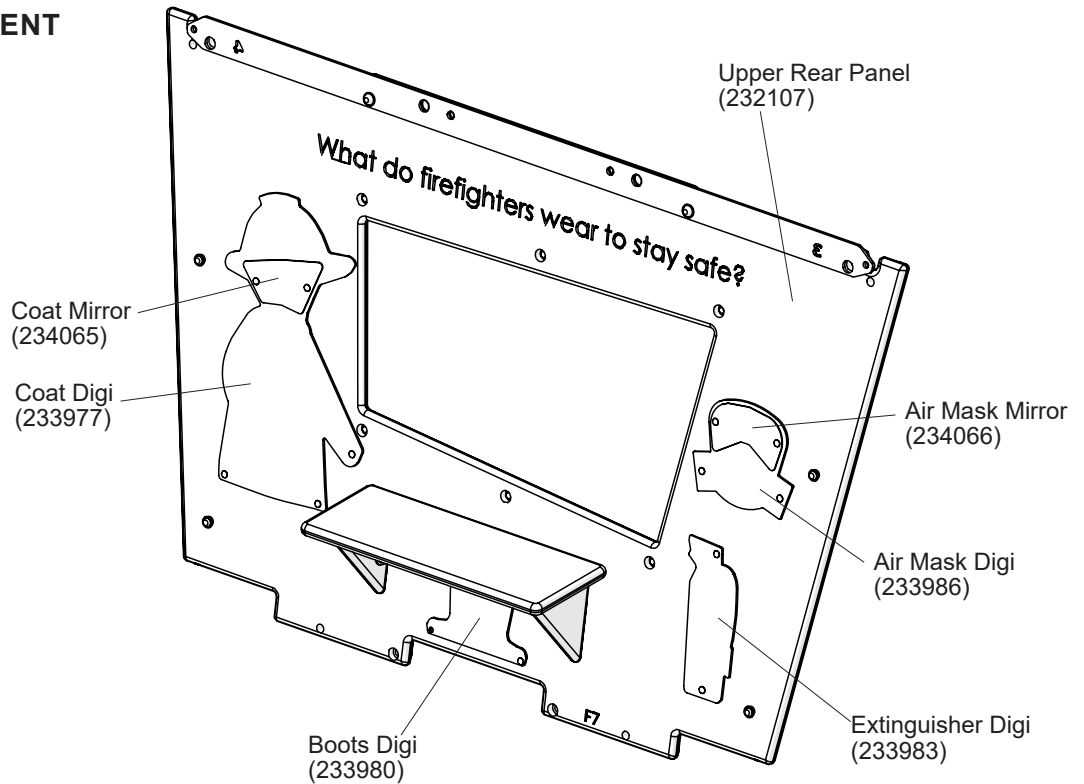
**IMPORTANT! Do not use impact driver on 5/16" x 3/4" BHCS w/Pin. Torque 5ft-lbs maximum.**

**DETAIL**  
**UPPER REAR PANEL ATTACHMENT**  
**(INSIDE VIEW)**

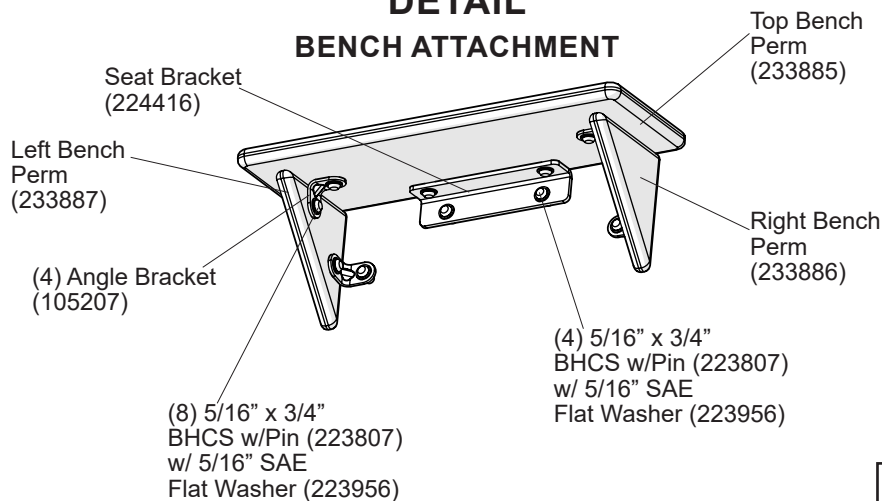
**DETAIL**  
**TYP. DIGI ATTACHMENT**



#14 x 3/4"  
 BHCS Torx  
 (127872)

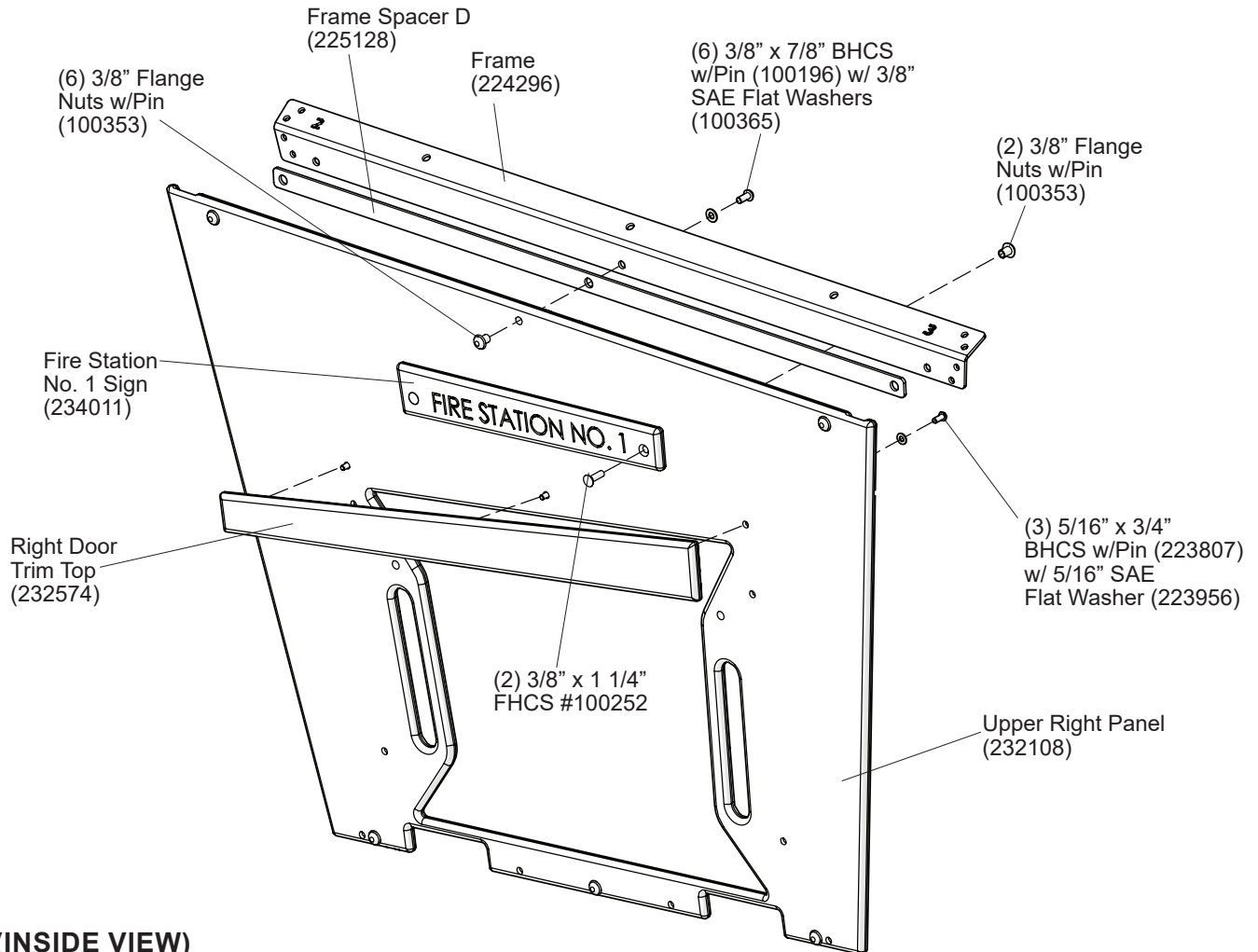


**DETAIL**  
**BENCH ATTACHMENT**

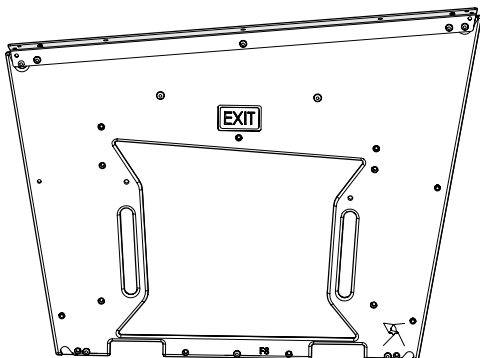


**IMPORTANT! Do not use impact driver on 5/16" x 3/4" BHCS w/Pin. Torque 5ft-lbs maximum.**

**DETAIL**  
**UPPER RIGHT PANEL ATTACHMENT**

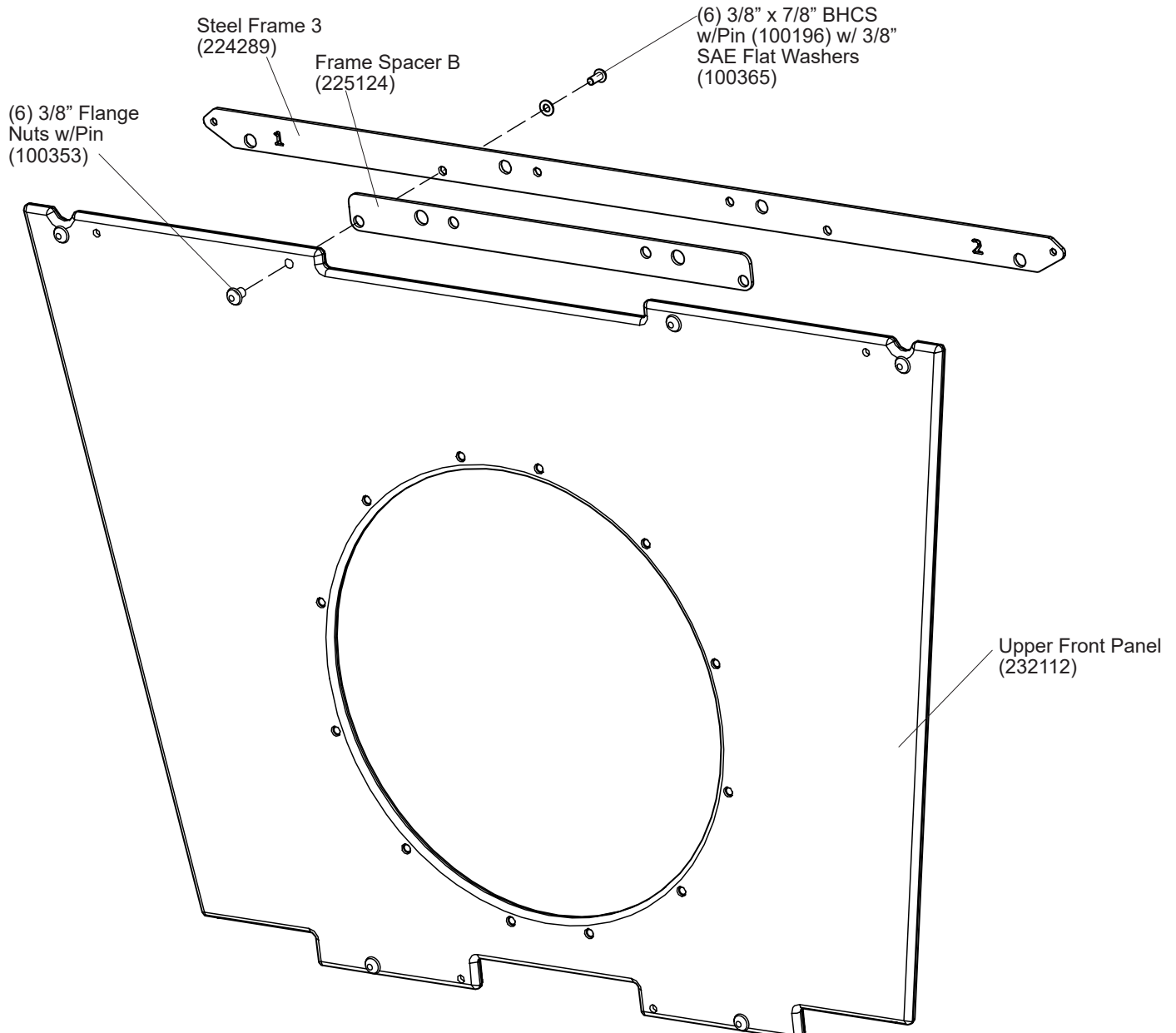


**(INSIDE VIEW)**



**IMPORTANT! Do not use impact driver on 5/16" x 3/4" BHCS w/Pin. Torque 5ft-lbs maximum.**

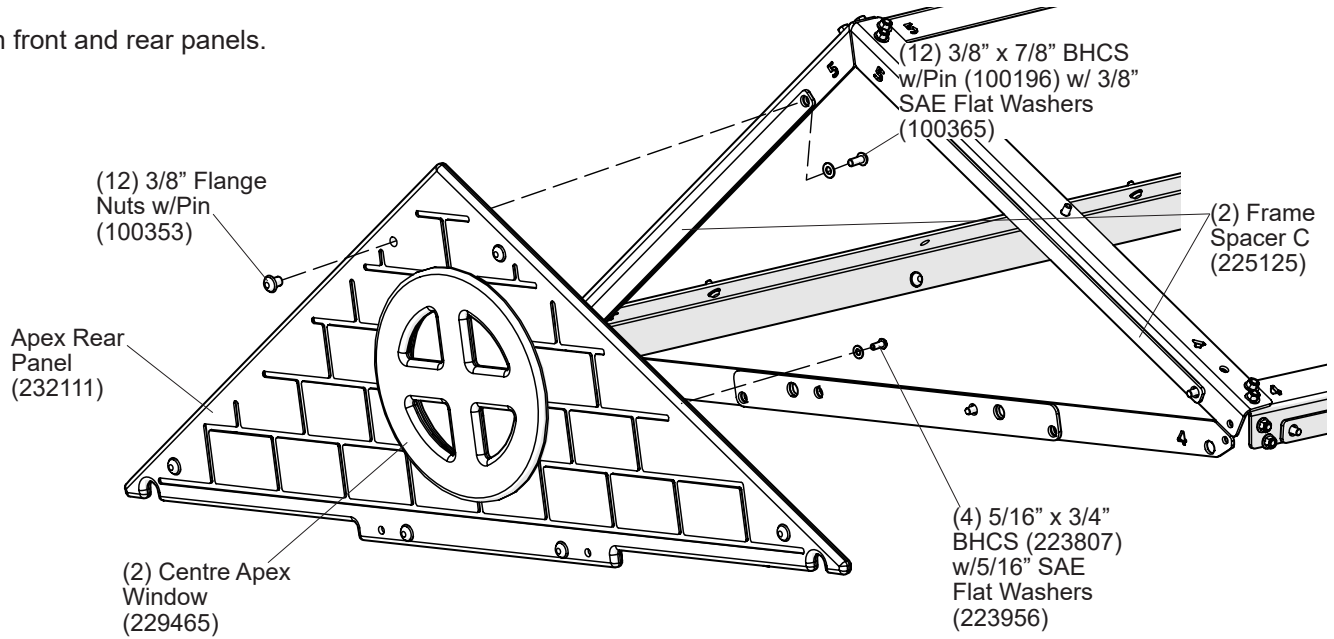
**DETAIL**  
**UPPER FRONT PANEL ATTACHMENT**



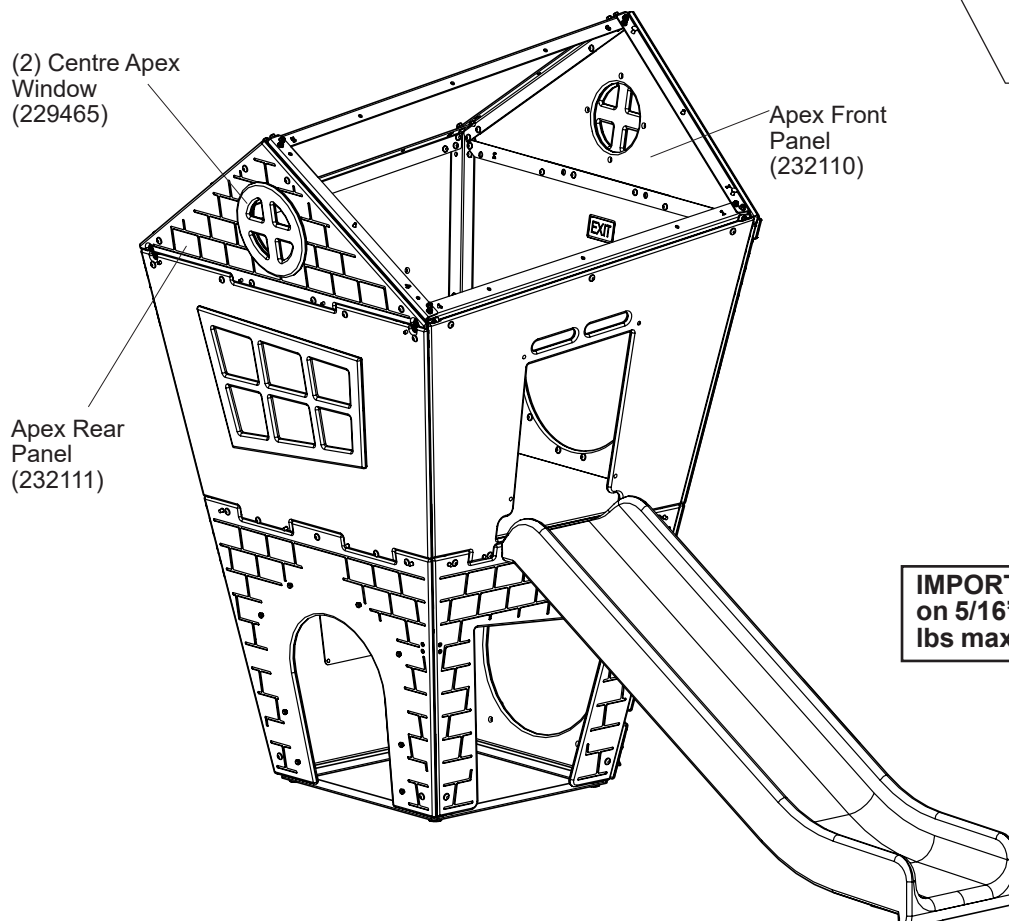
**IMPORTANT! Do not use impact driver on 5/16\" x 3/4\" BHCS w/Pin. Torque 5ft-lbs maximum.**

## STEP 6

1) Attach front and rear panels.

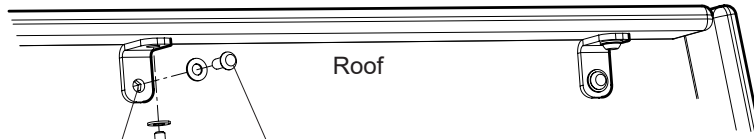


**NOTE: Same attachment for Apex Front Panel.**



**IMPORTANT! Do not use impact driver on 5/16" x 3/4" BHCS w/Pin. Torque 5ft-lbs maximum.**

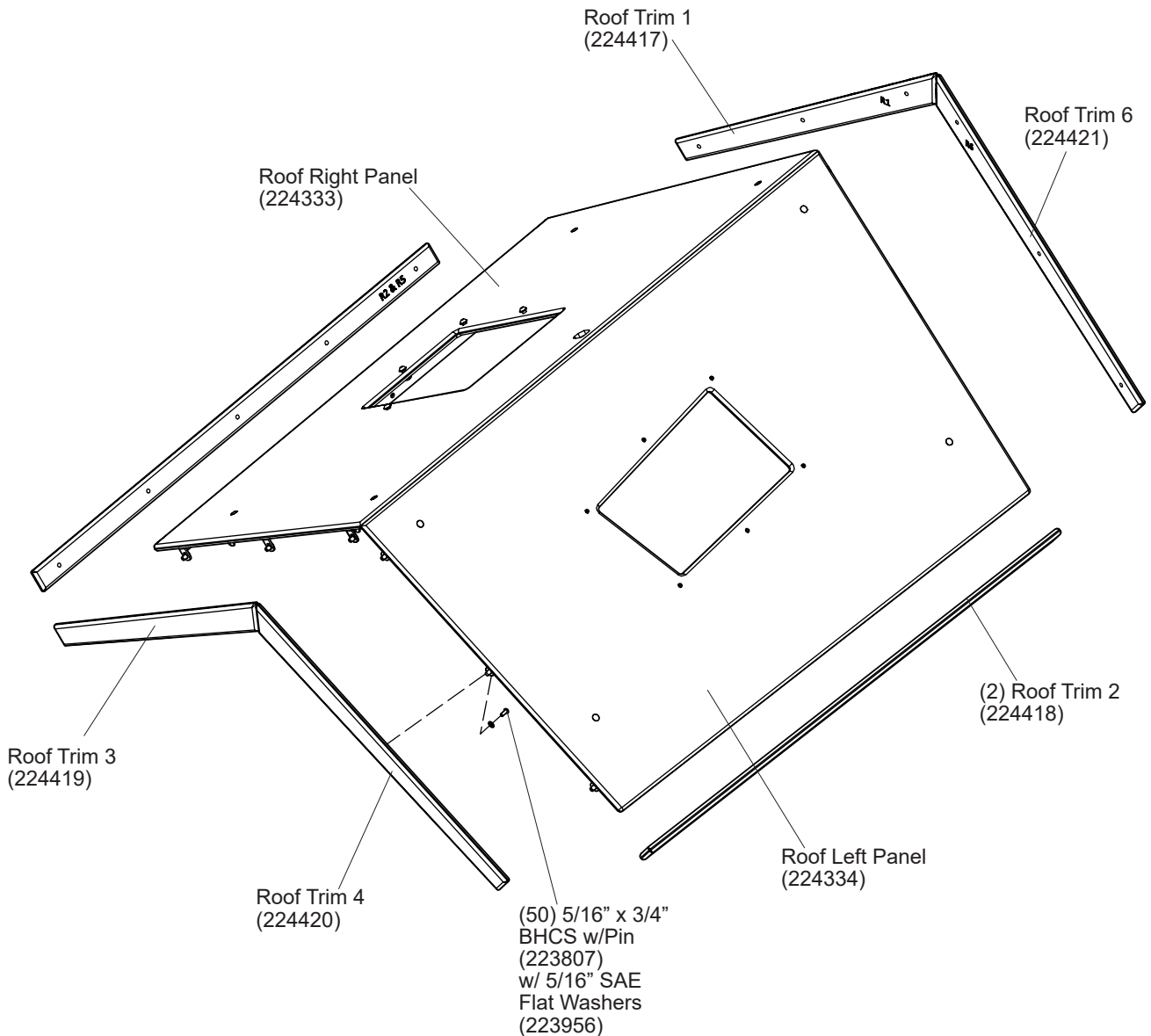
**DETAIL**  
**ROOF TRIM ATTACHMENT**  
**(BOTTOM VIEW)**



(22) 90°  
Bracket  
(223335)

(2) 5/16" x 3/4"  
BHCS w/Pin  
(223807)  
w/ 5/16" SAE  
Flat Washers  
(223956)

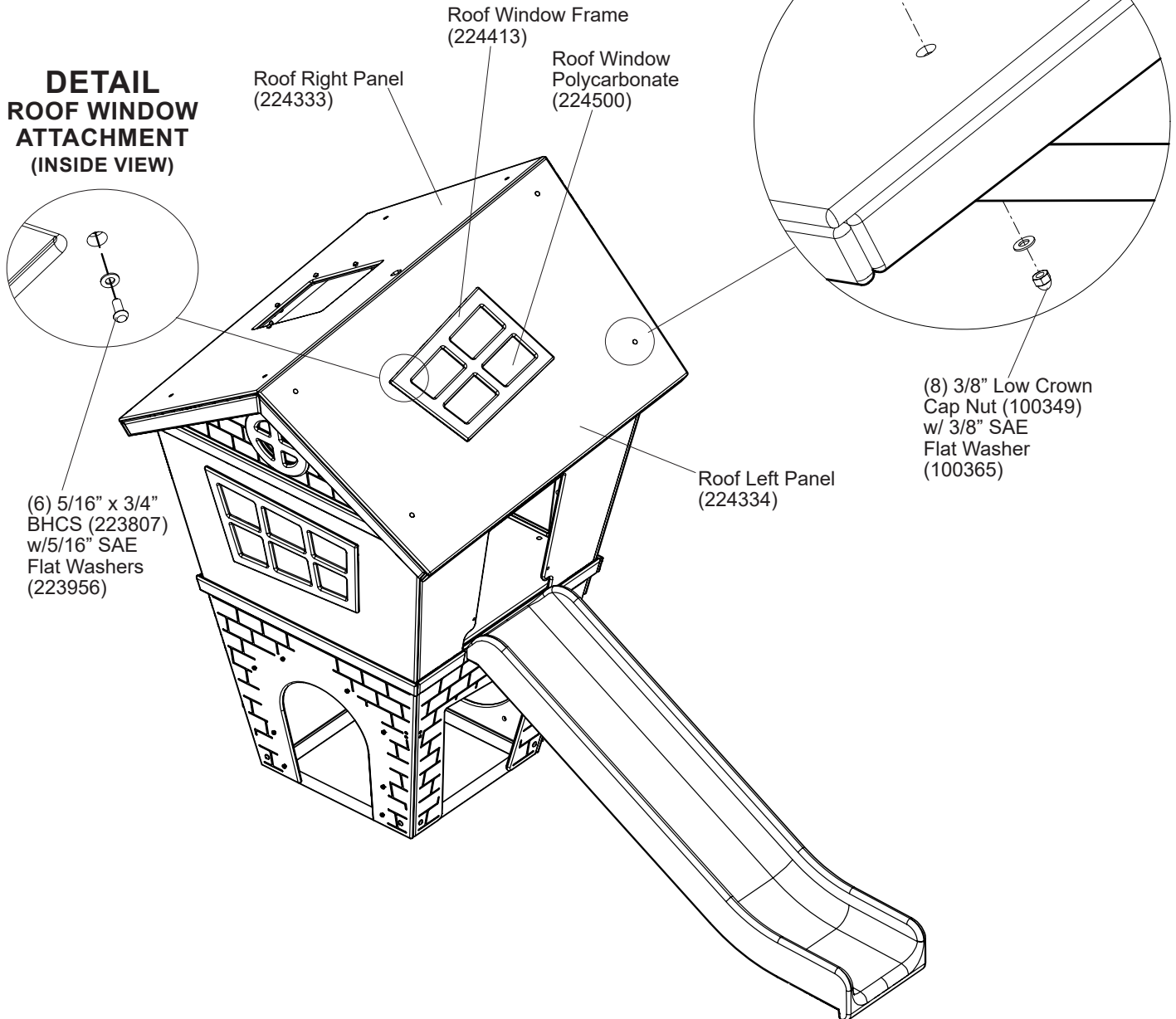
**IMPORTANT! Do not use impact driver on 5/16" x 3/4" BHCS w/Pin. Torque 5ft-lbs maximum.**



## STEP 7

- 1) Attach roof trim.
- 2) Attach roof panels.

### DETAIL ROOF TO FRAME ATTACHMENT



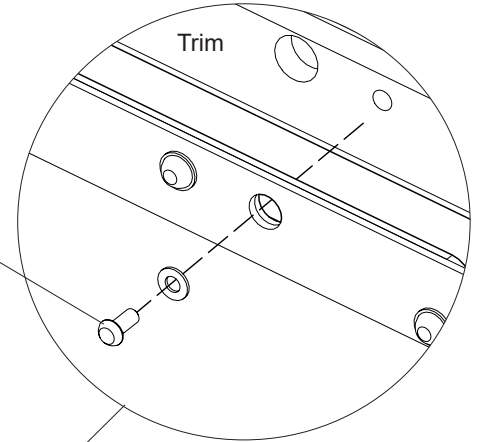
**IMPORTANT!** Do not use impact driver on 5/16" x 3/4" BHCS w/Pin. Torque 5ft-lbs maximum.

## STEP 8

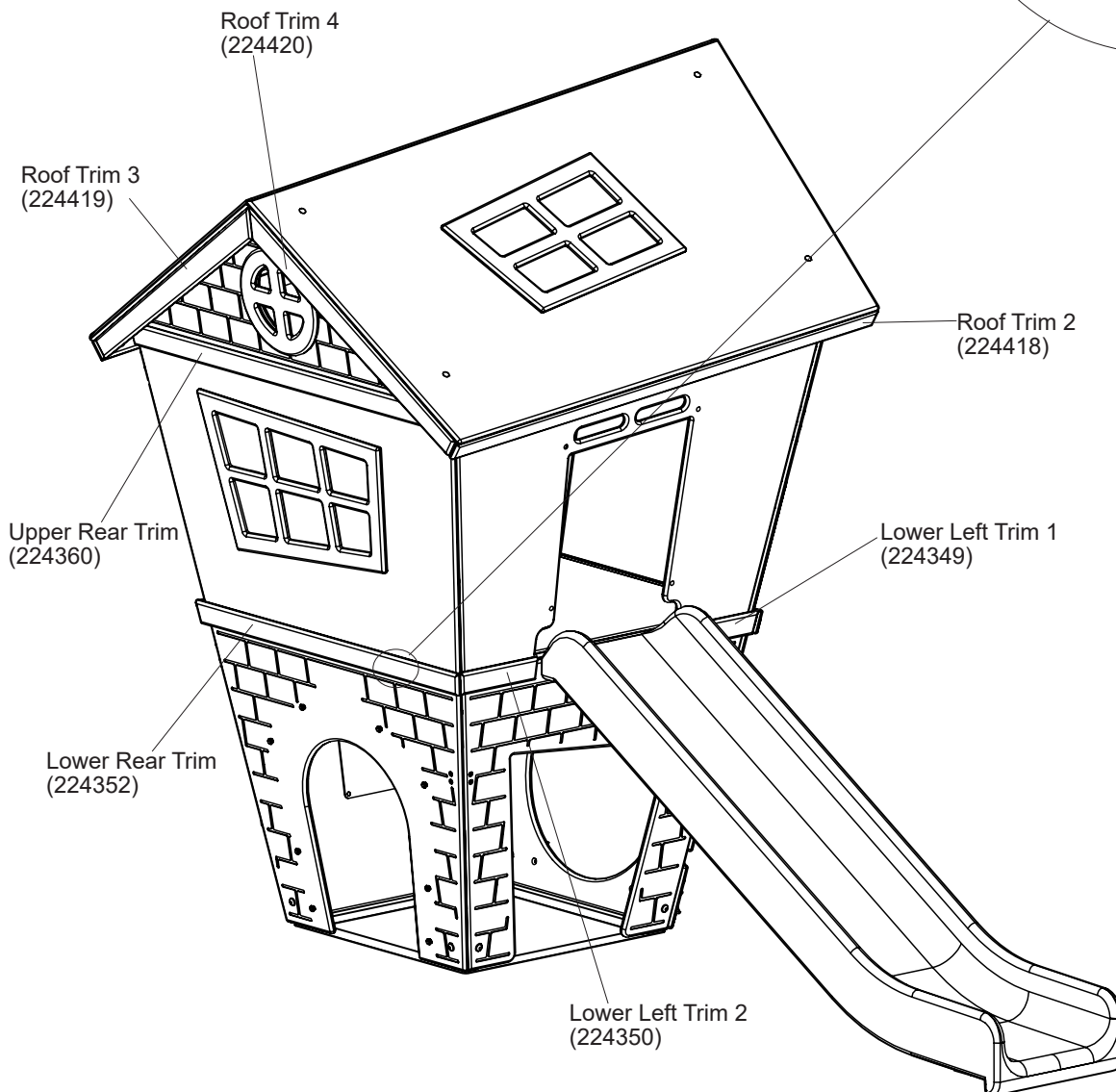
### DETAIL TRIM ATTACHMENT (INSIDE VIEW)

1) Attach trim.

**IMPORTANT! Do not use impact driver on 5/16" x 3/4" BHCS w/Pin. Torque 5ft-lbs maximum.**

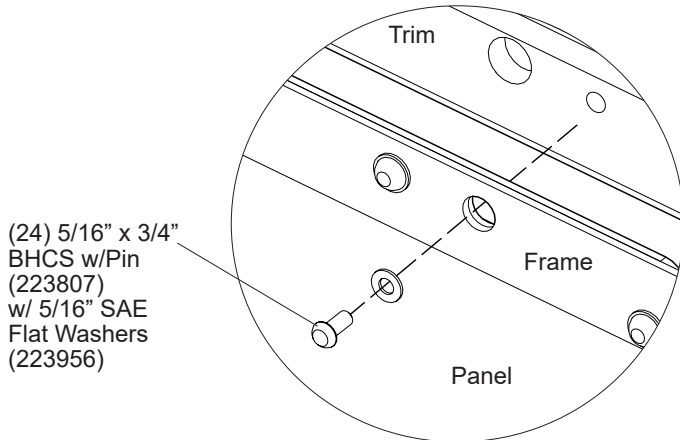


(24) 5/16" x 3/4" BHCS w/Pin (223807) w/ 5/16" SAE Flat Washers (223956)

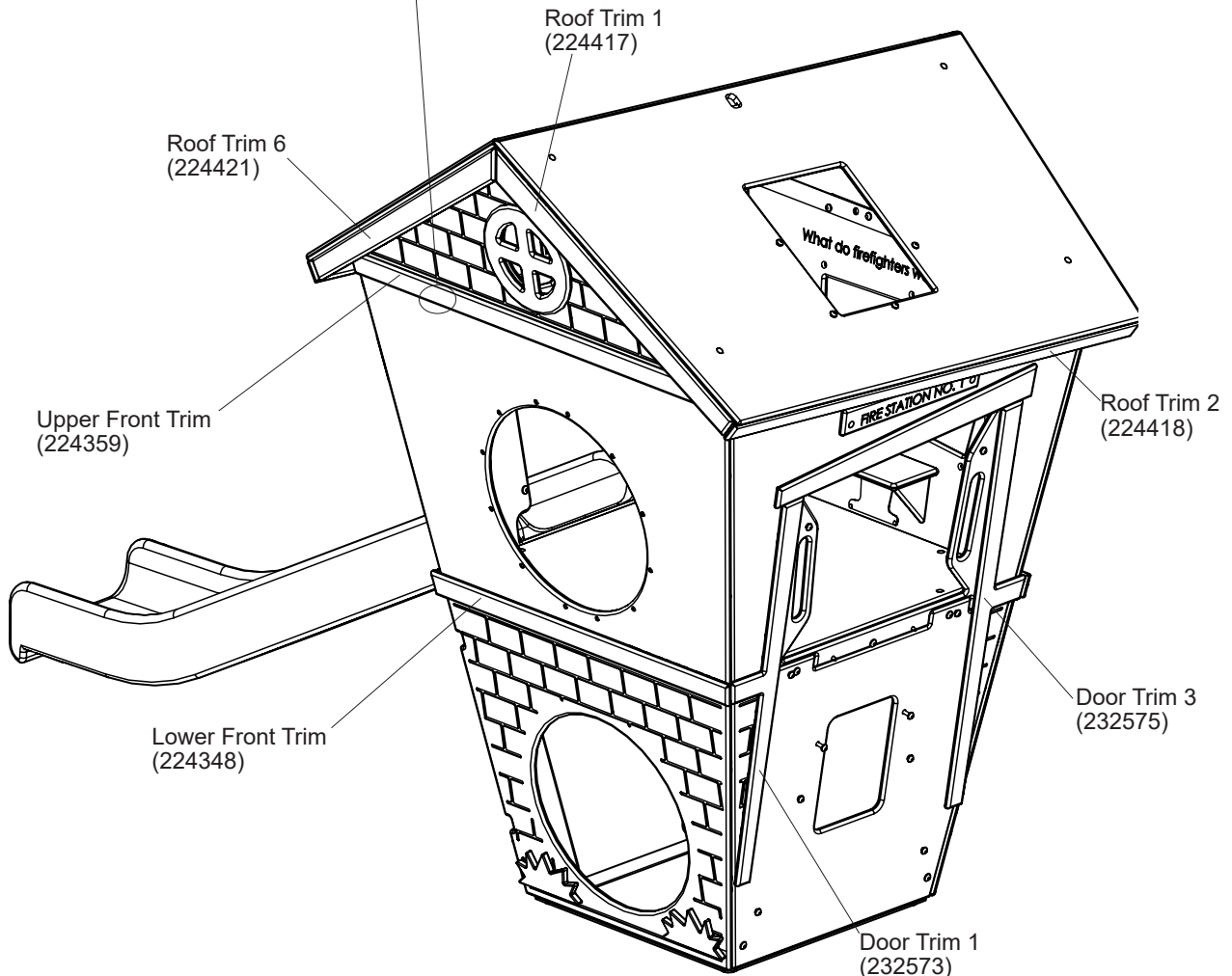




**DETAIL**  
**TRIM ATTACHMENT**  
**(INSIDE VIEW)**



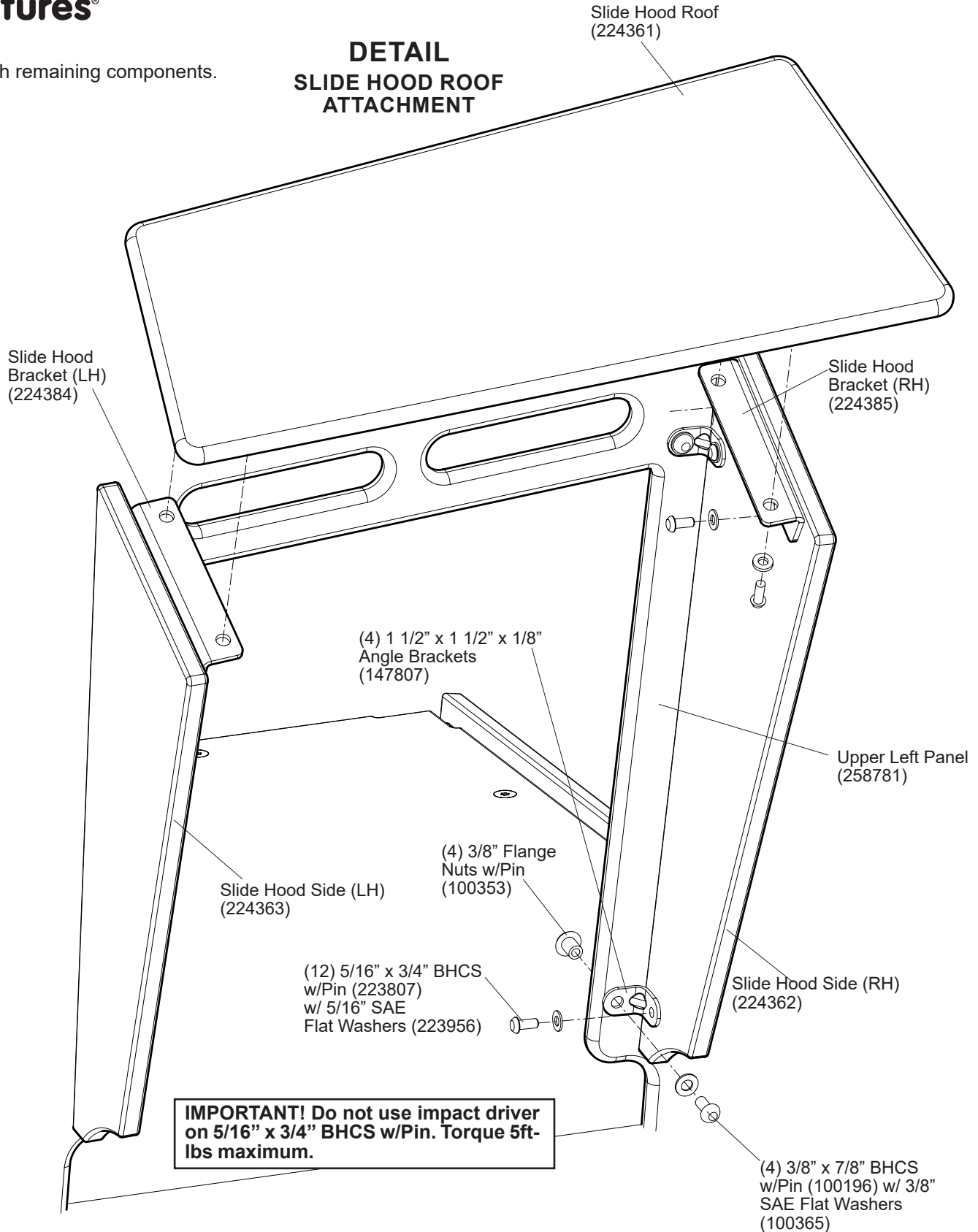
**IMPORTANT! Do not use impact driver on 5/16" x 3/4" BHCS w/Pin. Torque 5ft-lbs maximum.**



## STEP 9

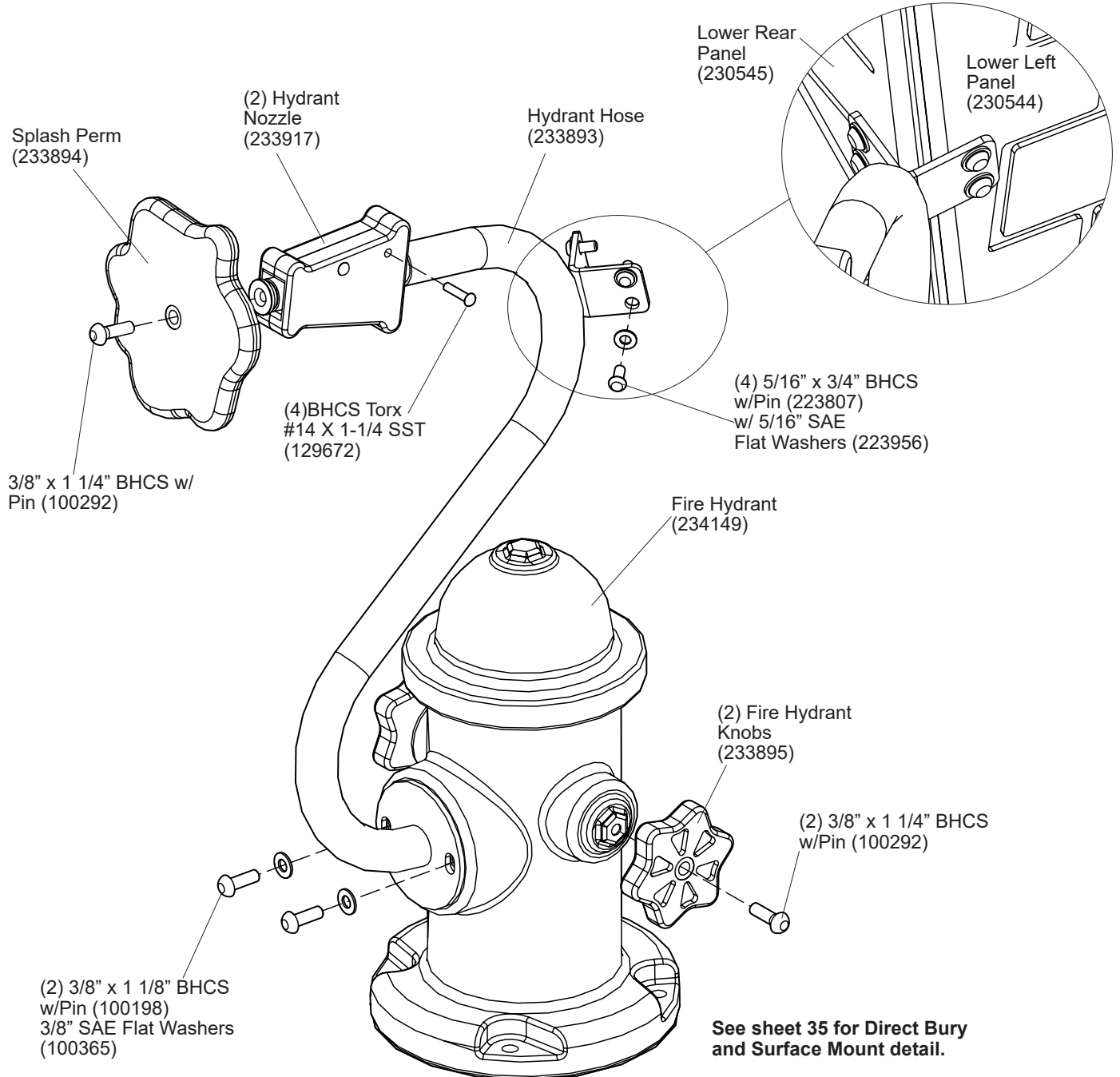
### DETAIL SLIDE HOOD ROOF ATTACHMENT

- 1) Attach remaining components.



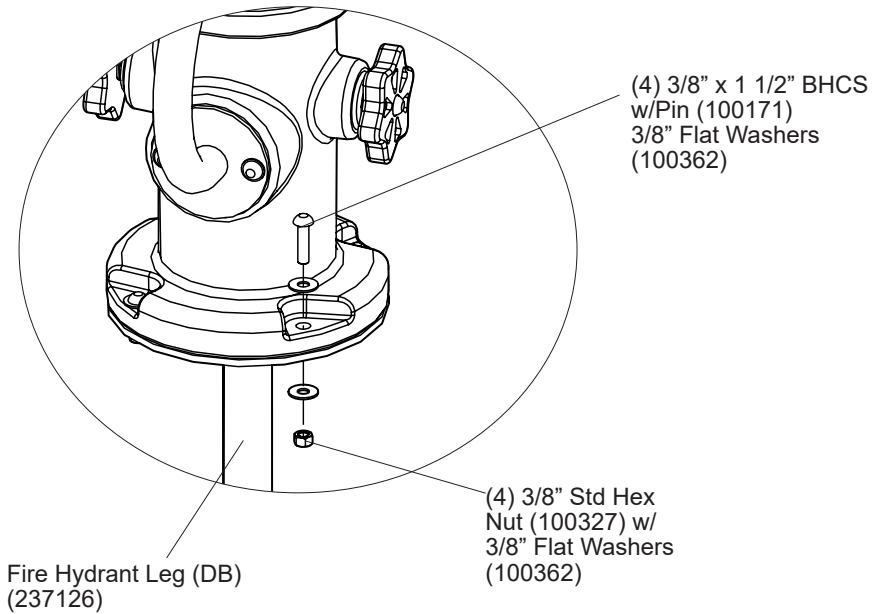
**DETAIL  
FIRE HYDRANT ASSEMBLY**

**DETAIL  
FIRE HYDRANT TO STRUCTURE**

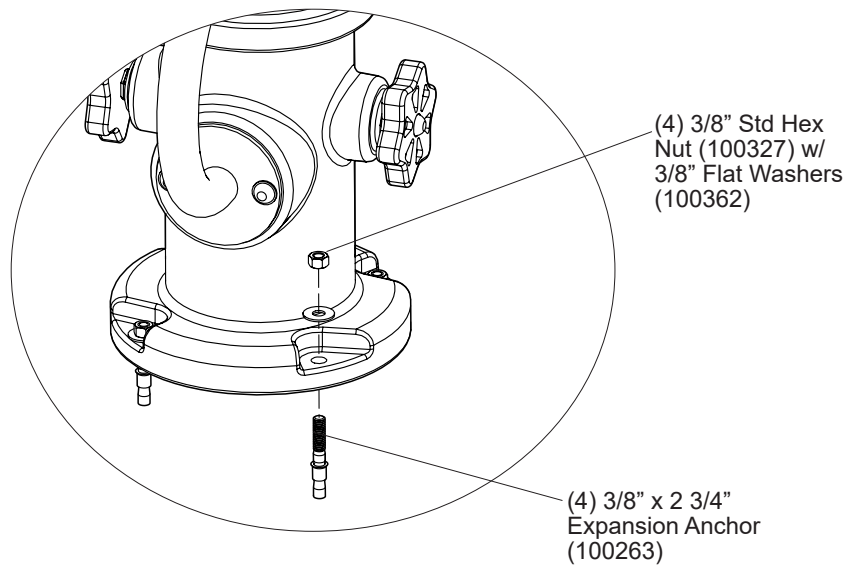


**IMPORTANT! Do not use impact driver on 5/16" x 3/4" BHCS w/Pin. Torque 5ft-lbs maximum.**

**DETAIL  
FIRE HYDRANT DIRECT BURY**



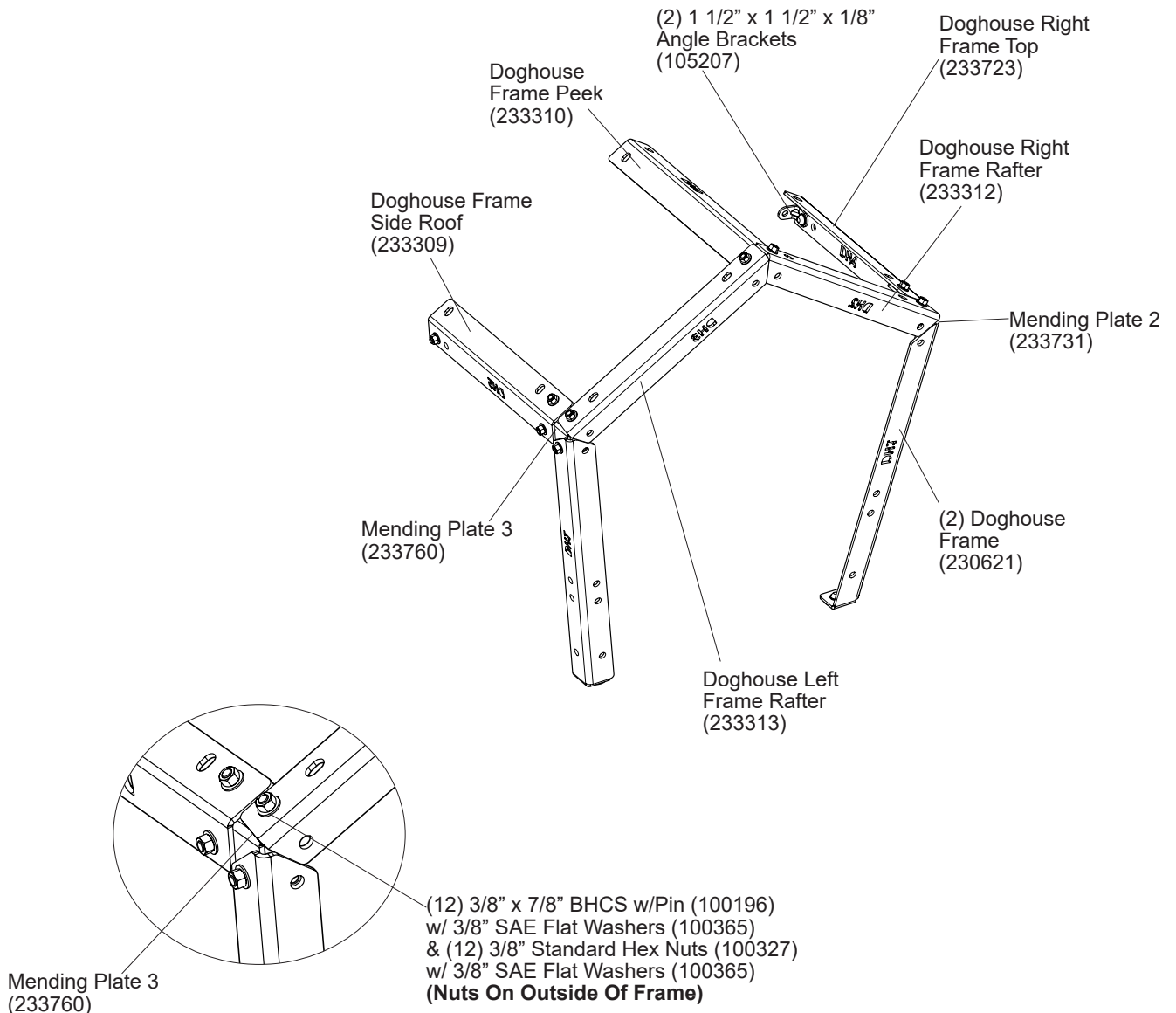
**DETAIL  
FIRE HYDRANT SURFACE MOUNT**



**DETAIL  
DOG HOUSE ASSEMBLY**

- 1) Attach Doghouse frames and mending plates.

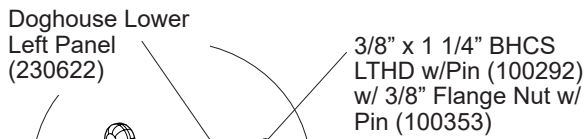
**DETAIL  
FRAME ASSEMBLY**



**DETAIL**  
**DOG HOUSE ASSEMBLY, Continued**

1) Attach Doghouse panels.

**DETAIL**  
**DOG BONE ATTACHMENT**  
 (ATTACH ON INSIDE OF PANEL)



Dog Bone (233920)

Doghouse Upper Left Panel (230625)

Dog Digi Backer (233999)

Dog Digi (234331)  
Use (4) #14 x 3/4\"/>

Doghouse Grass (233795)

Doghouse Lower Left Panel (230622)

Doghouse Lower Left Front Panel (232966)

Sparky Sign (234075)

Doghouse Trim Left (230629)

Doghouse Upper Left Panel (230626)

Doghouse Lower Right Panel (230623)

Frame

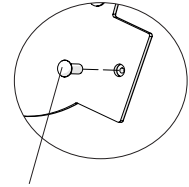
Doghouse Upper Front Panel (230624)

Doghouse Trim Right (230631)

Doghouse Trim Right (234222)

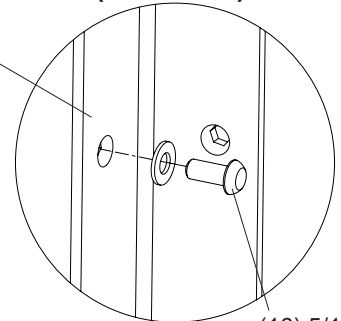
Doghouse Lower Right Front Panel (232967)

**DETAIL**  
**TYP. DIGI ATTACHMENT**



#14 x 3/4\"/>BHCS Torx (127872)

**DETAIL**  
**PANEL TO FRAME ATTACHMENT (TYPICAL)**



(16) 5/16\"/> x 3/4\"/> BHCS w/Pin (223807) w/ 5/16\"/> SAE Flat Washers (223956)

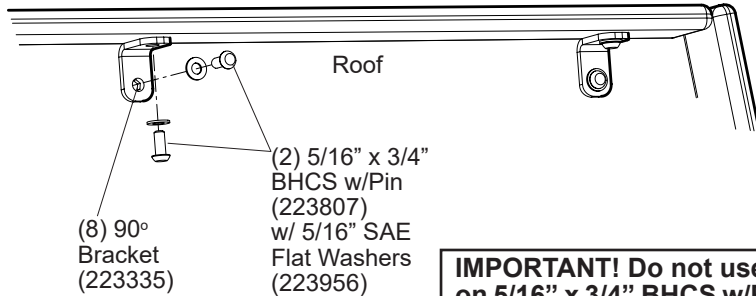
**IMPORTANT! Do not use impact driver on 5/16\"/> x 3/4\"/> BHCS w/Pin. Torque 5ft-lbs maximum.**

**DETAIL**  
**DOG HOUSE ASSEMBLY, Continued**

- 1) Attach Doghouse roof and trim.
- 2) Attach Doghouse to Fire Station.

**DETAIL**  
**ROOF TRIM ATTACHMENT**  
**(BOTTOM VIEW)**

**DETAIL**  
**ROOF TO FIRE STATION**  
**ATTACHMENT**  
**(INSIDE DOGHOUSE VIEW)**



**IMPORTANT! Do not use impact driver on 5/16\"/>**

(2) 5/16\"/>

(2) 90° Angle Brackets (236574)

Doghouse Roof Left Panel (230627)

(2) Doghouse Perm Trim Sides (233029)

Doghouse Perm Trim Front Left (233028)

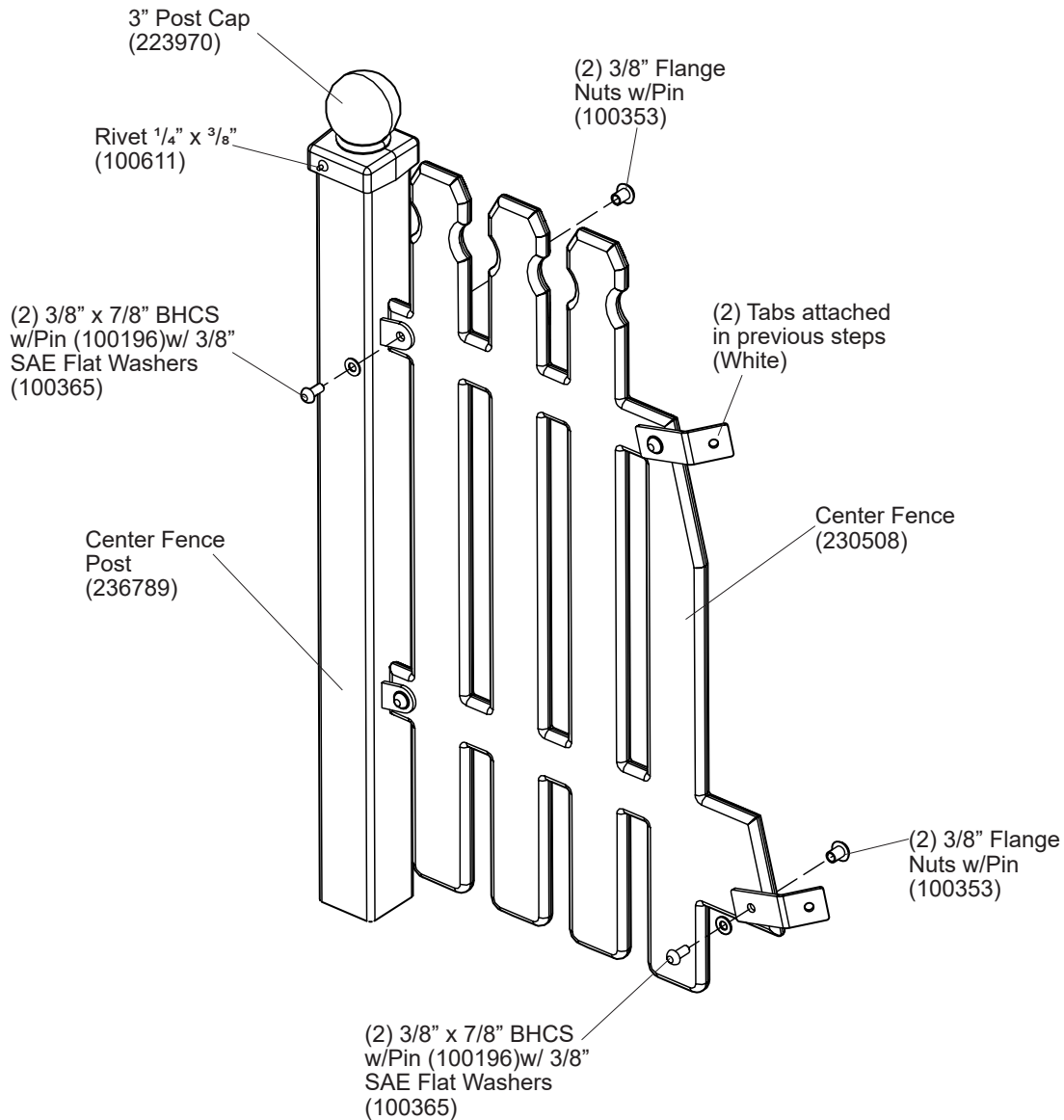
Doghouse Roof Right Panel (230628)

Doghouse Perm Trim Front Right (233027)

(6) 1 1/2 x 1 1/2 x 1/8 Angle Brackets (147807)

(2) 5/16\"/>

**DETAIL**  
**CENTER FENCE ASSEMBLY**

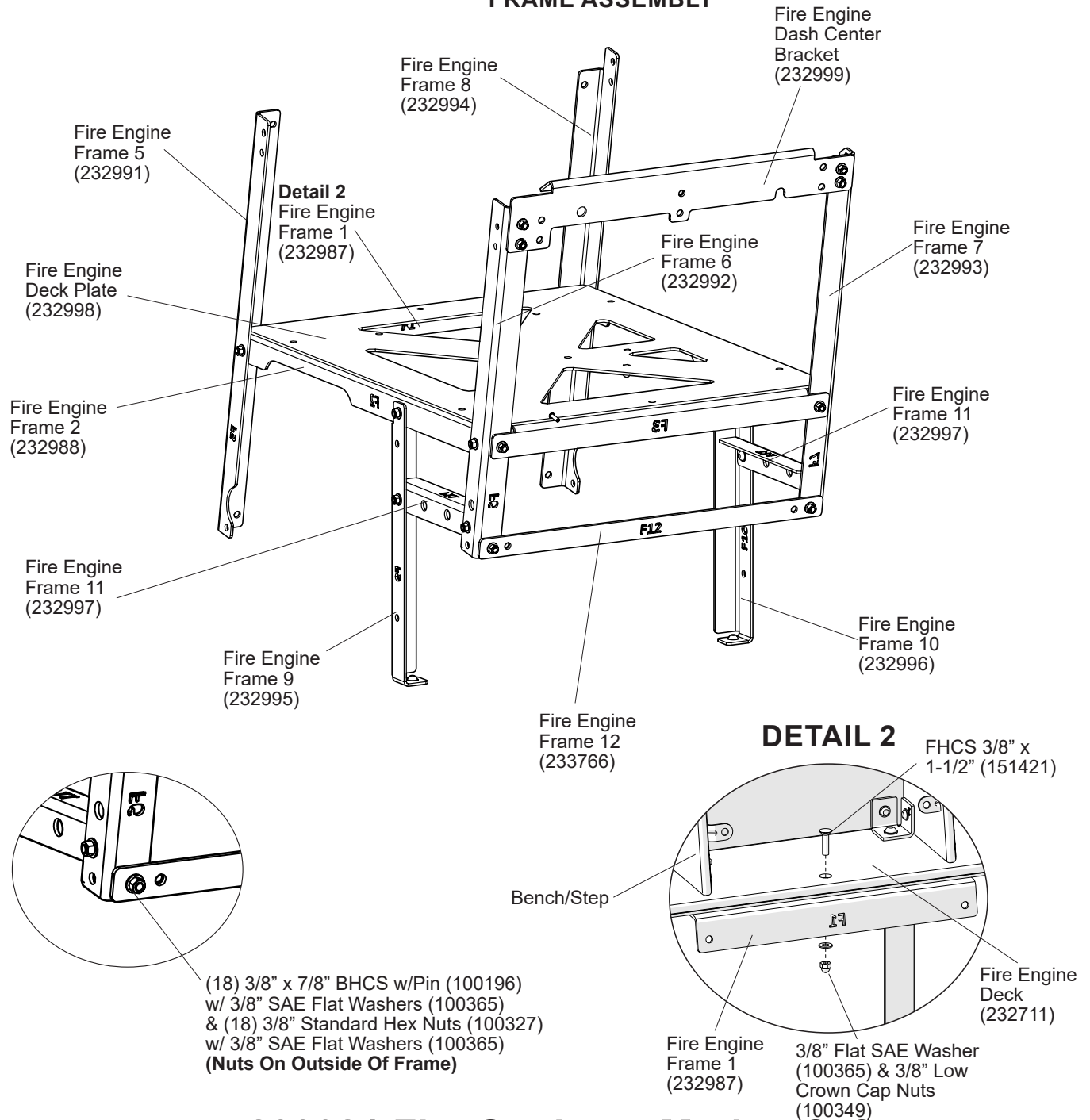




## DETAIL FIRE ENGINE ASSEMBLY

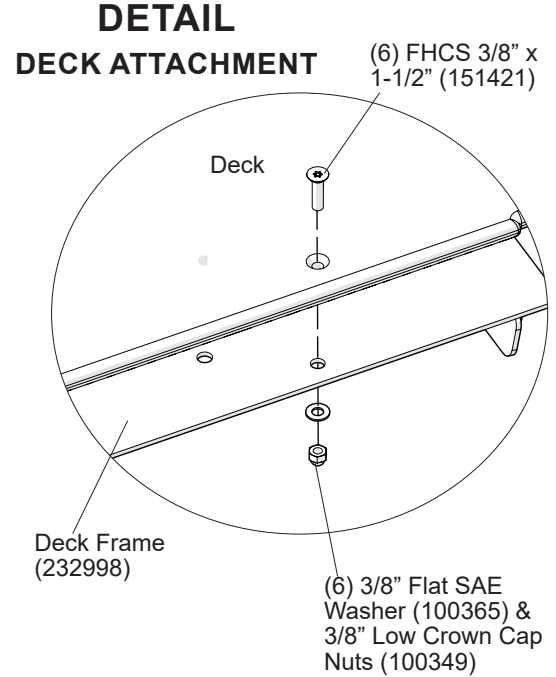
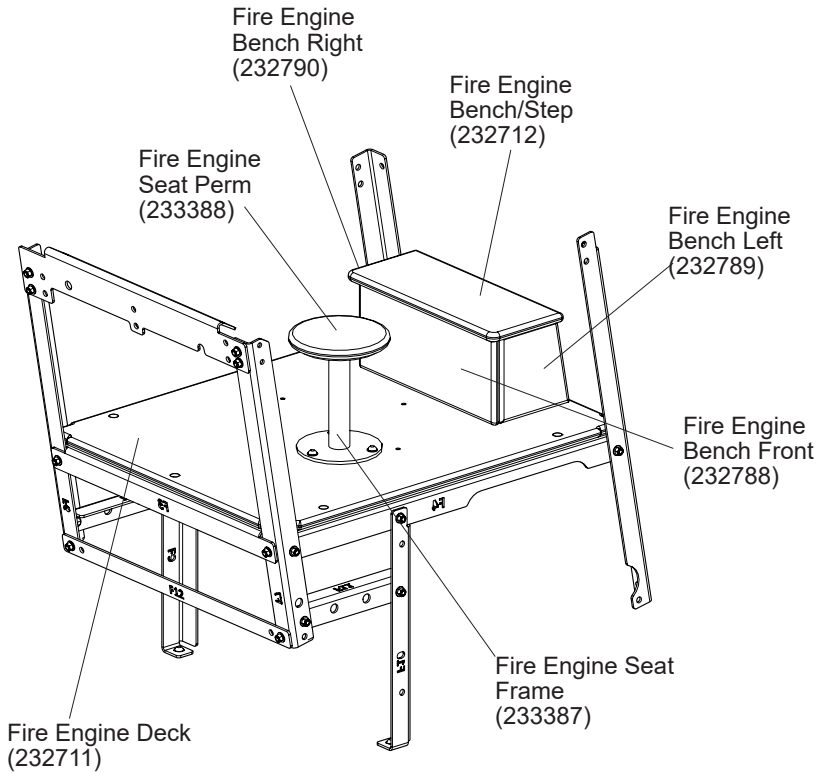
- 1) Attach Fire Engine frames and deck plate.
- 2) Attach Doghouse to Fire Station.

## DETAIL FRAME ASSEMBLY

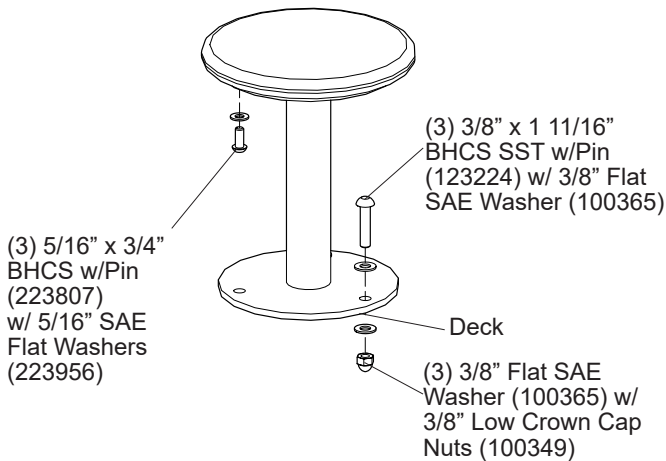


## DETAIL FIRE ENGINE ASSEMBLY, Continued

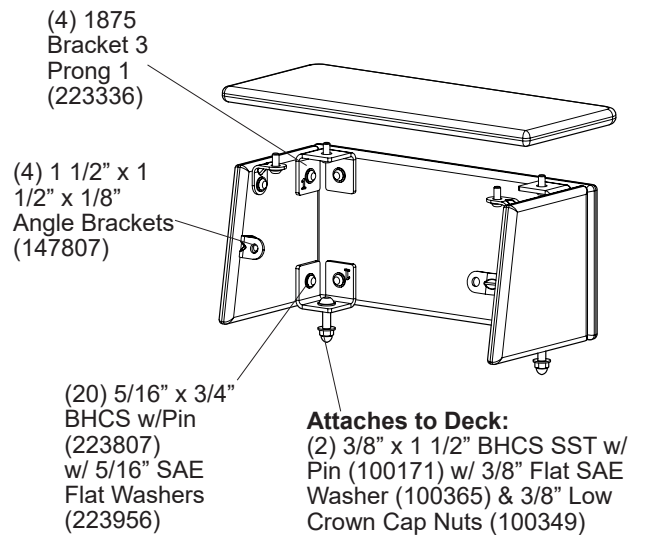
- 1) Attach Fire Engine deck, bench/step, and seat.



### DETAIL SEAT ATTACHMENT



### DETAIL BENCH/STEP ATTACHMENT



**IMPORTANT! Do not use impact driver on 5/16" x 3/4" BHCS w/Pin. Torque 5ft-lbs maximum.**

**DETAIL**

**FIRE ENGINE ASSEMBLY, Continued**

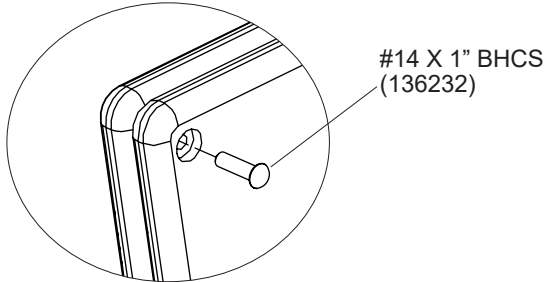
- 1) Attach Fire Engine panels.
- 2) Attach trim panels.
- 3) Attach remaining Fire Engine perm panel pieces.
- 4) Attach Bell 5" and Bell Striker.

**IMPORTANT! Do not use impact driver on 5/16" x 3/4" BHCS w/Pin. Torque 5ft-lbs maximum.**

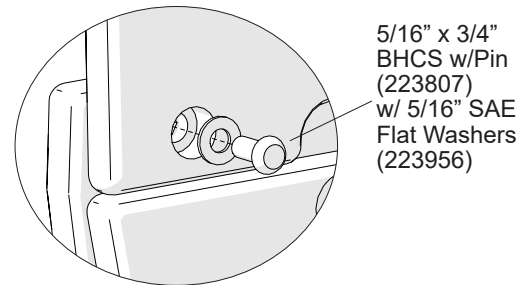
**NOTE: ATTACH BLINKES, LIGHTS, BELL TO PANEL 232700 BEFORE ASSEMBLING TO FRAME**

**ASSEMBLE BUMPER LIGHTS BEFORE ASSEMBLING TO THE TRUCK PANEL**

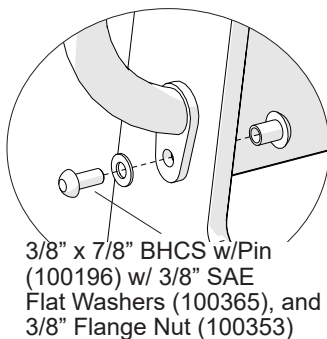
**DETAIL 1**



**DETAIL 2**

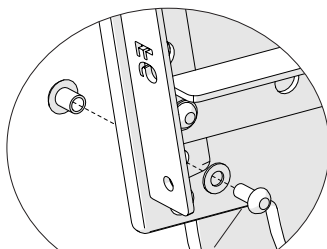


**DETAIL 3**

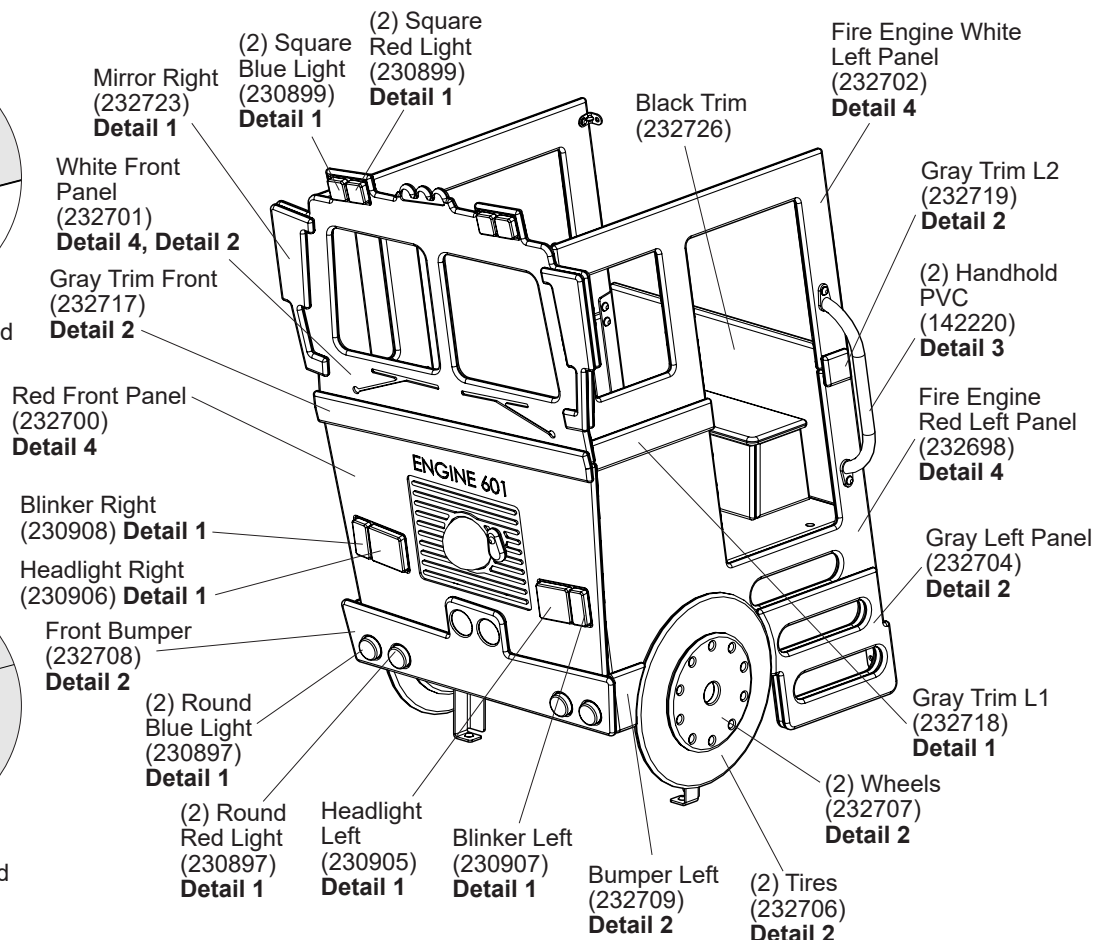


3/8" x 7/8" BHCS w/Pin (100196) w/ 3/8" SAE Flat Washers (100365), and 3/8" Flange Nut (100353)

**DETAIL 4**



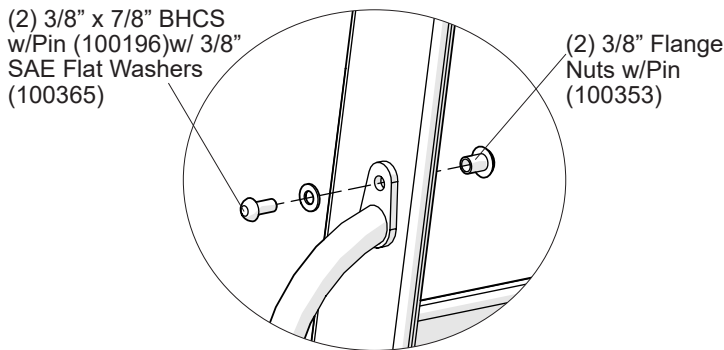
3/8" x 7/8" BHCS w/Pin (100196) w/ 3/8" SAE Flat Washers (100365), and 3/8" Flange Nut (100353)



**DETAIL**  
**FIRE ENGINE ASSEMBLY, Continued**

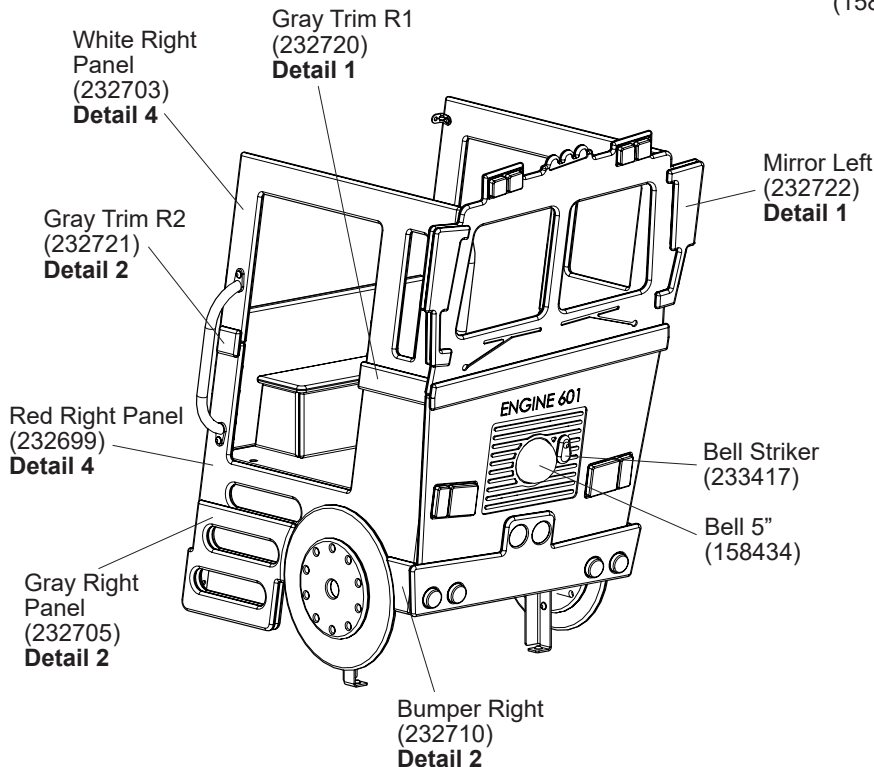
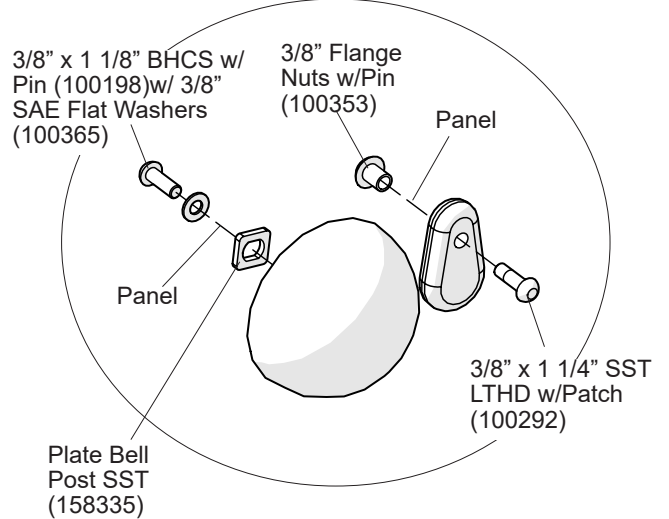
**IMPORTANT! Do not use impact driver on 5/16" x 3/4" BHCS w/Pin. Torque 5ft-lbs maximum.**

**DETAIL**  
**HANDHOLD ATTACHMENT**

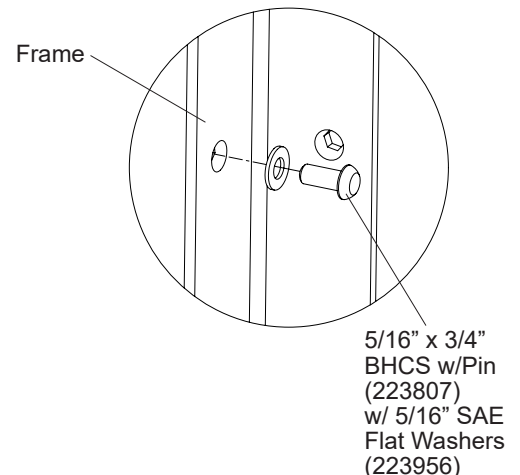


**NOTE: Detail callouts are reference on the previous page.**

**DETAIL**  
**BELL/BELL STRIKER ATTACHMENT**

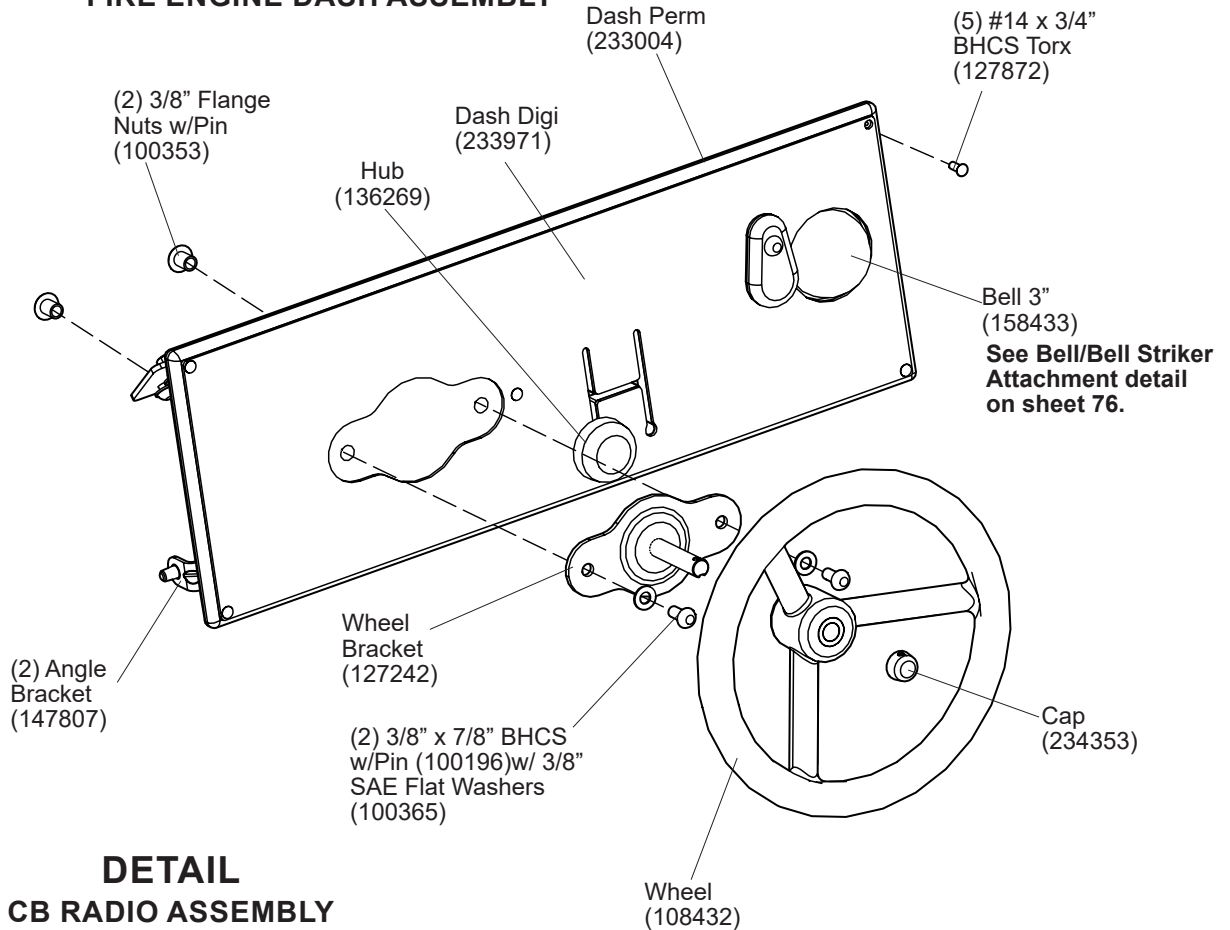


**DETAIL**  
**PANEL TO FRAME ATTACHMENT (TYPICAL)**

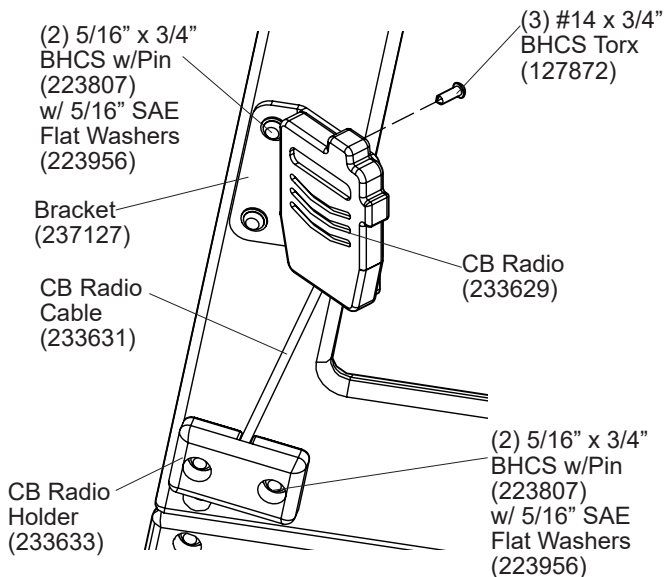


**NOTE: ASSEMBLE BELL, PANEL TO FRAME AND THEN ADD DIGIFUSE PANELS AND OTHER PARTS.**

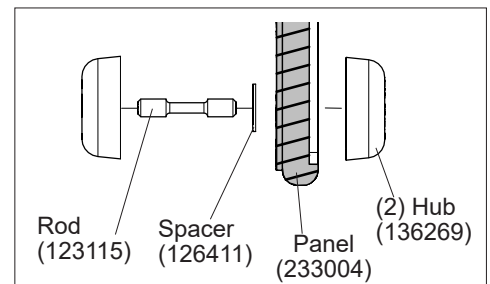
**DETAIL  
FIRE ENGINE DASH ASSEMBLY**



**DETAIL  
CB RADIO ASSEMBLY**

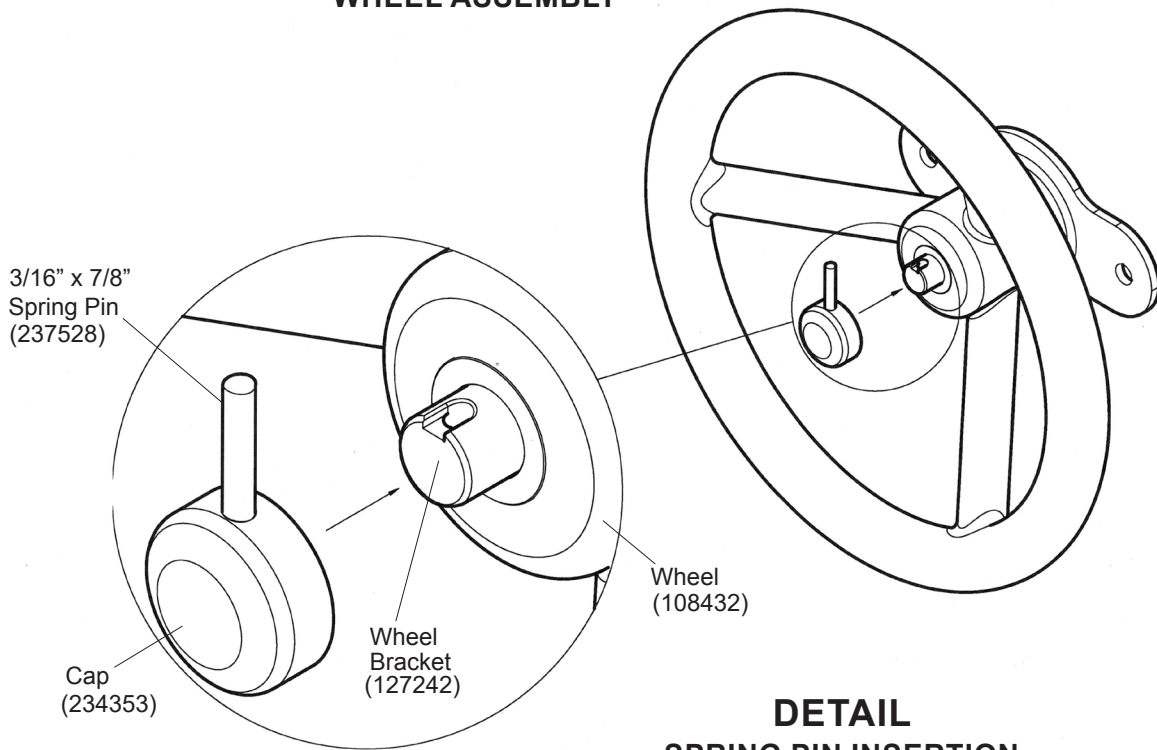


**DETAIL  
HUB ASSEMBLY**

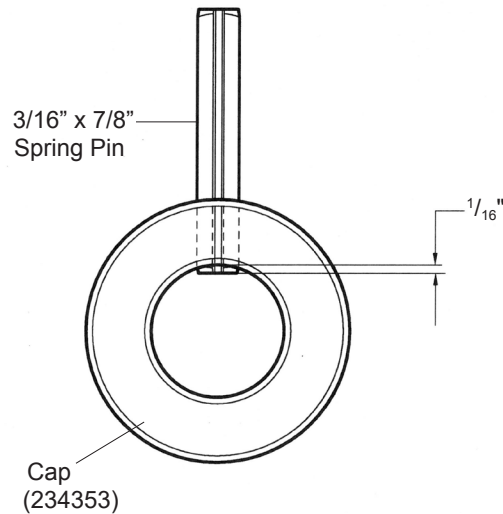


**IMPORTANT! Do not use impact driver on 5/16\"/>**

**DETAIL  
WHEEL ASSEMBLY**

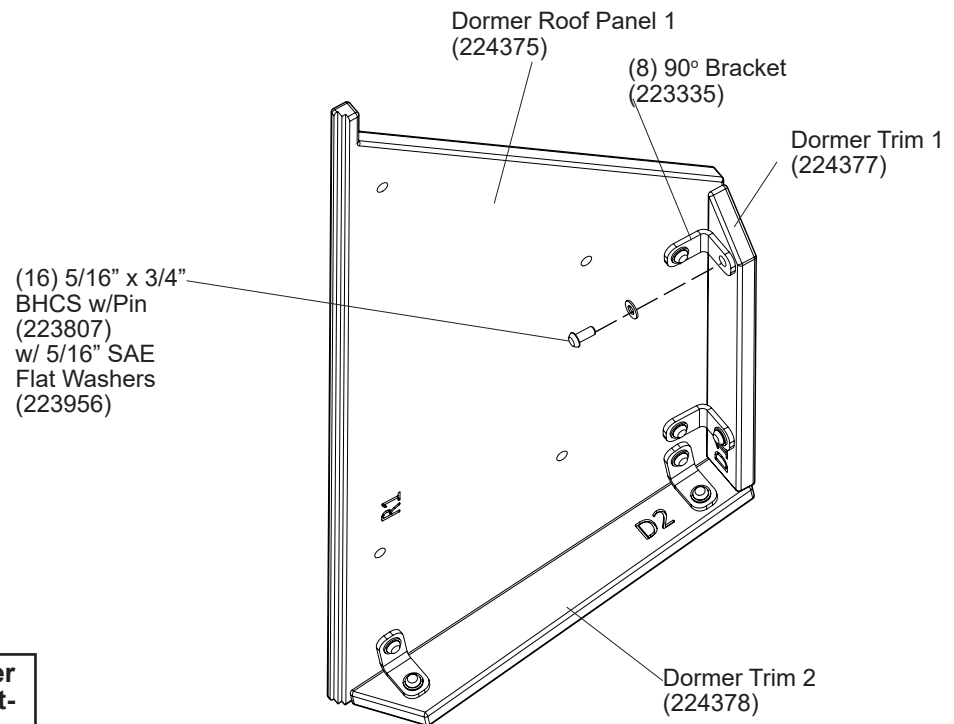
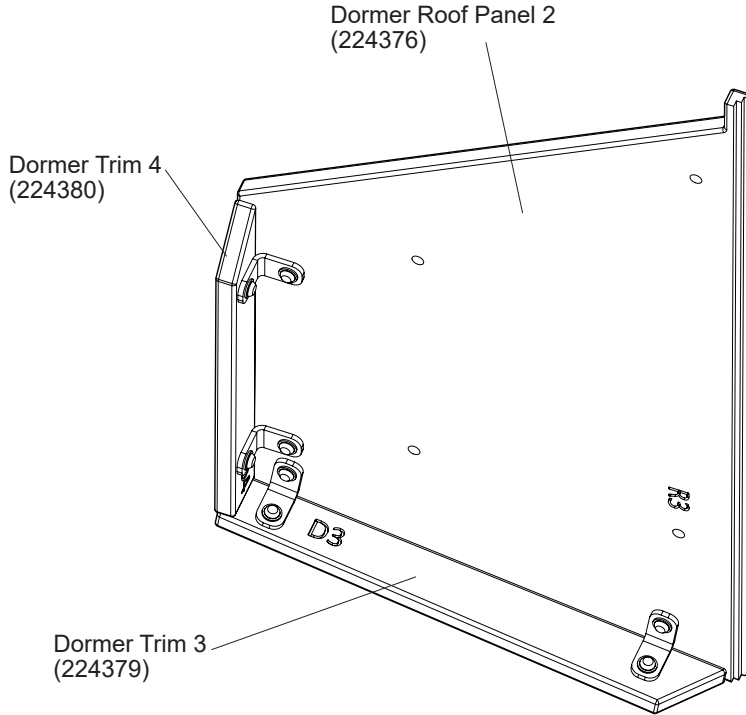


**DETAIL  
SPRING PIN INSERTION  
(CAP BACK VIEW)**



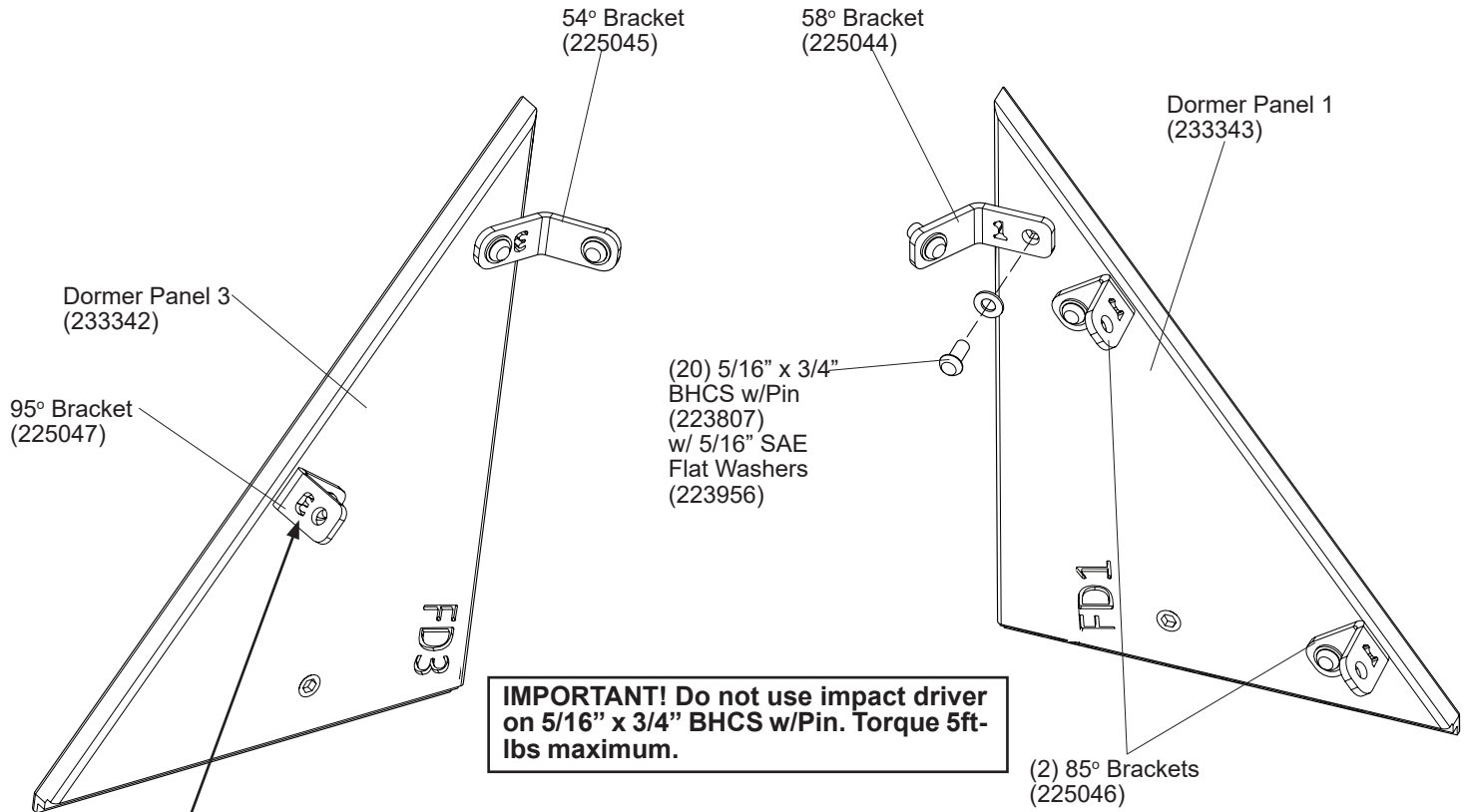
**NOTE:** To assist in the alignment of the cap to the wheel bracket shaft, tap spring pin through cap approximately 1/16". Orient spring pin to groove on wheel bracket shaft. Slide cap in place and tap spring pin through cap and shaft until flush.

**DETAIL  
DORMER ASSEMBLY**



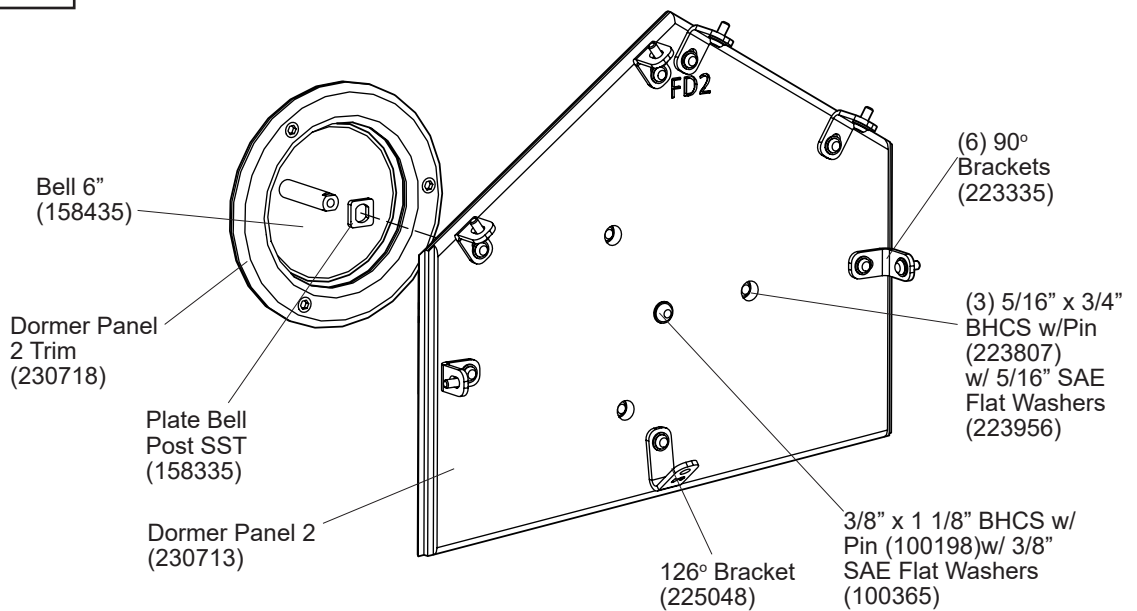
**IMPORTANT! Do not use impact driver on 5/16" x 3/4" BHCS w/Pin. Torque 5ft-lbs maximum.**

**DETAIL  
DORMER ATTACHMENT**



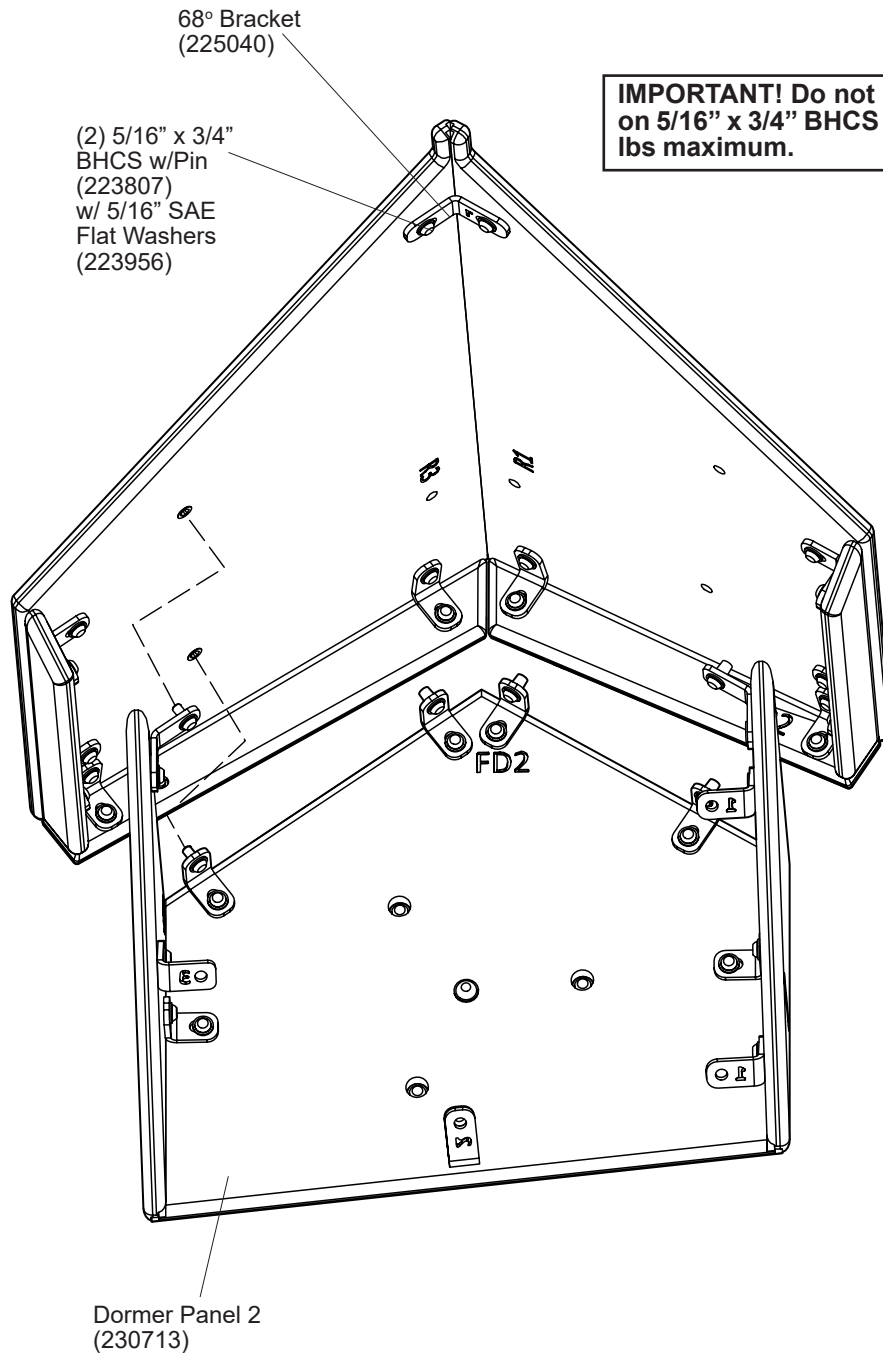
**IMPORTANT! Do not use impact driver on 5/16" x 3/4" BHCS w/Pin. Torque 5ft-lbs maximum.**

**NOTE: Brackets are numbered to match panels.**





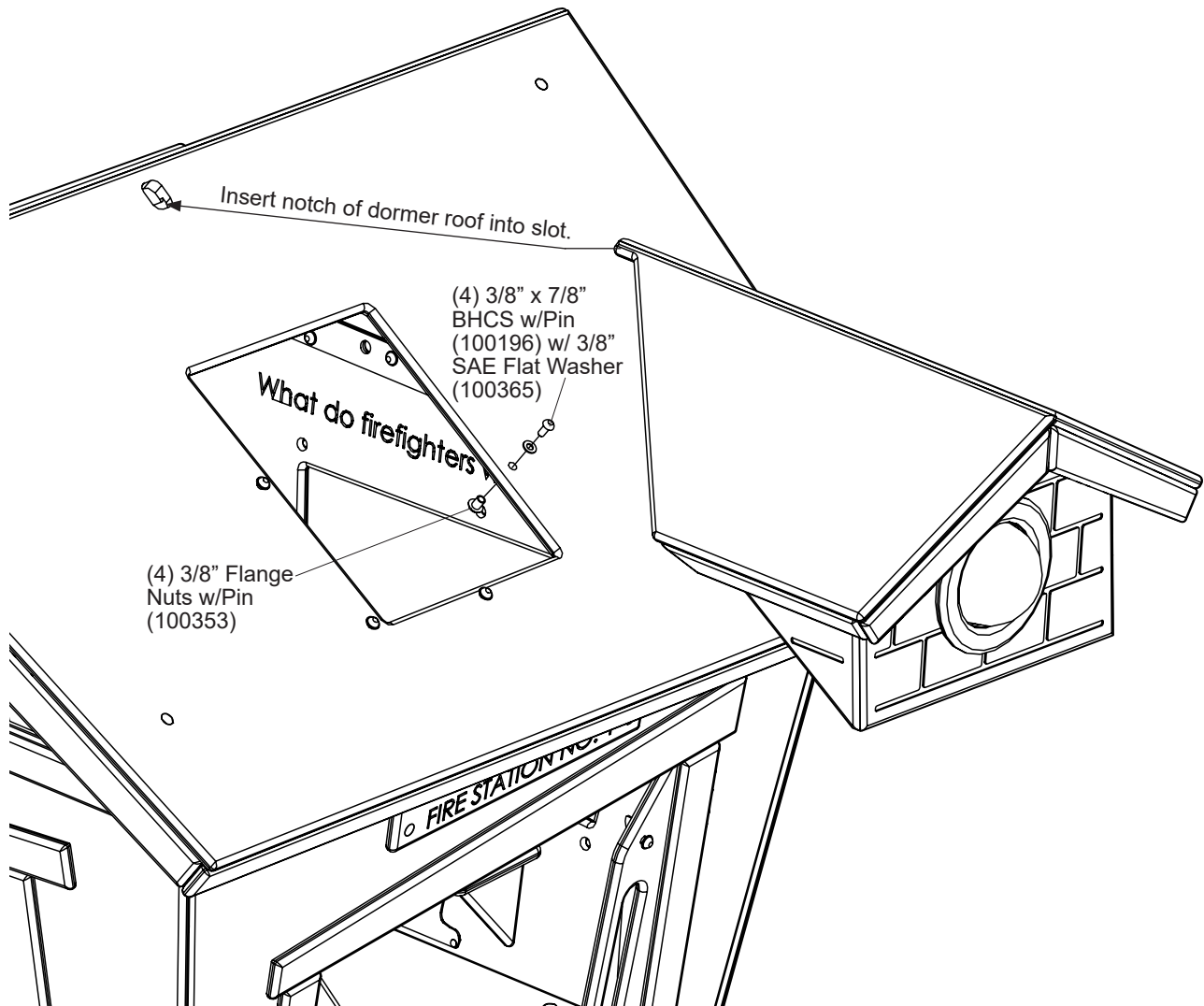
**DETAIL**  
**DORMER ASSEMBLY**  
**(BOTTOM VIEW)**



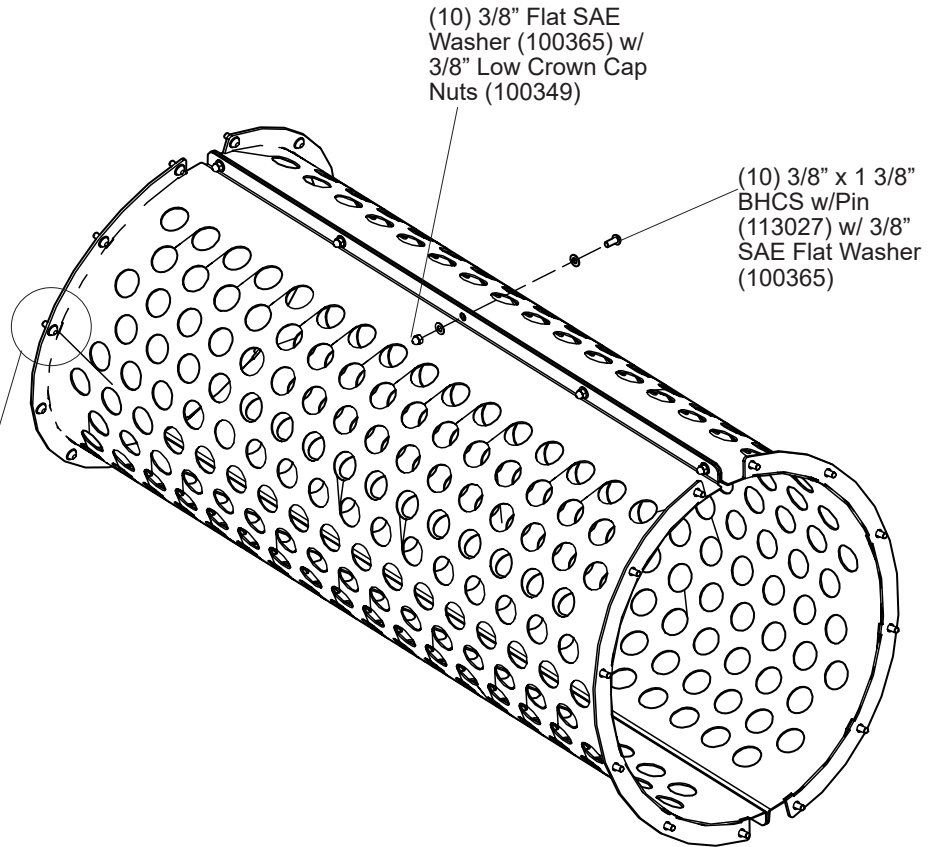
**IMPORTANT! Do not use impact driver on 5/16" x 3/4" BHCS w/Pin. Torque 5ft-lbs maximum.**

**DETAIL**  
**DORMER TO ROOF ASSEMBLY**

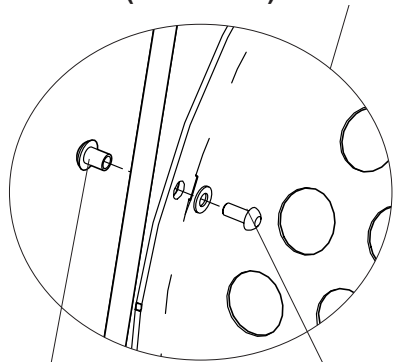
**NOTE: Attach dormer to roof by using the following hardware to attach to the brackets on the dormer.**



**DETAIL  
CRAWL TUNNEL ASSEMBLY**



**DETAIL  
CRAWL TUNNEL TO PANEL  
(TYPICAL)**



(24) 3/8" Flange Nuts w/Pin (100353)

(24) 3/8" x 7/8" BHCS w/Pin (100196) w/ 3/8" SAE Flat Washer (100365)

# Smart Play® 233081 Fire Station & Market Cafe

## Parts List

Part#	Description	Qty.
108432	Steering Whl Asy, Red .....	1
127162	Sgl Poly Sld 40-48i DK, Specify Color .....	1
127242	Brkt Strg Whl 3-3/16i Sft, Black .....	1
142220	Handhold Pvc, Gray .....	2
147807	Angle Brkt, White .....	46
151013	Sprt Dbl Poly 4-1/2i SM .....	1
158433	Bell 3I, Red .....	2
158434	Bell 5I, Red .....	1
158435	Bell 6I, Red .....	1
164365	Sprt Poly Sld DB, Specify Color .....	1
185609	Wld DB Perm Bench Leg DB, Specify Color .....	1
197312	Pipe Bolt Lock .....	1
222511	SP Loft 2-5 Stl Base, Specify Color .....	8
222614	SP Loft 2-5 Vert Corner Front, Specify Color .....	4
222615	SP Loft Vert Corner Back, Specify Color .....	4
222878	SP Loft 2-5 Stair Base A, Gray .....	1
222973	SP Loft 2-5 Stair Base B, Gray .....	1
222991	Club 2-5 Stair Gripx Large, Black .....	1
222994	Club 2-5 Stair Gripx Small, Black .....	1
223049	Clubhouse 2-5 Stair Fence, White .....	2
223051	SP Loft 2-5 Stair Base D, Gray .....	2
223103	SP Loft LH Stair Post SM, White .....	1
223198	Smart Upper Frame Tab, White .....	8
223335	.1875 Bracket 90 Deg, White .....	75
223336	.1875 Bracket Three Prong 1, Specify Color .....	4
223970	3i Sq Post Cap, Specify Color .....	8
224160	Nook Triangle, Gray/Black .....	3
224234	SP Loft Transfer Base, Gray .....	1
224249	SP Loft Tread 3 And 4, Black .....	2
224251	SP Loft RH Transfer Post SM, White .....	1
224252	SP Loft LH Transfer Post SM, White .....	1
224253	SP Lost Fh Post SM, White .....	1
224276	SP Loft Step Side Plate, Gray .....	2
224289	SP Loft Stl Frm 3 Ft Cbra, Specify Color .....	1
224289	SP Loft Stl Frm 3 Ft Cbra, Specify Color .....	1
224290	SP Loft Stl Frm 4 Back Cbra, Specify Color .....	2
224291	SP Loft Stl Frm 5 Rf Ft R, Specify Color .....	2
224292	SP Loft Stl Frm 6 Rf Ft L, Specify Color .....	2
224293	SP Loft Stl Frm 7 Rf Back R, Specify Color .....	2
224294	SP Loft Stl Frm 8 Rf Back L, Specify Color .....	2
224295	SP Loft Stl Frm 9 Rf L Cbra, Specify Color .....	2
224296	SP Loft Stl Frm 10 Rf R Cbra, Specify Color .....	2
224297	SP Loft Stl Frm 11 Rf Pk, Specify Color .....	2
224298	SP Loft Step Handrail, Specify Color .....	2
224333	SP Loft Rf R Pnl, Gray/Black .....	1
224334	SP Loft Rf L Pnl, Gray/Black .....	2
224348	SP Loft Lwr Fr Trim, White .....	2
224351	SP Loft Lwr R Trim, White .....	2
224352	SP Loft Lwr Rear Trim, White .....	2
224354	SP Loft Fr Door Trim Top, White .....	1
224359	SP Loft Up Fr Trim, White .....	2
224360	SP Loft Up Rear Trim, White .....	2
224362	SP Loft Slide Hood Side RH, Specify Color .....	1
224363	SP Loft Slide Hood Side LH, Specify Color .....	1
224384	SP Loft Slide Hood Bracket LH, Specify Color .....	1
224385	SP Loft Slide Hood Bracket RH, Specify Color .....	1
224416	SP Loft Seat Bracket, Specify Color .....	4
224418	SP Loft Rf Trm 2, White .....	4
224498	SP Loft Slide Spacer, Specify Color .....	1
224545	SP Loft Base, Specify Color .....	2
224959	Nook Carrot Digifuse .....	1
225006	SP Loft Top Step, Gray .....	1
225039	SP Loft Deck Frame, Specify Color .....	2
225040	Loft 68 Deg Brkt, White .....	1
225044	Loft 58 Deg Brkt, White .....	1
225045	Loft 54 Deg Brkt, White .....	1
225046	Loft 85 Deg Brkt, White .....	2
225047	Loft 95 Deg Brkt, White .....	1
225048	Loft 126 Deg Brkt, White .....	1
225123	SP Loft Frame Spacer A, Specify Color .....	8
225124	SP Loft Frame Spacer B, Specify Color .....	4
225125	SP Loft Frame Spacer C, Specify Color .....	8
225128	SP Loft Frame Spacer D, Specify Color .....	4
225161	SP Loft Leg DB, Specify Color .....	12
225790	SP Loft LH Stair Post DB, White .....	1
225791	SP Loft RH Stair Post DB, White .....	1
225792	SP Loft LH Transfer Post DB, White .....	1
225793	SP Loft RH Transfer Post DB, White .....	1
258782	Centre Main Deck, Black .....	1
229425	Market Lwr Fr Pnl, Brick/Black .....	1
229428	Market Lwr R Pnl, Brick/Black .....	1
229429	Market Up Fr Pnl, Specify Color .....	1
229431	Market Up Rear Pnl, Specify Color .....	1
229432	Market Up R Pnl, Specify Color .....	1
229433	Market Apex Fr Pnl, Specify Color .....	1
229434	Market Apex Rear Pnl, Specify Color .....	1
229435	Market Rf R Pnl, Gray/Black .....	1
229463	Market Small Wdo, White .....	2
229464	Market Large Wdo, White .....	1
229643	Marketing Awning, Gray/Black .....	1
229644	Market Awning Trim Fr, White .....	1
229647	Market Awning Brkt, Specify Color .....	4
229648	Marketing Awning Sprt, Specify Color .....	2
229672	Market Veggie Stand Top, Acorn/Black .....	1
230312	Centre Crawl Tunl Pvc, Gray .....	2
230507	Centre Fence Post SM, White .....	4
230508	Centre Fence, White .....	4
230544	Fire Station Lwr L Pnl, Gray/Black .....	1
230545	Fire Station Lwr Rear Pnl, Gray/Black .....	1
230546	Fire Dept Lwr R Pnl, Gray/Black .....	1
230621	FS Doghouse Frm, Red .....	2
230624	FS Doghouse Up Fr Pnl, Red/Black .....	1
230625	FS Doghouse Up R Pnl, Red/Black .....	1
230626	FS Doghouse Up R Pnl, Red/Black .....	1
230901	Market Fr Door Trim 1, White .....	1
230902	Market Fr Door Trim 3, White .....	1
258781	Fire Station Up L Pnl, Specify Color .....	1
232107	Fire Station Up Rear Pnl, Specify Color .....	1
232108	Fire Station Up R Pnl, Specify Color .....	1
232110	Fire Station Apex Fr Pnl, Gray/Black .....	1
232111	Fire Station Apex Rear Pnl, Gray/Black .....	1
232112	Fire Station Up Fr Pnl With Tunnel, Specify Color .....	1
232113	Fire Station Lwr Fr Pnl With Tunnel, Gray/Black .....	1
232573	Fire Engine Door Trim 1, White .....	1
232575	Fire Engine Door Trim 3, White .....	1
232698	Fire Engine Red L Pnl, Red/Black .....	1
232699	Fire Engine Red R Pnl, Red/Black .....	1
229424	Centre Main Deck, Black .....	1

232700	Fire Engine Red Fr Pnl, Red/Black.....	1
232701	Fire Engine White Fr Pnl, White/Black.....	1
232711	Fire Engine Deck, Black.....	1
232987	Fire Engine Frm 1, Red.....	1
232988	Fire Engine Frm 2, Red.....	1
232989	Fire Engine Frm 3, Red.....	1
232990	Fire Engine Frm 4, Red.....	1
232991	Fire Engine Frm 5, Red.....	1
232992	Fire Engine Frm 6, Red.....	1
232993	Fire Engine Frm 7, Red.....	1
232994	Fire Engine Frm 8, Red.....	1
232995	Fire Engine Frm 9, Red.....	1
232996	Fire Engine Frm 10, Red.....	1
232997	Fire Engine Frm 11, Red.....	2
232998	Fire Engine Deck Plt, Red.....	1
232999	Fire Engine Dash Ctr Brkt, Red.....	1
233309	Doghouse Frm Side Rf, Red.....	1
233310	Doghouse Frm Peak, Red.....	1
233312	Doghouse RH Frm Rafter, Red.....	1
233313	Doghouse LH Frm Rafter, Red.....	1
233387	Fire Engine Seat Frm, Red.....	1
233631	Fire Engine Cb Radio Ca.....	1
233723	Doghouse RH Top Frm, Red.....	1
233731	Doghouse Mending Plt 7, Red.....	1
233760	Doghouse Mending Plt 8, Red.....	1
233766	Fire Engine Frm 12, Red.....	1
233893	Fire Station Hydrant Hose, White.....	1
233971	Fire Engine Dash Digi.....	1
233974	Fire Station Activity Pnl Digi.....	1
233977	Fire Station Fire Coat Digi.....	1
233980	Fire Station Boots Digi.....	1
233983	Fire Station Extinguisher Digi.....	1
233986	Fire Station Air Mask Digi.....	1
234065	Fire Coat Mirror SST.....	1
234066	Air Mask Mirror SST.....	1
234149	Fire Hydrant Roto, Red.....	1
234331	Fire Station Dog Digi.....	1
234353	Cap Steering Wheel Pnt, White.....	1
234411	Market Table Frm SM, Specify Color.....	1
234586	Market Table Brkt, Specify Color.....	1
235090	Market Menu Digi.....	1
235094	Market Find Digi.....	1
235101	Market Plate Digi Salad.....	1
235102	Market Plate Digi Eggs.....	1
235103	Market Plate Digi Chicken.....	1
235106	Market Cafe Sign Digi.....	1
235109	Market Stand Digi.....	1
235112	Market Eggplant Digi.....	1
235115	Market Tomato Digi.....	1
235118	Market Sweet Potato Digi.....	1
235203	Market Planter Digi.....	1
236574	98 Deg Ang Brkt 1.5 X 1.5 X 1/8 Pnt, White.....	2
236602	Market Cash Register Digi.....	1
236735	Market Upr L Pnl With Tunnel, Specify Color.....	1
236789	Centre Fence Post DB, White.....	4
236790	Market Table Frm DB, Specify Color.....	1
236862	Market Lwr L Pnl With Tunnel, Brick/Black.....	1
237040	Market Lwr Rear Pnl With Fire Station, Brick/Black..	1
237126	Fire Hydrant Leg DB, Red.....	1
237127	Fire Engine Cb Brkt, White.....	1
237201	Market Open Sign Knob, Specify Color.....	1
136269	Hub.....	2

## 238632

224079	Flower Spinner Perm, Brick/Black.....	1
224079	Flower Spinner Perm, Tangerine/Black.....	1
224413	SP Loft L Wdo Frm, White.....	1
224417	SP Loft Rf Trm 1, White.....	1
224419	SP Loft Rf Trm 3, White.....	1
224420	SP Loft Rf Trm 4, White.....	1
224421	SP Loft Rf Trm 6, White.....	1
224500	SP Loft Roof Window Polycarbonate.....	1
224501	SP Loft Grass Perm Left, Leaf/Black.....	3
224512	SP Loft Grass Perm Right, Leaf/Black.....	3
229465	Centre Apex Wdo, White.....	2
229645	Marketing Awning Trim L, White.....	1
229646	Market Awning Trim R, White.....	1
229673	Market Veggie Stand L, Acorn/Black.....	1
229674	Market Veggie Stand R, Acorn/Black.....	1
233885	Centre Bench Perm Top, Gray/Black.....	1
233886	Centre Bench Perm L, Gray/Black.....	1
233887	Centre Bench Perm R, Gray/Black.....	1
234412	Market Table, Gray/Black.....	1
234413	Market Table Seat, Acorn/Black.....	2
234466	Market Plate Perm, White/Black.....	3
234467	Market Cafe Sign Trim 1, White.....	1
234469	Market Planter Perm 1, Acorn/Black.....	1
234470	Market Planter Perm 2, Acorn/Black.....	1
234471	Market Planter Perm 3, Acorn/Black.....	1
235060	Market Large Wdo Polycarbonate.....	1
235076	Market Open Sign, White/Black.....	1
235167	Lg Flower Spinner Perm, Yellow/Black.....	1
235397	Market Eggplant Perm, Black.....	1
235398	Market Tomato Perm, Black.....	1
235400	Market Sweet Potato Perm, Black.....	1
235401	Market Carrot Perm, Black.....	1
237009	Leaf Striker, Limon/Black.....	1

## 238633

224349	SP Loft Lwr L Trim 1, White.....	1
224350	SP Loft Lwr L Trim 2, White.....	1
224361	SP Loft Slide Hood Roof, Gray/Black.....	1
224375	SP Loft Dormer Rf Pnl 1, Gray/Black.....	1
224376	SP Loft Dormer Rf Pnl 2, Gray/Black.....	1
224377	SP Loft Dormer Trm 1, White.....	1
224378	SP Loft Dormer Trm 2, White.....	1
224379	SP Loft Dormer Trm 3, White.....	1
224380	SP Loft Dormer Trm 4, White.....	1
224413	SP Loft L Wdo Frm, White.....	1
224414	SP Loft Rear Wdo Frm, White.....	1
224417	SP Loft Rf Trm 1, White.....	1
224419	SP Loft Rf Trm 3, White.....	1
224420	SP Loft Rf Trm 4, White.....	1
224421	SP Loft Rf Trm 6, White.....	1
224499	SP Loft Rear Window Polycarbonate.....	1
224500	SP Loft Roof Window Polycarbonate.....	1
224501	SP Loft Grass Perm Left, Leaf/Black.....	1
224512	SP Loft Grass Perm Right, Leaf/Black.....	1
229465	Centre Apex Wdo, White.....	2
230622	FS Doghouse Lwr R Pnl, Gray/Black.....	1
230623	FS Doghouse Lwr R Pnl, Gray/Black.....	1
230627	FS Doghouse Roof L Pnl, Gray/Black.....	1
230628	FS Doghouse Roof R Pnl, Gray/Black.....	1
230629	FS Doghouse Trim Fr, White.....	1
230631	FS Doghouse Trim R, White.....	1
230713	Fire Station Dormer Pnl 2, Gray/Black.....	1
230718	Fire Station Dormer Pnl 2 Trim, White.....	1
230897	Fire Eng Rnd Light, Blue/Black.....	2

<b>Market Cafe Boxed Set.....</b>	<b>1</b>
Flower Spinner Perm, Brick/Black.....	1
Flower Spinner Perm, Tangerine/Black.....	1
SP Loft L Wdo Frm, White.....	1
SP Loft Rf Trm 1, White.....	1
SP Loft Rf Trm 3, White.....	1
SP Loft Rf Trm 4, White.....	1
SP Loft Rf Trm 6, White.....	1
SP Loft Roof Window Polycarbonate.....	1
SP Loft Grass Perm Left, Leaf/Black.....	3
SP Loft Grass Perm Right, Leaf/Black.....	3
Centre Apex Wdo, White.....	2
Marketing Awning Trim L, White.....	1
Market Awning Trim R, White.....	1
Market Veggie Stand L, Acorn/Black.....	1
Market Veggie Stand R, Acorn/Black.....	1
Centre Bench Perm Top, Gray/Black.....	1
Centre Bench Perm L, Gray/Black.....	1
Centre Bench Perm R, Gray/Black.....	1
Market Table, Gray/Black.....	1
Market Table Seat, Acorn/Black.....	2
Market Plate Perm, White/Black.....	3
Market Cafe Sign Trim 1, White.....	1
Market Planter Perm 1, Acorn/Black.....	1
Market Planter Perm 2, Acorn/Black.....	1
Market Planter Perm 3, Acorn/Black.....	1
Market Large Wdo Polycarbonate.....	1
Market Open Sign, White/Black.....	1
Lg Flower Spinner Perm, Yellow/Black.....	1
Market Eggplant Perm, Black.....	1
Market Tomato Perm, Black.....	1
Market Sweet Potato Perm, Black.....	1
Market Carrot Perm, Black.....	1
Leaf Striker, Limon/Black.....	1
<b>Fire Station Boxed Set.....</b>	<b>1</b>
SP Loft Lwr L Trim 1, White.....	1
SP Loft Lwr L Trim 2, White.....	1
SP Loft Slide Hood Roof, Gray/Black.....	1
SP Loft Dormer Rf Pnl 1, Gray/Black.....	1
SP Loft Dormer Rf Pnl 2, Gray/Black.....	1
SP Loft Dormer Trm 1, White.....	1
SP Loft Dormer Trm 2, White.....	1
SP Loft Dormer Trm 3, White.....	1
SP Loft Dormer Trm 4, White.....	1
SP Loft L Wdo Frm, White.....	1
SP Loft Rear Wdo Frm, White.....	1
SP Loft Rf Trm 1, White.....	1
SP Loft Rf Trm 3, White.....	1
SP Loft Rf Trm 4, White.....	1
SP Loft Rf Trm 6, White.....	1
SP Loft Rear Window Polycarbonate.....	1
SP Loft Roof Window Polycarbonate.....	1
SP Loft Grass Perm Left, Leaf/Black.....	1
SP Loft Grass Perm Right, Leaf/Black.....	1
Centre Apex Wdo, White.....	2
FS Doghouse Lwr R Pnl, Gray/Black.....	1
FS Doghouse Lwr R Pnl, Gray/Black.....	1
FS Doghouse Roof L Pnl, Gray/Black.....	1
FS Doghouse Roof R Pnl, Gray/Black.....	1
FS Doghouse Trim Fr, White.....	1
FS Doghouse Trim R, White.....	1
Fire Station Dormer Pnl 2, Gray/Black.....	1
Fire Station Dormer Pnl 2 Trim, White.....	1
Fire Eng Rnd Light, Blue/Black.....	2

# Smart Play® 233081 Fire Station & Market Cafe

230897	Fire Eng Rnd Light, Red/Black .....	2	151421	FHCS 6LP 3/8X1-1/2i SST.....	8
230899	Fire Eng Sqr Light, Blue/Black .....	2	223807	BHCS 6LP 5/16i -18 X 3/4i SST .....	48
230899	Fire Eng Sqr Light, Red/Black.....	2	223956	Washer Flat SAE 5/16i SST .....	48
230905	Fire Eng Headlight L, White/Black .....	1			
230906	Fire Eng Headlight R, White/Black .....	1	<b>238296</b>	<b>Hdw Pkg Fire Station Fire Engine .....</b>	<b>1</b>
230907	Fire Eng Blinker L, Yellow/Black.....	1	100171	BHCS 6LP 3/8X1-1/2i SST PAT.....	4
230908	Fire Eng Blinker R, Yellow/Black .....	1	100196	BHCS 6LP 3/8X7/8i SST.....	61
232574	Fire Engine Door Trim 2, White .....	1	100198	BHCS 6LP 3/8X1-1/8i SST .....	2
232702	Fire Engine White L Pnl, White/Black .....	1	100252	FHCS 3/8X1-1/4i SST .....	2
232703	Fire Engine White R Pnl, White/Black.....	1	100292	BHCS 6L Lthd 3/8X1-1/4SST .....	2
232704	Fire Engine Gray L Pnl, Gray/Black.....	1	100327	Nut Hex Std 3/8-16 SST .....	18
232705	Fire Engine Gray R Pnl, Gray/Black .....	1	100349	Nut L/C Cap 3/8-16 SST .....	15
232706	Fire Engine Tire, Black .....	2	100353	Flg Nut 6LP 3/8-16 SST .....	45
232707	Fire Engine Wheel, White/Black .....	2	100365	Washer Flat SAE 3/8i SST.....	101
232708	Fire Engine Fr Bumper, Gray/Black .....	1	113027	BHCS 6LP 3/8X1-3/8i SST .....	2
232709	Fire Engine Bumper L, Gray/Black .....	1	113550	Washer Flat SAE 1/2i SST .....	2
232710	Fire Engine Bumper R, Gray/Black.....	1	123115	Thd Rod 3/8-16 X 2-1/16i .....	1
232712	Fire Engine Bench/Step, Black .....	1	123224	BHCS 6LP 3/8X1-11/16i SST .....	3
232717	Fire Engine Gray Trim Fr, Gray/Black .....	1	126411	Spacer Nylon .562 Id .....	2
232718	Fire Engine Gray Trim L1, Gray/Black .....	1	127872	BHCS Torx #14 X 3/4 SST Thread Type AB .....	8
232719	Fire Engine Gray Trim L2, Gray/Black .....	1	136232	BHCS Torx #14 X 1i SST.....	32
232720	Fire Engine Gray Trim R1, Gray/Black .....	1	151421	FHCS 6LP 3/8X1-1/2i SST.....	6
232721	Fire Engine Gray Trim R2, Gray/Black .....	1	158335	Plate Bell Post SST .....	2
232722	Fire Engine Mirror L, Gray/Black .....	1	223807	BHCS 6LP 5/16i -18 X 3/4i SST .....	79
232723	Fire Engine Mirror R, Gray/Black .....	1	223956	Washer Flat SAE 5/16i SST.....	79
232726	Fire Engine Black Trim, Black .....	1	237528	Spring Pin 3/16X7/8i SST .....	1
232788	Fire Engine Bench Fr, Gray/Black.....	1			
232789	Fire Engine Bench L, Gray/Black.....	1	<b>238297</b>	<b>Hdw Pkg Fire Station Digifuse Panels .....</b>	<b>1</b>
232790	Fire Engine Bench R, Gray/Black .....	1	127872	BHCS Torx #14 X 3/4 SST Thread Type AB .....	19
232966	Lower Right Fnt Pnl Dog House Pnl, Gray/Black	1			
232967	Doghouse Lwr Right Fnt Pnl, Gray/Black.....	1	<b>238298</b>	<b>Hdw Pkg Fire Station/Market Cafe Bench.....</b>	<b>2</b>
233004	Fire Engine Dash Perm, Red/Black .....	1	223807	BHCS 6LP 5/16i -18 X 3/4i SST .....	12
233027	Perm Fr R Trim, White .....	1	223956	Washer Flat SAE 5/16i SST .....	12
233028	Perm Fr L Trim, White.....	1			
233029	Perm RH Side Trim, White .....	2	<b>238299</b>	<b>Hdw Pkg Village Fence.....</b>	<b>4</b>
233342	FS Dormer Pnl 3, Gray/Black .....	1	100196	BHCS 6LP 3/8X7/8i SST.....	4
233343	FS Dormer Pnl 1, Gray/Black .....	1	100353	Flg Nut 6LP 3/8-16 SST .....	4
233388	Fire Engine Seat Perm, Gray/Black .....	1	100365	Washer Flat SAE 3/8i SST.....	4
233417	Fire Engine Bell Striker, Gray/Black.....	2	100611	Rivet 1/4X3/8i Drv As .....	2
233629	Fire Engine CB Radio Perm, Gray/Black .....	1			
233633	Fire Engine CB Radio Holder, White/Black.....	1	<b>238300</b>	<b>Hdw Pkg Fire Station Dog House.....</b>	<b>1</b>
233795	FS Grass, Leaf/Black .....	1	100196	BHCS 6LP 3/8X7/8i SST.....	14
233885	Centre Bench Perm Top, Gray/Black.....	1	100292	BHCS 6L Lthd 3/8X1-1/4SST .....	1
233886	Centre Bench Perm L, Gray/Black .....	1	100327	Nut Hex Std 3/8-16 SST .....	12
233887	Centre Bench Perm R, Gray/Black .....	1	100353	Flg Nut 6LP 3/8-16 SST .....	1
233894	Fire Station Hydrant Splash Perm, Sky/Black.....	1	100365	Washer Flat SAE 3/8i SST.....	26
233895	Fire Station Hydrant Knob, Gray/Black .....	2	127872	BHCS Torx #14 X 3/4 SST Thread Type AB .....	4
233917	Fire Station Hydrant Nozzle, Gray/Black.....	2	223807	BHCS 6LP 5/16i -18 X 3/4i SST .....	80
233920	FS Dog Bone, White .....	1	223956	Washer Flat SAE 5/16i SST.....	80
233999	FS Dog Digi Backer, White .....	1			
234011	Fire Station No. 1 Sign, White/Black .....	1	<b>238301</b>	<b>Hdw Pkg Slide/Slide Hood .....</b>	<b>1</b>
234075	Doghouse Sparky Sign, White/Black.....	1	100196	BHCS 6LP 3/8X7/8i SST.....	8
234222	FS Doghouse Door Trim RH, White.....	1	100292	BHCS 6L Lthd 3/8X1-1/4SST .....	2
			100327	Nut Hex Std 3/8-16 SST .....	2
			100353	Flg Nut 6LP 3/8-16 SST .....	4
<b>238292</b>	<b>Hdw Pkg Fire Station Frame .....</b>	<b>1</b>	100362	Washer Flat 3/8i SST .....	4
100196	BHCS 6LP 3/8X7/8i SST.....	54	100365	Washer Flat SAE 3/8i SST.....	10
100327	Nut Hex Std 3/8-16 SST .....	50	111442	Bush Rubber #871.....	2
100365	Washer Flat SAE 3/8i SST.....	104	223807	BHCS 6LP 5/16i -18 X 3/4i SST .....	12
<b>238293</b>	<b>Hdw Pkg Village Main Panels.....</b>	<b>2</b>	223956	Washer Flat SAE 5/16i SST.....	12
100196	BHCS 6LP 3/8X7/8i SST.....	54			
100252	FHCS 3/8X1-1/4i SST .....	8	<b>238302</b>	<b>Hdw Pkg Fire Station Dormer.....</b>	<b>1</b>
100349	Nut L/C Cap 3/8-16 SST.....	16	100196	BHCS 6LP 3/8X7/8i SST.....	4
100353	Flg Nut 6LP 3/8-16 SST .....	54	100198	BHCS 6LP 3/8X1-1/8i SST .....	1
100365	Washer Flat SAE 3/8i SST.....	70			



# Smart Play® 233081 Fire Station & Market Cafe

100353	Flg Nut 6LP 3/8-16 SST .....	4
100365	Washer Flat SAE 3/8i SST.....	5
158335	Plate Bell Post SST .....	1
223807	BHCS 6LP 5/16i -18 X 3/4i SST .....	41
223956	Washer Flat SAE 5/16i SST.....	41
<b>238303</b>	<b>Hdw Pkg Fire Station Grass .....</b>	<b>1</b>
223807	BHCS 6LP 5/16i -18 X 3/4i SST .....	6
223956	Washer Flat SAE 5/16i SST.....	6
<b>238304</b>	<b>Hdw Pkg Stairs.....</b>	<b>1</b>
100196	BHCS 6LP 3/8X7/8i SST.....	44
100198	BHCS 6LP 3/8X1-1/8i SST .....	2
100252	FHCS 3/8X1-1/4i SST .....	17
100327	Nut Hex Std 3/8-16 SST .....	2
100349	Nut L/C Cap 3/8-16 SST.....	50
100353	Flg Nut 6LP 3/8-16 SST .....	15
100365	Washer Flat SAE 3/8i SST.....	102
100611	Rivet 1/4X3/8i Drv As .....	8
113027	BHCS 6LP 3/8X1-3/8i SST .....	8
<b>238305</b>	<b>Hdw Pkg Fire Station Fire Hydrant DB .....</b>	<b>1</b>
100171	BHCS 6LP 3/8X1-1/2i SST Pat.....	4
100198	BHCS 6LP 3/8X1-1/8i SST .....	2
100292	BHCS 6L Lthd 3/8X1-1/4SST .....	1
100327	Nut Hex Std 3/8-16 SST .....	4
100362	Washer Flat 3/8i SST .....	8
100365	Washer Flat SAE 3/8i SST.....	2
129672	BHCS Torx #14 X 1-1/4 SST.....	4
100292	BHCS 6LP Lthd 3/8 X 1-1/4 SST W/Patch .....	2
223807	BHCS 6LP 5/16i -18 X 3/4i SST .....	4
223956	Washer Flat SAE 5/16i SST.....	4
<b>238487</b>	<b>Hdw Pkg Fire Station Fire Hydrant SM.....</b>	<b>1</b>
100198	BHCS 6LP 3/8X1-1/8i SST .....	2
100292	BHCS 6L Lthd 3/8X1-1/4SST .....	1
100365	Washer Flat SAE 3/8i SST.....	2
129672	BHCS Torx #14 X 1-1/4 SST.....	4
100292	BHCS 6LP Lthd 3/8 X 1-1/4 SST W/Patch .....	2
223807	BHCS 6LP 5/16i -18 X 3/4i SST .....	4
223956	Washer Flat SAE 5/16i SST.....	4
<b>238876</b>	<b>Hdw Pkg Market Cafe Frame .....</b>	<b>1</b>
100196	BHCS 6LP 3/8X7/8i SST.....	58
100327	Nut Hex Std 3/8-16 SST .....	54
100365	Washer Flat SAE 3/8i SST.....	112
<b>238881</b>	<b>Hdw Pkg Market Cafe Trim/Windows (Stand Alone)1</b>	
223807	BHCS 6LP 5/16i -18 X 3/4i SST .....	110
223956	Washer Flat SAE 5/16i SST.....	110
<b>238884</b>	<b>Hdw Pkg Trim/Windows .....</b>	<b>1</b>
223807	BHCS 6LP 5/16i -18 X 3/4i SST .....	95
223956	Washer Flat SAE 5/16i SST.....	95
<b>238893</b>	<b>Hdw Pkg Loft /Market Cafe Grass .....</b>	<b>1</b>
223807	BHCS 6LP 5/16i -18 X 3/4i SST .....	16
223956	Washer Flat SAE 5/16i SST.....	16
<b>238895</b>	<b>Hdw Pkg Market Cafe Digifuse Panels.....</b>	<b>1</b>
127872	BHCS Torx #14 X 3/4 SST Thread Type AB .....	22

<b>238897</b>	<b>Hdw Pkg Market Stand.....</b>	<b>1</b>
100198	BHCS 6LP 3/8X1-1/8i SST .....	1
100353	Flg Nut 6LP 3/8-16 SST .....	5
100365	Washer Flat SAE 3/8i SST.....	1
126411	Spacer Nylon .562 Id .....	5
127872	BHCS Torx #14 X 3/4 SST Thread Type AB .....	18
158335	Plate Bell Post SST .....	1
100292	BHCS 6LP Lthd 3/8 X 1-1/4 SST W/Patch .....	5
223807	BHCS 6LP 5/16i -18 X 3/4i SST .....	62
223956	Washer Flat SAE 5/16i SST.....	62
<b>238898</b>	<b>Hdw Pkg Market Cafe Planter .....</b>	<b>1</b>
100353	Flg Nut 6 LP 3/8-16 SST .....	3
126411	Spacer Nylon .562 Id .....	3
100292	BHCS 6LP Lthd 3/8 X 1-1/4 SST W/Patch .....	3
223807	BHCS 6LP 5/16i -18 X 3/4i SST .....	16
223956	Washer Flat SAE 5/16i SST.....	16
<b>238899</b>	<b>Hdw Pkg Market Cafe Open Sign.....</b>	<b>1</b>
100196	BHCS 6LP 3/8X7/8i SST.....	2
100365	Washer Flat SAE 3/8i SST.....	2
197312	Pipe Bolt Lock .....	1
<b>250161</b>	<b>Hdw Pkg Market Cafe Table .....</b>	<b>1</b>
100196	BHCS 6LP 3/8X7/8i SST.....	4
100327	Nut Hex Std 3/8-16 SST .....	2
100353	Flg Nut 6LP 3/8-16 SST .....	2
100365	Washer Flat SAE 3/8i SST.....	6
127872	BHCS Torx #14 X 3/4 SST Thread Type AB .....	9
175006	Flg Nut 6LP 5/16-18 SST .....	6
223807	BHCS 6LP 5/16i -18 X 3/4i SST .....	14
223956	Washer Flat SAE 5/16i SST.....	14
225364	Thd Rod 5/16 X 2 1/4 SST.....	3
<b>238903</b>	<b>Hdw Pkg Pvc Crawl Tunnel.....</b>	<b>1</b>
100196	BHCS 6LP 3/8X7/8i SST.....	24
100349	Nut L/C Cap 3/8-16 SST.....	10
100353	Flg Nut 6LP 3/8-16 SST .....	24
100365	Washer Flat SAE 3/8i SST.....	44
113027	BHCS 6LP 3/8 x 1 3/8i SST .....	10
<b>239336</b>	<b>Hdw Pkg Fire Station + Market Café Anchors SM.1</b>	
100263	Exp Anchor 3/8X2-3/4i Zp .....	54
100327	Nut Hex Std 3/8-16 SST .....	54
100365	Washer Flat SAE 3/8i SST.....	54
106187	Ang Brkt SST 1.75X2.625i.....	2
<b>239338</b>	<b>Hdw Pkg Smart Play Base Plate.....</b>	<b>2</b>
100327	Nut Hex Std 3/8-16 SST .....	4
100365	Washer Flat SAE 3/8i SST.....	8
127546	BHCS 6LP 3/8X7/8i SST.....	4
<b>239789</b>	<b>Hdw Pkg Smart Play® Tool Kit.....</b>	<b>1</b>
127463	Bit Hex Tpp T-27 (Torx).....	2
146007	Bit 5/16 6-Lobe T-45 Tamp .....	2
146017	Key 5/16i 6-Lobe T-45 .....	2

SM = Surface Mount  
DB = Direct Bury

## Specifications

<b>Frame:</b>	7GA. (.179")(4,54 mm) thick HRPO steel. Finish: ProShield®, color specified.
<b>Window:</b>	3/16" (4,74 mm) Thick clear polycarbonate.
<b>Post:</b>	7GA. (.179")(4,54 mm) thick HRPO steel. Finish: ProShield®, white in color.
<b>Stair Base:</b>	7GA. (.179")(4,54 mm) thick HRPO steel. Finish: ProShield®, dark gray in color.
<b>GripX Panels:</b>	.750" (19,05 mm) Thick Permalene, black in color.
<b>Panels:</b>	Recycled Permalene®, color specified.
<b>Trim:</b>	Recycled Permalene, white in color.
<b>Fence:</b>	Recycled Permalene, white in color.
<b>Fence Rail:</b>	Weldment comprised of 7GA. (.179")(4,54 mm) thick HRPO steel sheet and 1.029" (26,13 mm) O.D. RS20 (.070"- .080")(1,77 mm-2,03 mm) galvanized steel tubing. Finish: ProShield®, color specified.
<b>Slide Hood Side:</b>	Recycled Permalene®, color specified.
<b>Slide:</b>	Rotationally molded from U.V. stabilized linear low density polyethylene, color specified.
<b>Slide Footer:</b>	Weldment comprised of 2.375" (60,32 mm) O.D. RS20 (.095"- .105")(2,41 mm-2,66 mm) galvanized steel tubing and 1/4" (6,35 mm) steel plate. Finish: ProShield®, color specified.
<b>DB Leg:</b>	Weldment comprised of 1.660" (42,16 mm) O.D. RS40 (.108"- .132")(2,15 mm-2,41 mm) galvanized steel tubing, and 3/8" (9,52 mm) stainless steel weld slug. Finish: ProShield®, color specified.
<b>Fire Hydrant:</b>	Rotationally molded from U.V. stabilized linear low density polyethylene, color specified.
<b>Tunnel:</b>	Comprised of 12GA. (.105") thick HRPO low carbon steel. Finish: TenderTuff™, Gray in color.
<b>Wheel:</b>	12" (305 mm) diameter cast A356 aluminum alloy. Finish: TenderTuff™, color specified.
<b>Wheel Bracket:</b>	Weldment comprised of formed 3/16" (4,75 mm) plate and 5/8" (15,88 mm) O.D. stainless steel shaft. Finish: ProShield, Black in color.
<b>Bells:</b>	Fabricated from 10 GA. (.135") HRPO low carbon steel. Finish: ProShield®, color specified.

**DigiFuse Panel:** Made from 1/8" (3,17 mm) thick aluminum sheet. Dye sublimation printed digital artwork is fused onto the powder coated substrate.

**Fasteners:** Primary fasteners shall be socketed and pinned tam-perproof in design, stainless steel (SST) per ASTM F 879 unless otherwise indicated (see specific product installation/specifications).

**Installation Time:** DB Approx. 92 labor hours  
SM Approx. 72 labor hours

**Concrete:** DB Approx. 31.44 cu. ft.

**Fall Height:** 44" (1066 mm)

**Weight:** DB 1987 lbs.

SM 1876 lbs.

**Area Req:** 28' 9" x 29' 3" (8,76 m x 8,92 m)

## Installation Instructions

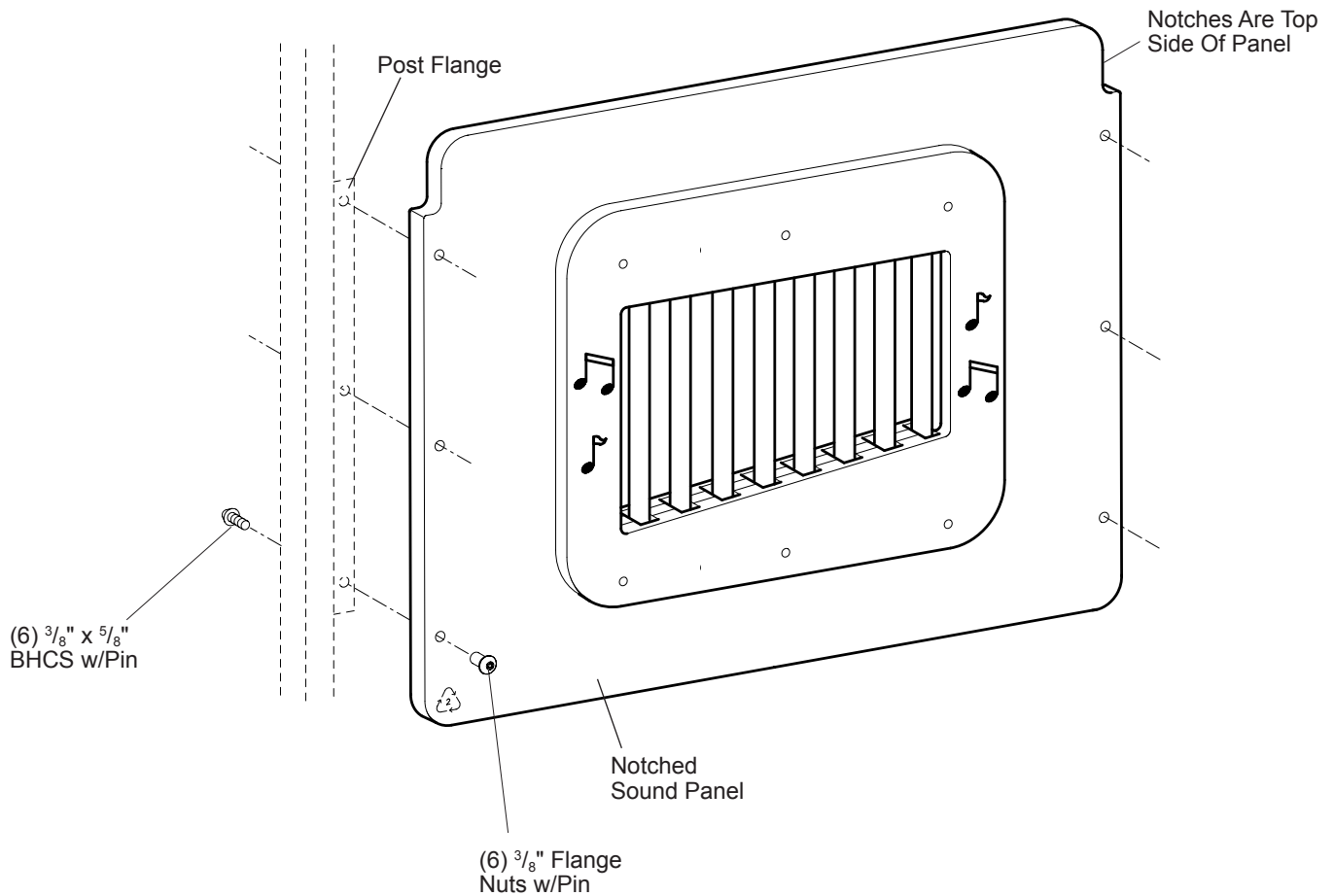
- 1) **(Direct Bury)** Dig footings spaced as shown.
- 2) Assemble structure following Steps & Details shown.
- 3) **(Direct Bury)** With structure square, plumb and level, pour concrete footings. Allow concrete to cure a minimum of 72 hours before users are allowed to play on the structure.

**Surface Mount** - Drill 3/8" x 3" deep holes through post and footer plates into concrete slab using 3/8" masonry bit and hammer drill. Tap 3/8" x 2 3/4" expansion anchors into drilled holes and fasten with 3/8" standard hex nuts and 3/8" SAE flat washers.

- 4) Attach warning labels to structure.
- 5) Install protective surfacing before users are allowed to play on the structure.



**PS = Playshaper**  
**LW = Learning Wall - Mounted 10 3/4"**  
**Above The Playing Surface.**



**NOTE:**  
**The Sound Chimes Panel is preassembled at factory.**



# PlayShaper® 113211/184873 Chimes Panel

## Parts List

Part#	Description	Qty.
181968	Chimes Panel Assy., Specify Color .....	1
<b>106480</b>	<b>Attachment Hardware</b> .....	1
100195	$\frac{3}{8}$ " x $\frac{5}{8}$ " BHCS w/Pin, SST .....	6
100353	$\frac{3}{8}$ " Flange Nut w/Pin, SST .....	6

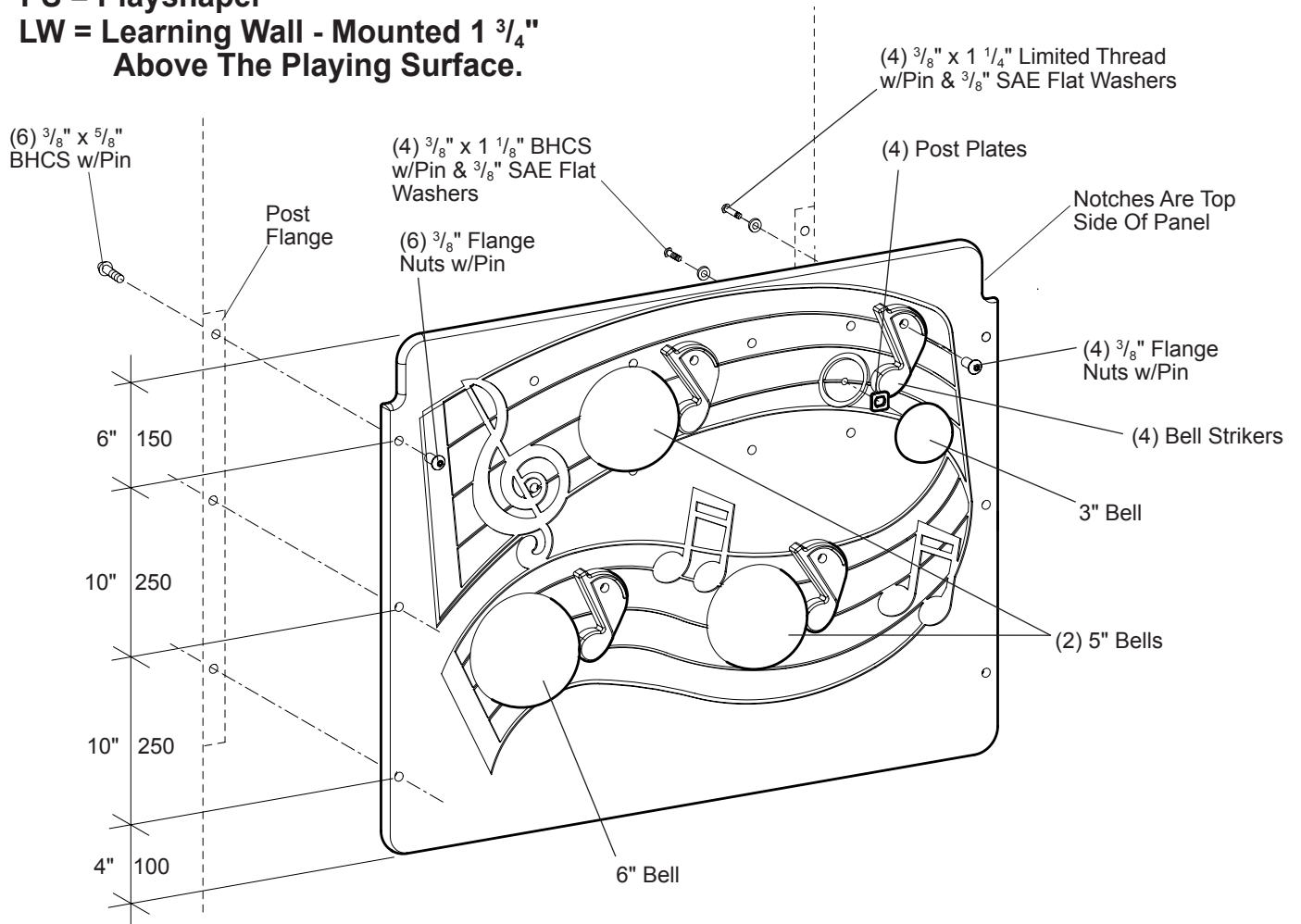
## Specifications

- Permalene® Panel:** Solid color panel measures 39  $\frac{1}{2}$ " wide x 30" high, color specified.
- Chimes:** Fabricated from 6063-T832 aluminum. Finish: Anodized per Mil - A - 8625 type 2, class 1.
- Fasteners:** Primary fasteners shall be socketed and pinned tamperproof in design, stainless steel (SST) per ASTM F 879 unless otherwise indicated (see specific product installation/specifications).
- Installation Time:** Approx.  $\frac{1}{4}$  man hour  
**Weight:** 45 lbs.

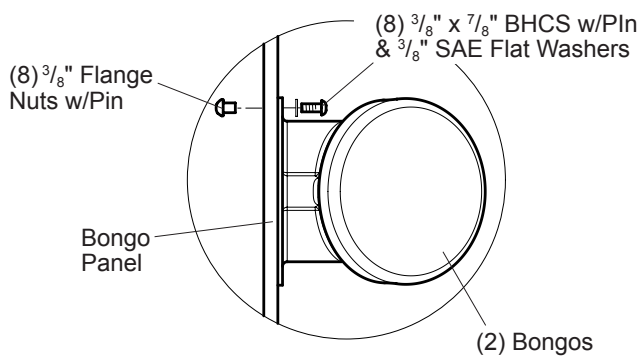
## Installation Instructions

- 1) Attach panel to posts flanges using  $\frac{3}{8}$ " x  $\frac{5}{8}$ " BHCS w/pin and  $\frac{3}{8}$ " flange nuts w/pin.
- 2) Install protective surfacing before users are allowed to play on the structure.

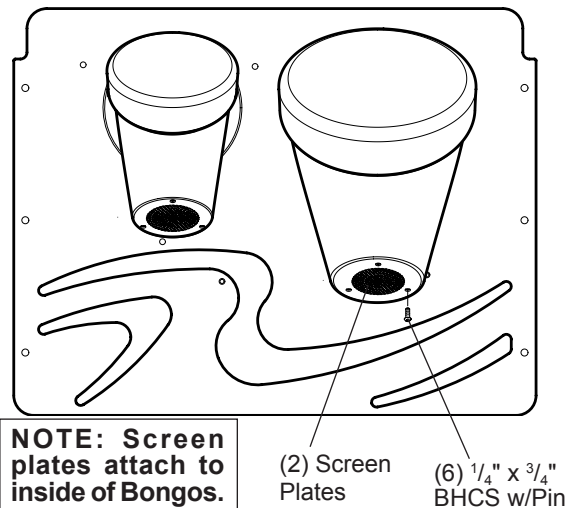
**PS = Playshaper**  
**LW = Learning Wall - Mounted 1 3/4" Above The Playing Surface.**



**DETAIL BONGO ATTACHMENT**



**Back Of Panel**





# PlayShaper® 164146/184890 Rock-n-Ring® Panel

## Parts List

Part#	Description	Qty.
158318	Bell Striker, Specify Color .....	4
158433	3" Bell, Specify Color .....	1
158434	5" Bell, Specify Color .....	2
158435	6" Bell, Specify Color .....	1
164133	Bongo/Bell Panel, Specify Color .....	1
163911	Small Bongo, Specify Color.....	1
163912	Large Bongo, Specify Color.....	1
164523	Screen Plate, Black.....	2
<b>106480</b>	<b>Attachment Hardware</b> .....	<b>1</b>
100195	3/8" x 5/8" BHCS w/Pin, SST .....	6
100353	3/8" Flange Nut w/Pin, SST.....	6
162374	1/4" x 3/4" BHCS w/Pin, SST .....	6
127463	T-27 Hex Bit.....	1
<b>164419</b>	<b>Bongo/Bell Panel Hardware Package</b> .....	<b>1</b>
100196	3/8" x 7/8" BHCS w/Pin, SST .....	8
100198	3/8" x 1 1/8" BHCS w/Pin, SST.....	4
100292	3/8" x 1 1/4" BHCS w/Pin Limited Thread, SST .....	4
100353	3/8" Flange Nut w/Pin, SST.....	12
100365	3/8" SAE Flat Washers, SST.....	16
158335	Post Plate, SST .....	4

## Specifications

**Permalene® Panel:** Two color panel measures 39 1/2" wide x 30" high, color specified.

**Bell Striker:** Two color Permalene, color specified.

**Bells:** Fabricated from 10 GA. (.135") HRPO low carbon steel. Finish: ProShield®, color specified.

**Bongo:** Rotationally molded from U.V. stabilized linear low density polyethylene, color specified.

**Screen Plate:** Fabricated from 12 GA. (.105") HRPO flat steel. Finish: ProShield, black in color.

**Fasteners:** Primary fasteners shall be socketed and pinned tamperproof in design, stainless steel (SST) per ASTM F 879 unless otherwise indicated (see specific product installation/specifications).

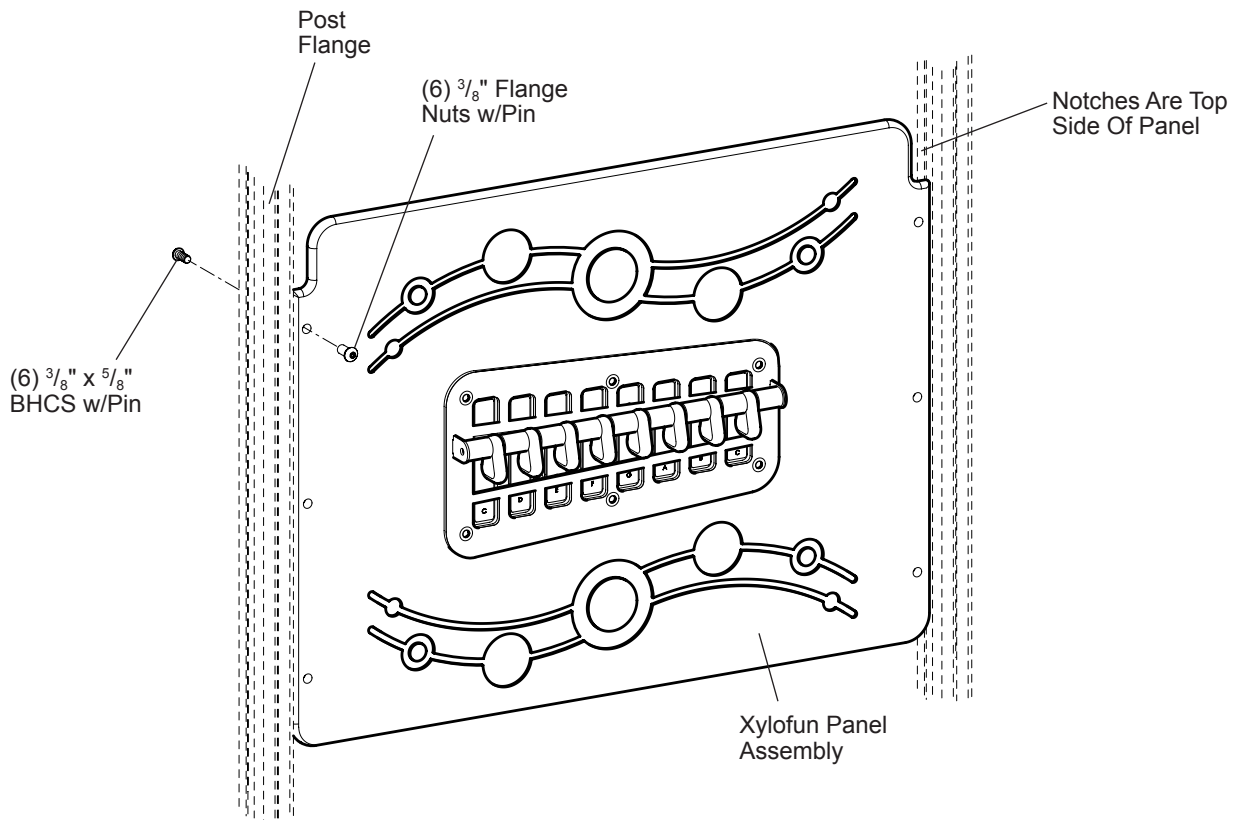
**Installation Time:** Approx. 1 man hour

**Weight:** 52 lbs.

## Installation Instructions

- 1) Attach screen plates to bongos, using 1/4" x 3/4" BHCS w/pin. **NOTE:** *Screen plates attach to inside of Bongos.*
- 2) Attach panel to post flanges in direction shown using 3/8" x 5/8" BHCS w/pin and 3/8" flange nuts w/pin.
- 3) Attach bell strikers to panel, using 3/8" x 1 1/4" limited thread BHCS w/pin with 3/8" SAE flat washers and 3/8" flange nuts w/pin, as shown.
- 4) Insert post plates into bell panel cutouts. Attach bells to bell panel, using 3/8" x 1 1/8" BHCS w/pin and 3/8" SAE flat washers, as shown.
- 5) Attach bongos to panel using 3/8" x 7/8" BHCS w/pin with 3/8" SAE flat washers and 3/8" flange nuts w/pin. Refer to the Bongo Attachment Detail.
- 6) If panel is structure mounted, install protective surfacing before users are allowed to play on the structure.

**PS = Playshaper**  
**LW = Learning Wall - Mounted 10 3/4" Above The Playing Surface.**



**NOTE:**  
 The Xylofun Panel is preassembled at the factory.



# PlayShaper® 173570/184895 Xylofun Panel®

## Parts List

Part#	Description	Qty.
172716	Xylofun Assembly, Specify Color.....	1
<b>106480</b>	<b>Panel Hardware Package</b> .....	1
100195	$\frac{3}{8}$ " x $\frac{5}{8}$ " BHCS w/Pin, SST .....	6
100353	$\frac{3}{8}$ " Flange Nut w/Pin, SST.....	6

## Specifications

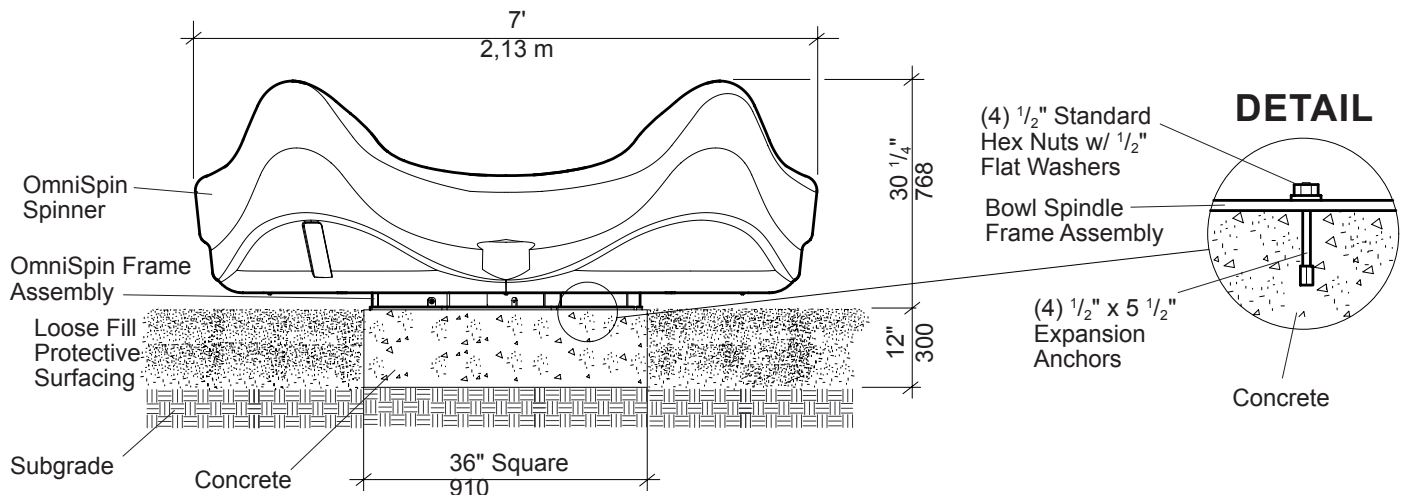
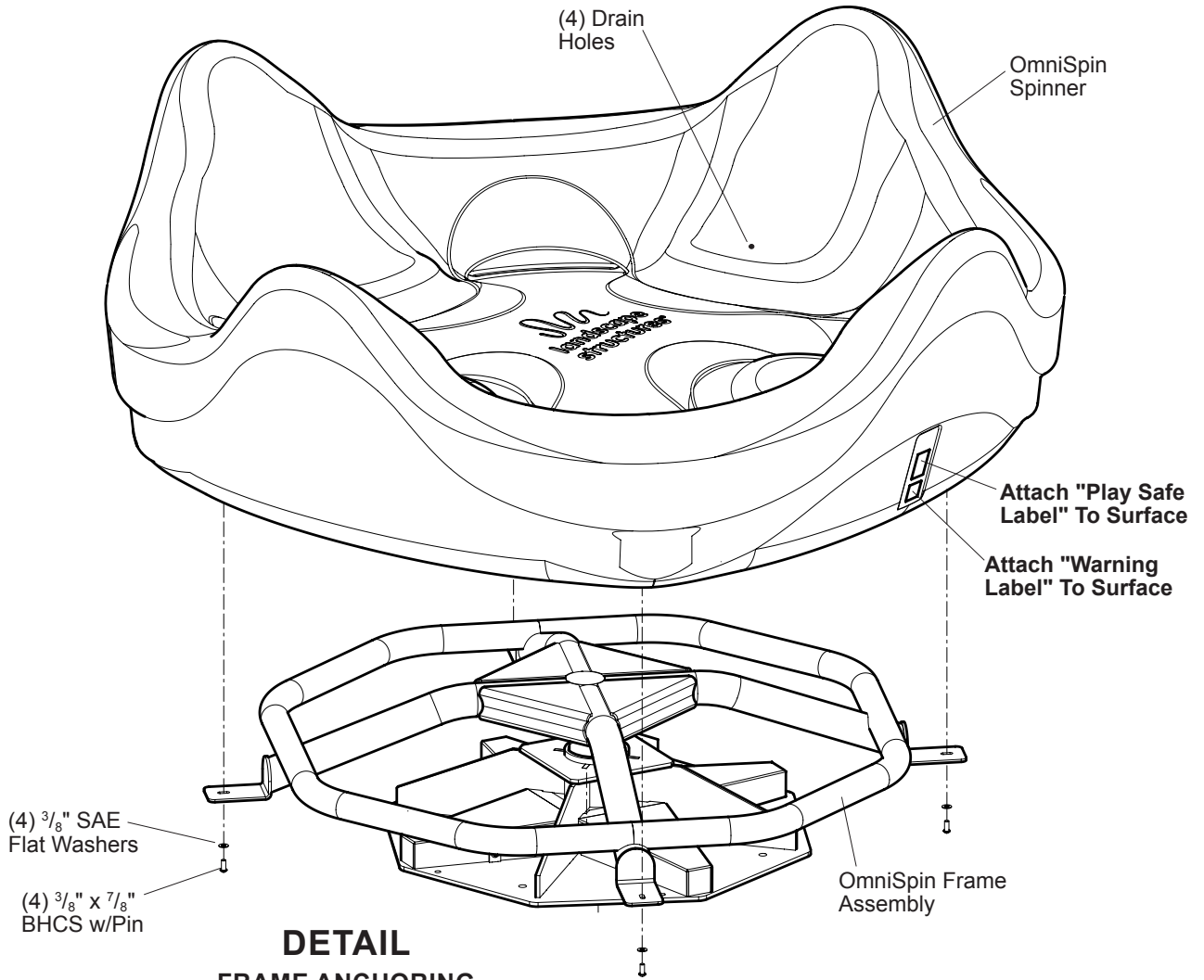
**Xylofun Panel Assy.:** (Panels) Recycled Permalene®, color specified.  $\frac{1}{8}$ " Thick steel, .125" O.D. aluminum tube and  $\frac{1}{2}$ " threaded steel rod. Finish: Proshield®, Black in color.

**Fasteners:** Primary fasteners shall be socketed and pinned tamperproof in design, stainless steel (SST) per ASTM F 879 unless otherwise indicated (see specific product installation/specifications).

**Installation Time:** Approx.  $\frac{1}{4}$  man hour  
**Weight:** 48 lbs.

## Installation Instructions

- 1) Attach panel to post flanges using  $\frac{3}{8}$ " x  $\frac{5}{8}$ " BHCS w/pin and  $\frac{3}{8}$ " flange nuts w/pin as shown.
- 2) Install protective surfacing before users are allowed to play on the structure.





# Kids in Motion 173591 OmniSpin® Spinner

## Parts List

Part#	Description	Qty.
171060	OmniSpin Spinner, Specify Color.....	1
171061	OmniSpin Spinner Frame Assy., Black.....	1
<b>183892</b>	<b>OmniSpin Spinner Hardware Package</b> .....	1
100196	3/8" x 7/8" BHCS w/Pin, SST.....	4
100365	3/8" SAE Flat Washer, SST.....	4
156846	Play Safe Label, 2-12 Years.....	1
183064	Warning Label .....	1
<b>175599</b>	<b>4 Hole (SM) Hardware Package</b> .....	1
100271	1/2" x 5 1/2" Expansion Anchor w/Nut/Washer.....	4

SM = Surface Mount

## Specifications

**OmniSpin Spinner:** Rotationally molded from U.V. stabilized linear low density polyethylene, color specified.

### OmniSpin Spinner

**Frame Assembly:** (Frame) Weldment comprised of 2.375" O.D. RS20 (.095"-.105" wall) galvanized steel tubing, 2.875" O.D. RS40 (.160"-.170" wall) galvanized steel tubing, 1/4" HR flat steel and 3 1/2" O.D. CF steel bar. (Base) Weldment comprised of 3/8" HRPO sheet steel and 3/16" HRPO sheet steel. (Shock Covers) 16 GA (.060") HRPO sheet steel. (Crank Arms & Pins) Fabricated from stainless steel. (Shocks) Gas shocks with fixed bearings. Finish: ProShield®, black in color.

**Fasteners:** Primary fasteners shall be socketed and pinned tamperproof in design, stainless steel (SST) per ASTM F 879 unless otherwise indicated (see specific product installation/specifications).

**Installation Time:** (Direct Bury) Concrete Footing - 2 People approx. 3 hours  
Assembly - 3 People 1 hour

**Concrete:** (Direct Bury) 9 cu. ft.

**Weight:** 499 lbs.

**Actual Size:** 7' x 7' (2,13 m x 2,13 m)

**Area Required:** 19' (5,79 m) Diameter ASTM

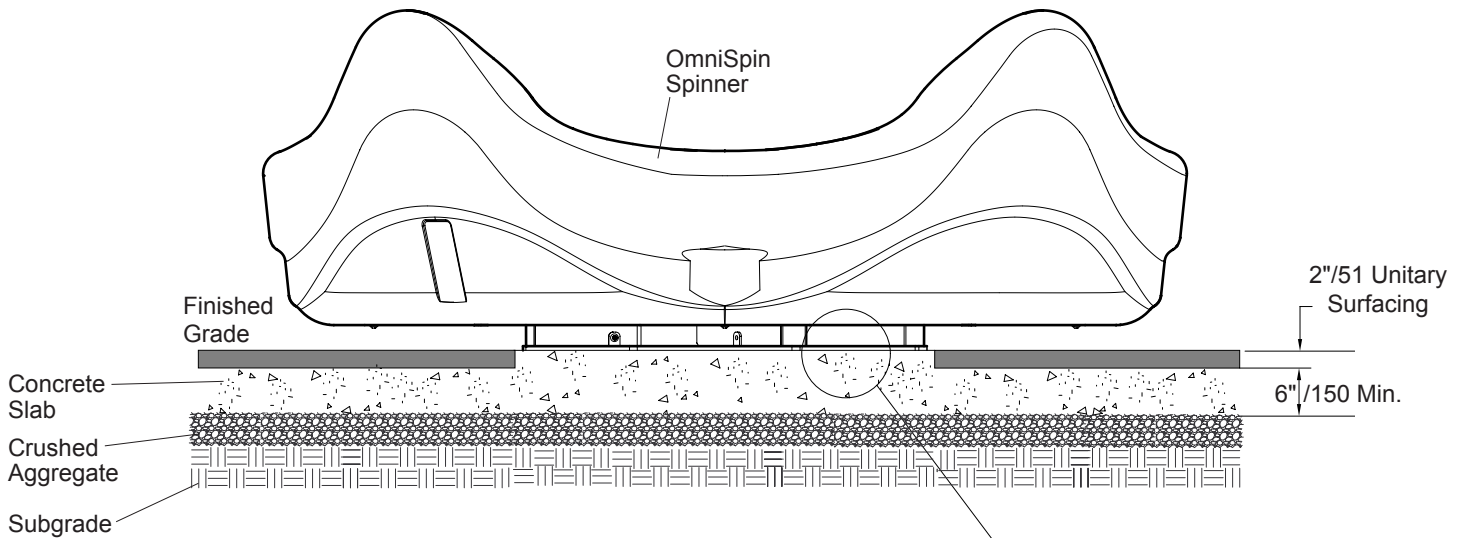
**Fall Height:** 18" (460 mm)

## Installation Instructions

- 1) **(Direct Bury)** Build and pour concrete footing. Refer to Frame Anchoring Details. Allow concrete footing to cure for a minimum of 72 hours before continuing.
- 2) With OmniSpin Spinner frame in position, drill through 4 outside holes in OmniSpin Spinner frame 5 1/2" deep into concrete slab, using 1/2" masonry bit and hammer drill. Refer to the Frame Anchoring Detail.
- 3) Tap 1/2" x 5 1/2" expansion anchors into drilled holes and secure using 1/2" standard hex nuts with 1/2" flat washers. Refer to the Frame Anchoring Details.
- 4) Attach OmniSpin Spinner to OmniSpin Spinner frame, using 3/8" x 7/8" BHCS w/pin and 3/8" SAE flat washers.
- 5) Apply labels as shown.
- 6) Install protective surfacing before users are allowed to play on the component.

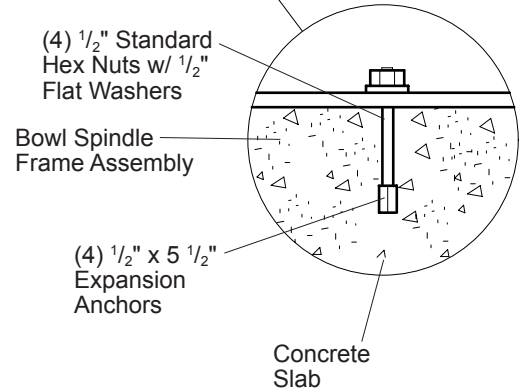


**Unitary Surfacing**

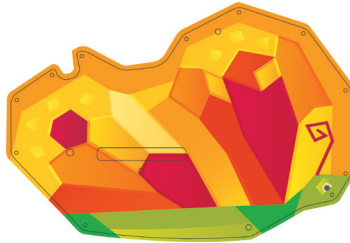


**NOTE: When using unitary surfacing on crushed aggregate, refer to Frame Anchoring Detail for loose fill protective surfacing.**

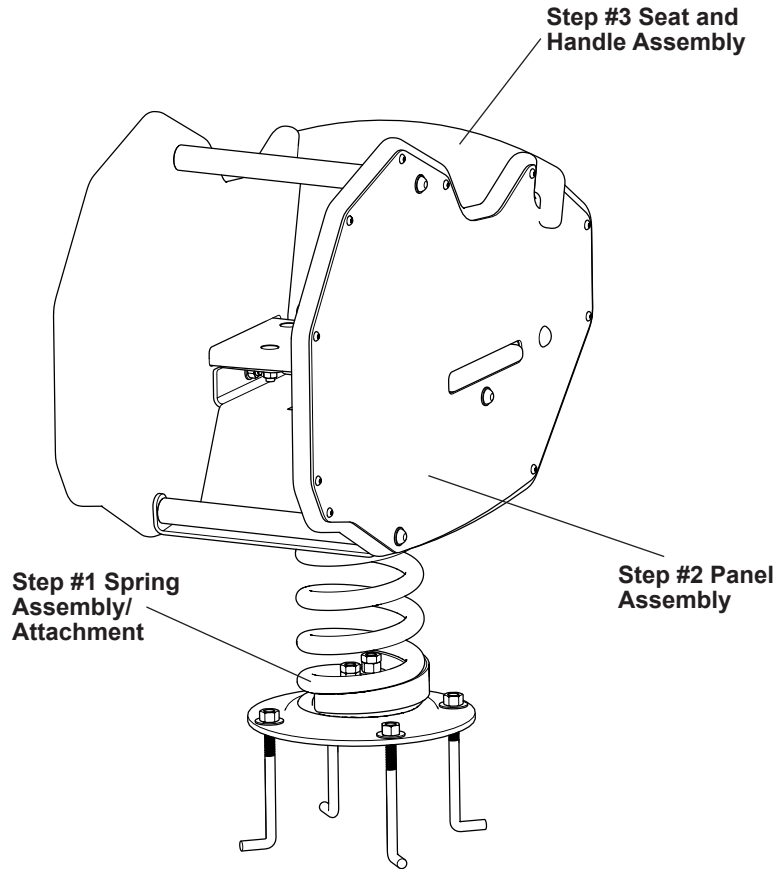
**DETAIL**



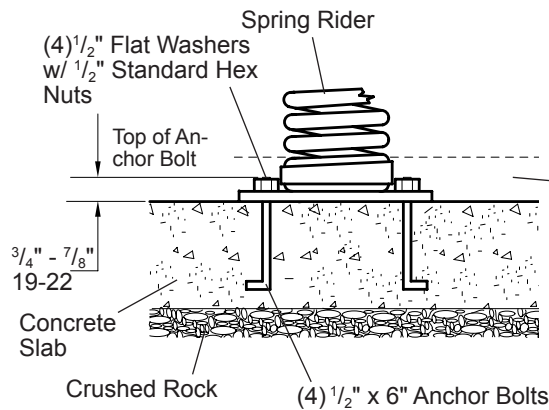




**DIGIRIDER BUTTERFLY**

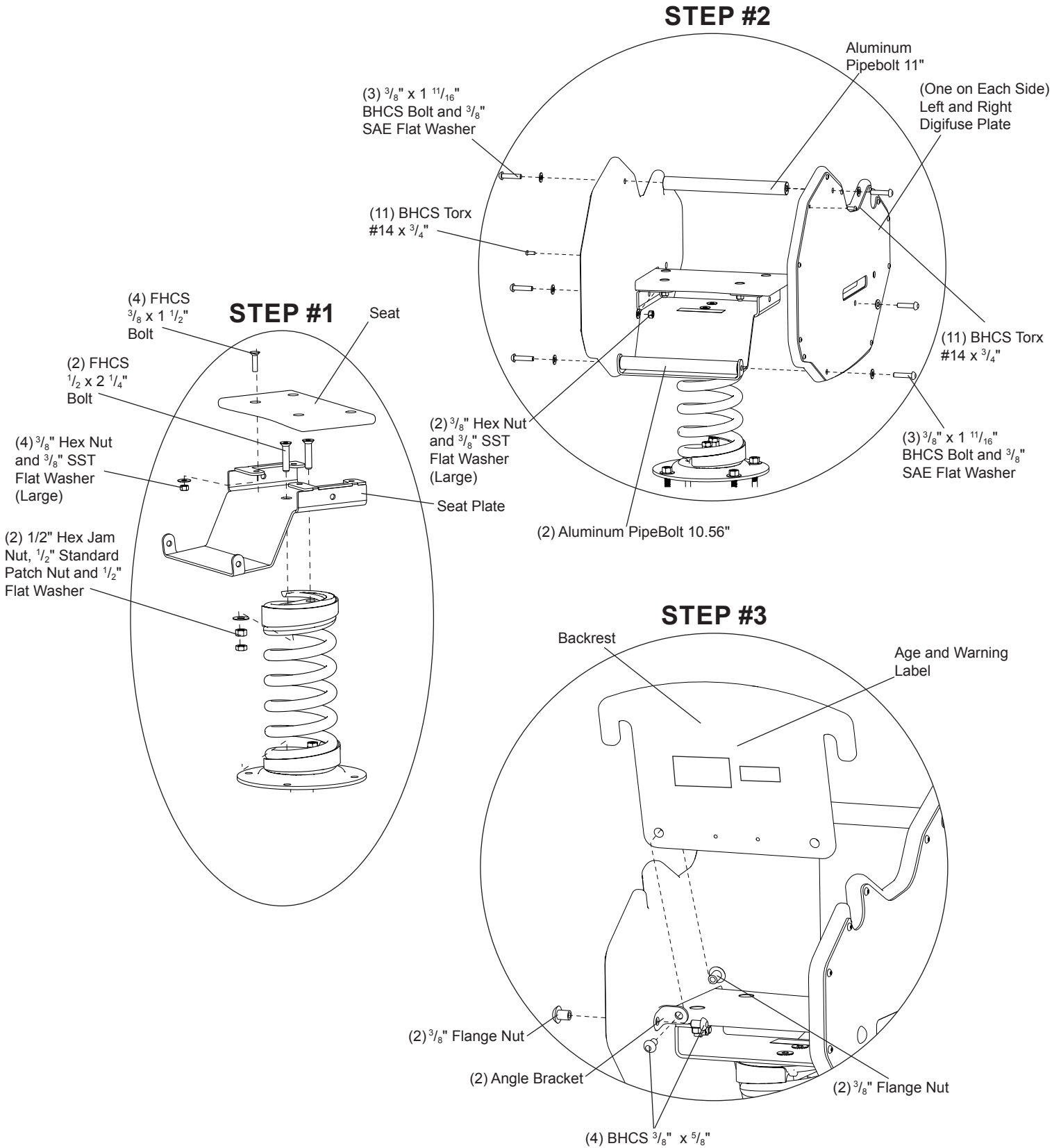


**SECTION  
SURFACE MOUNTING**



**NOTE: Sufficient protective surfacing must cover hardware to satisfy fall height requirements.**

**Kids In Motion 233057 DigiRiders™ Butterfly w/Coil Spring**



**Kids In Motion 233057 DigiRiders™ Butterfly w/Coil Spring**

# Kids In Motion 233057 DigiRiders™ Butterfly w/Coil Spring

*SM*  
**landscape  
 structures®**  
**Parts List**

Part#	Description	Qty.
132276	Spring Assembly, Black.....	1
115154	(Direct Bury) Leg Spring, Black.....	1
105207	Angle Bracket.....	2
107589	PBolt 10.56", Black.....	1
107592	PBolt 11" AL, Black.....	1
143781	Seat Sprt Tuffrider, Black.....	1
<b>237175</b>	<b>Boxed DigiRider Butterfly Plastic.....</b>	<b>1</b>
230283	Tuffriders Butterfly Main Perm Right, Black.....	1
230286	Tuffriders Butterfly DigiFuse Left.....	1
230289	Tuffriders Butterfly DigiFuse Right.....	1
235172	Tuffriders Butterfly Main Perm Left, Black.....	1
109506	Seat Backrest, Gray.....	1
109508	Seat, Gray.....	1
<b>236241</b>	<b>Hdw Pkg DigiFuse Butterfly.....</b>	<b>1</b>
100195	BHCS 6LP 3/8 x 5/8" SST.....	4
100363	Washer Flat 1/2" SST.....	2
100327	Nut Hex Std 3/8 - 16 SST.....	6
100362	Washer Flat 3/8", SST.....	4
100353	3/8" Flange Nut w/Pin, SST.....	4
100365	3/8" SAE Flat Washer, SST.....	8
127463	Bit Hex TPP T-27 (TORX).....	1
130824	FHCS 1/2 x 2 1/4", SST.....	2
200331	Label Play Safe 2-5 Years.....	1
129692	1/2" Standard Patch Nut, SST.....	2
129693	1/2" Hex Jam Nut, SST.....	2
216760	BHCS Torx #14 x 3/4" SST Thread Type A.....	22
183064	Warning Label.....	1
151421	FHCS 6LP 3/8" x 1 1/2", SST.....	4
123224	BHCS 6LP 3/8 x 1 11/16", SST.....	6
<b>120202</b>	<b>Spring Animal Anchor (SM) Hardware Package ...</b>	<b>1</b>
100262	1/2" x 6" Anchor Bolt.....	4
100322	1/2" Standard Hex Nut, SST.....	4
100363	1/2" Flat Washer, SST.....	4
<b>115326</b>	<b>Spring Rider (DB) Hardware Package .....</b>	<b>1</b>
100198	3/8" x 1 1/8" BHCS w/Pin, SST.....	4
100327	3/8" Standard Hex Nut, SST.....	4
100365	3/8" SAE Flat Washer, SST.....	8

DB= Direct Bury

SM= Surface Mount

## Specifications

<b>Spring:</b>	Weldment comprised of 5 5/8" (142,88 mm) diameter 13/16" (20,64 mm) tempered alloy steel coil. Finish: ProShield®, black in color.
<b>DigiFuse Panels:</b>	Made from 1/8" (3,17 mm) thick aluminum sheet. Dye sublimation printed digital artwork is fused onto the powdercoated substrate.
<b>Spring Wedge:</b>	Casting made from A-356T-6 aluminum. Finish: ProShield, color specified.
<b>Leg:</b>	Weldment comprised of 3 1/2" O.D. RS-20 (.120" - .130") galvanized steel tubing and 1/4" x 10" diameter HRPO zinc plated steel mounting plates. Finish: ProShield, Black in Color
<b>Permalene Panels:</b>	Permalene Main Panel, Black in Color, Seat Panel Backrest Panel, Gray in Color.

Specifications are subject to change without notice.

**Brackets:** Fabricated from 7Ga (.179") HRS. Finish: ProShield, Black in Color.

**Base Plate:** Fabricated from 1/4" x 10" HRPO formed plate. Finish: ProShield, Black in Color,

**PipeBolts:** Extruded from 1.125" O.D. x .406 W. 6005-T5 aluminum. Finish: ProShield, Black in Color

**Fasteners:** Primary fasteners shall be socketed and pinned Tamperproof in design, stainless steel (SST) per ASTM F 879 unless otherwise indicated (see specific product installation/specifications).

**Installation Time:** Approx. 2 1/2 man hours

**Concrete Req:** Approx. 10 cu. ft. DB= 3 Cubic FT.

**Area Req.:** 13'-0" x 15'-0" (3,96 m x 4,57 m) minimum use zone

**Weight:** 110 lbs. Direct Bury  
94 lbs. Surface Mount

**Seat Height:** 14" (355mm)

**Fall Height:** 15" (380mm)

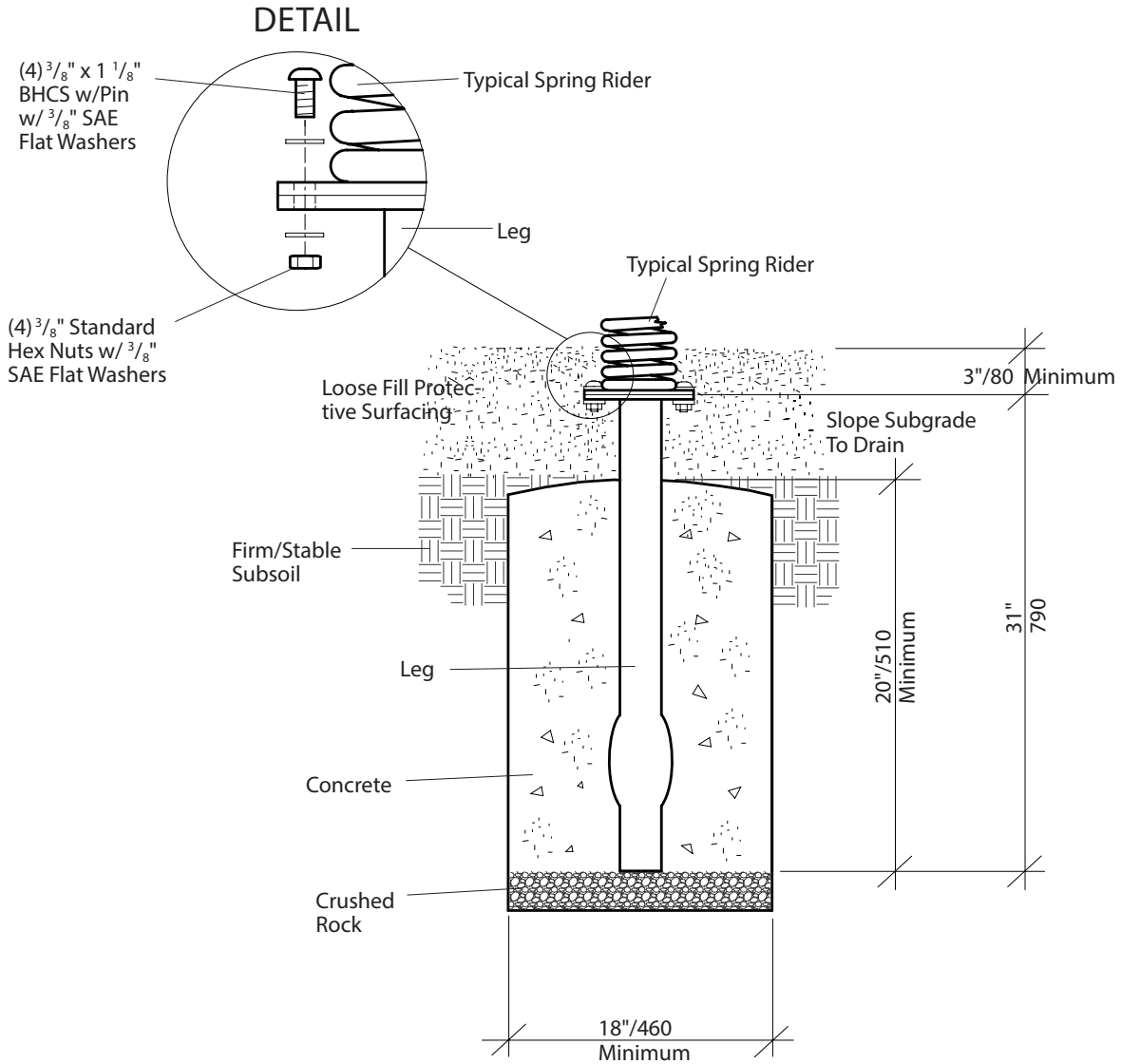
## Installation Instructions

### Surface Mounting On Concrete Slab

- Using the spring base plate as a pattern, make a plywood template for anchor bolt placement.
- Attach 1/2" x 6" anchor bolts with 1/2" flat washers and 1/2" standard hex nuts to holes in template. Allow 3/4" to 7/8" of thread to protrude from concrete.
- Pour concrete slab and lay template on surface in level position. Push anchor bolts into concrete, allowing 72 hours before template removal.
- Attach spring assembly to anchor bolts in concrete with 1/2" standard hex nuts and 1/2" flat washers. Assembly spring to attachments. **Refer to Step 1.**
- Attach DigiFuse to Permalene Panels, then attach spring and foot pedals. **Refer to Step 2.**
- Attach backrest to assembly. **Refer to Step 3.**
- Final tighten all fasteners.
- Apply labels as shown.
- Install protective surfacing before users are allowed to play on the component. A minimum of 2" of protective surfacing should cover base plate and anchor bolts.

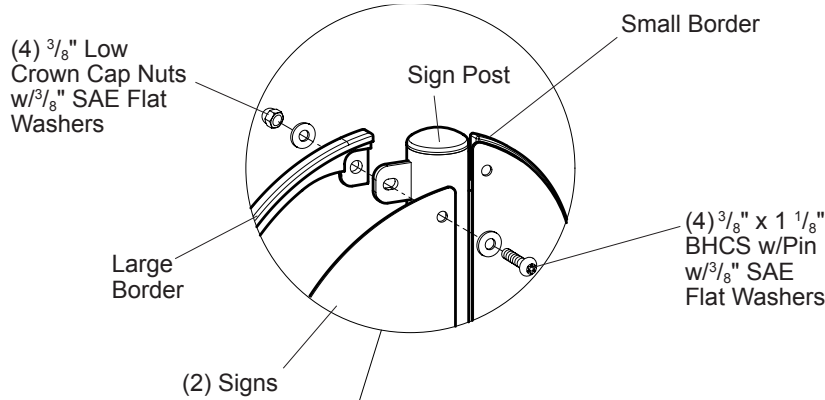
### Direct Bury Mounting

- Dig footing hole as shown.
- Attach leg to spring assembly of spring rider using 3/8" x 1 1/8" BHCS w/pin with 3/8" SAE flat washers and 3/8" standard hex nuts with 3/8" SAE flat washers.
- With leg plumb and spring rider propped up, pour concrete footing and let cure for a minimum of 72 hours before using.
- Install protective surfacing before users are allowed to play on the component.

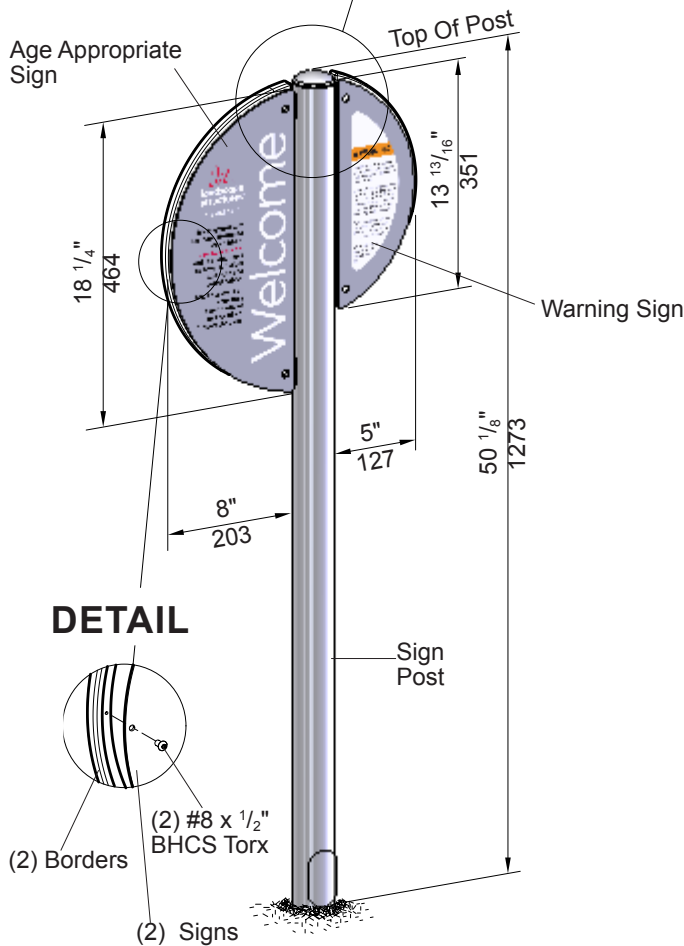
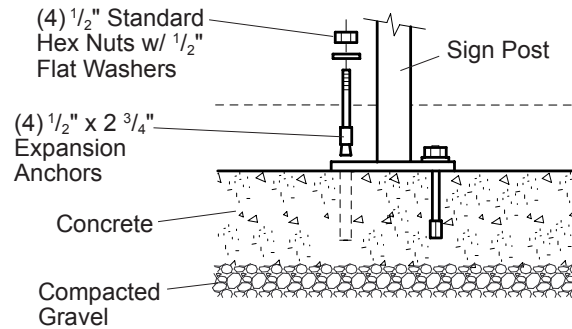


# Kids In Motion 233057 DigiRiders™ Butterfly w/Coil Spring

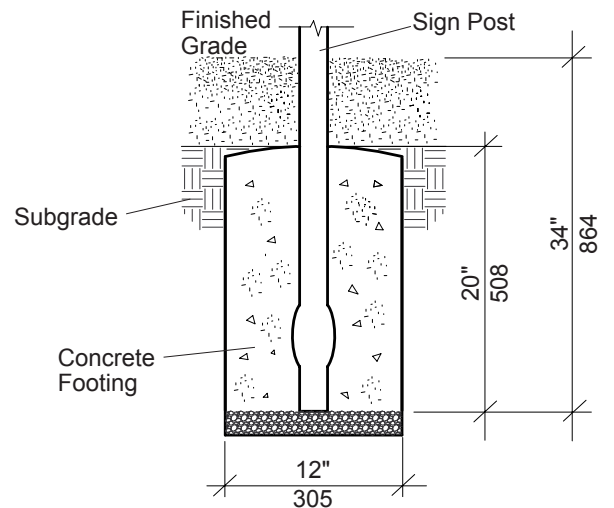
**DETAIL  
SIGN ATTACHMENT**



**DETAIL  
SURFACE MOUNT**



**DETAIL  
DIRECT BURY FOOTING**



Model 182503 - Landscape Structures Provided Welcome Sign  
Model 182504 - Welcome Sign

**Signs**

**Welcome Sign**

## Parts List

Part#	Description	Qty.
219911	Warning Sign, Gray	1
219912	Age Appropriate Sign, 2-12 Years, Gray	*
219913	Age Appropriate Sign, 2-5 Years, Gray	*
219914	Age Appropriate Sign, 5-12 Years, Gray	*
219915	Age Appropriate Sign, 1 1/2-5 Years, Gray	*
219916	Age Appropriate Sign, 1 1/2-12 Years, Gray	*
219918	Age Appropriate Sign, 6-23 Months, Gray	*
180598	Sign Post (DB), Specify Color	*
181119	Sign Post (SM), Specify Color	*
193782	Large Border, Black	1
193783	Small Border, Black	1
<b>213258</b>	<b>Age/Warning Sign Hardware Package</b>	1
100198	3/8" x 1 1/8" BHCS w/Pin, SST	4
100349	3/8" Low Crown Cap Nut, SST	4
100365	3/8" SAE Flat Washer, SST	8
168323	#8 x 1/2" BHCS Torx, SST	2
169413	1/4-6 Lobe T-15 Tamp. Bit	1
<b>121348</b>	<b>4 Hole (SM) Hardware Package</b>	1
100266	1/2" x 2 3/4" Expansion Anchor	4
100322	1/2" Standard Hex Nut, SST	4
100363	1/2" Flat Washer, SST	4

DB = Direct Bury

SM = Surface Mount

\* = Quantity Determined By Your Order

## Specifications

**Sign Panel:** Panel is fabricated from 1/8" (.125")(3,17 mm) aluminum plate. Finish: ProShield®, gray in color. **(Sign)** Digital image is transferred to a 1/8" (.125")(3,17 mm) ProShield coated aluminum plate, then infused into the ProShield.

**Border:** Permalene, black in color.

**Post:** Weldment comprised 2.375" (60,33 mm) O.D. RS20 (.095-.105) (2,41 mm-2,67 mm) wall galvanized tube, 1/4" (6,35 mm) HRPO steel sheet and aluminum post cap. Finish: ProShield, color specified.

**Fasteners:** Primary fasteners shall be socketed and pinned tamperproof in design, stainless steel (SST) per ASTM F 879 unless otherwise indicated (see specific product installation/specifications).

**Installation Time:** **(DB)** Approx. 1 man hour  
**(SM)** Approx. 1/2 man hour

**Concrete Req:** Approx. 1.31 cu. ft.

**Weight:** **(DB)** - 24 lbs.  
**(SM)** - 27 lbs.

## Installation Instructions

### Direct Bury

- 1) Dig footing hole to depth and diameter shown.
- 2) Attach sign panels and borders to post as shown, using 3/8" x 1 1/8" BHCS with 3/8" SAE flat washers and 3/8" low crown cap nuts with 3/8" SAE flat washers. Attach signs to borders using #8 x 1/2" BHCS Torx.
- 3) Set sign assembly in footing hole and temporarily brace in plumb position.
- 4) Pour concrete footing. After concrete has cured, remove bracing.

### Surface Mount

- 1) Attach sign panels and borders to post as shown, using 3/8" x 1 1/8" BHCS with 3/8" SAE flat washers and 3/8" low crown cap nuts with 3/8" SAE flat washers. Attach signs to borders using #8 x 1/2" BHCS Torx.
- 2) With sign in proper position, using a 1/2" masonry bit and hammer drill, drill 3" deep holes into concrete slab through holes in post plate. Tap 1/2" x 2 3/4" expansion anchors into holes and secure using 1/2" standard hex nuts with 1/2" flat washers.