

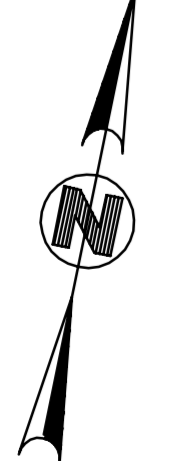
**THE HOMES AT DEER HILL - LAFAYETTE
DOG PARK
6/11/14**

ABBREVIATIONS

- BW BOTTOM OF WALL
- EX EXISTING
- FG FINISHED GRADE
- FS FINISHED SURFACE
- HP HIGH POINT
- SW SIDEWALK
- TP TOP OF PAVEMENT
- TW TOP OF WALL

LEGEND

- EXISTING WETLANDS
- EXISTING SWALE
- EXISTING TREES TO BE REMOVED
- FLOWLINE
- PROPOSED BIORETENTION AREA

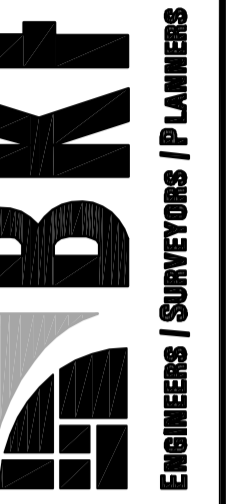


GRAPHIC SCALE



(IN FEET)
1 inch = 30 ft.

1646 NORTH CALIFORNIA BLVD
SUITE 400
WALNUT CREEK, CA 94596
925-940-2200
925-940-2299 (FAX)



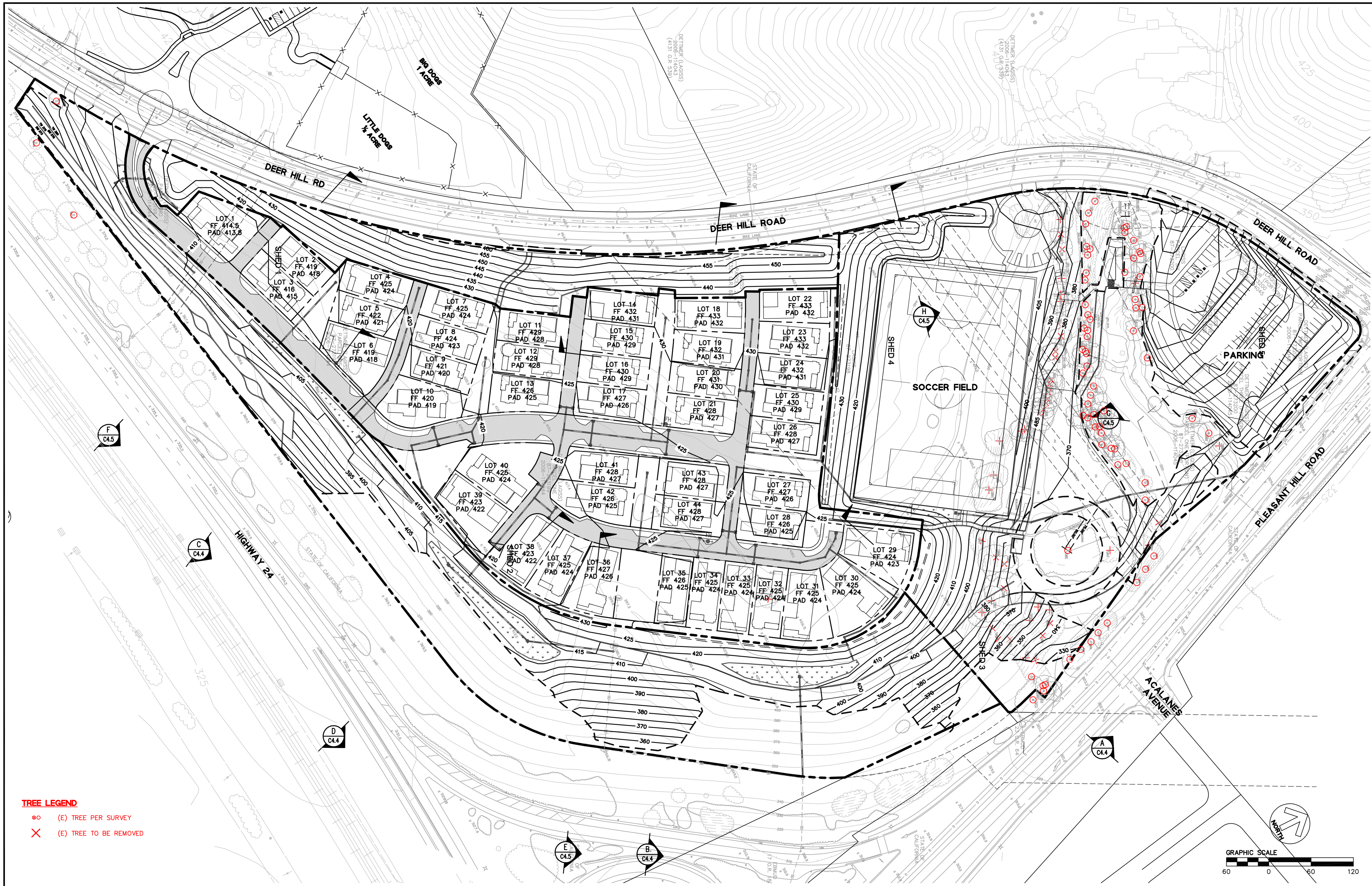
CALIFORNIA

THE HOMES AT DEER HILL
TRACT #9369 VESTING TENTATIVE MAP
OVERALL GRADING PLAN

CITY OF LAFAYETTE
CONTRA COSTA COUNTY

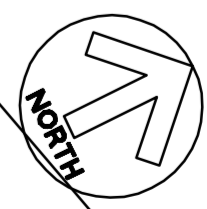
Revisions	No.	Date	By
		06/11/14	AS SHOWN
			Design: KW
			Drawn: WC
			Approved: CA
			Job No: 20115003

Drawing Number:
C4.0
7 OF **14**



TREE LEGEND

- (E) TREE PER SURVEY
- × (E) TREE TO BE REMOVED



1646 NORTH CALIFORNIA BLVD
SUITE 400
WALNUT CREEK, CA 94596
925-940-2200
925-940-2299 (FAX)



CALIFORNIA

THE HOMES AT DEER HILL
TRACT #9369 VESTING TENTATIVE MAP
GRADING PLAN

CONTRA COSTA COUNTY

CITY OF LAFAYETTE

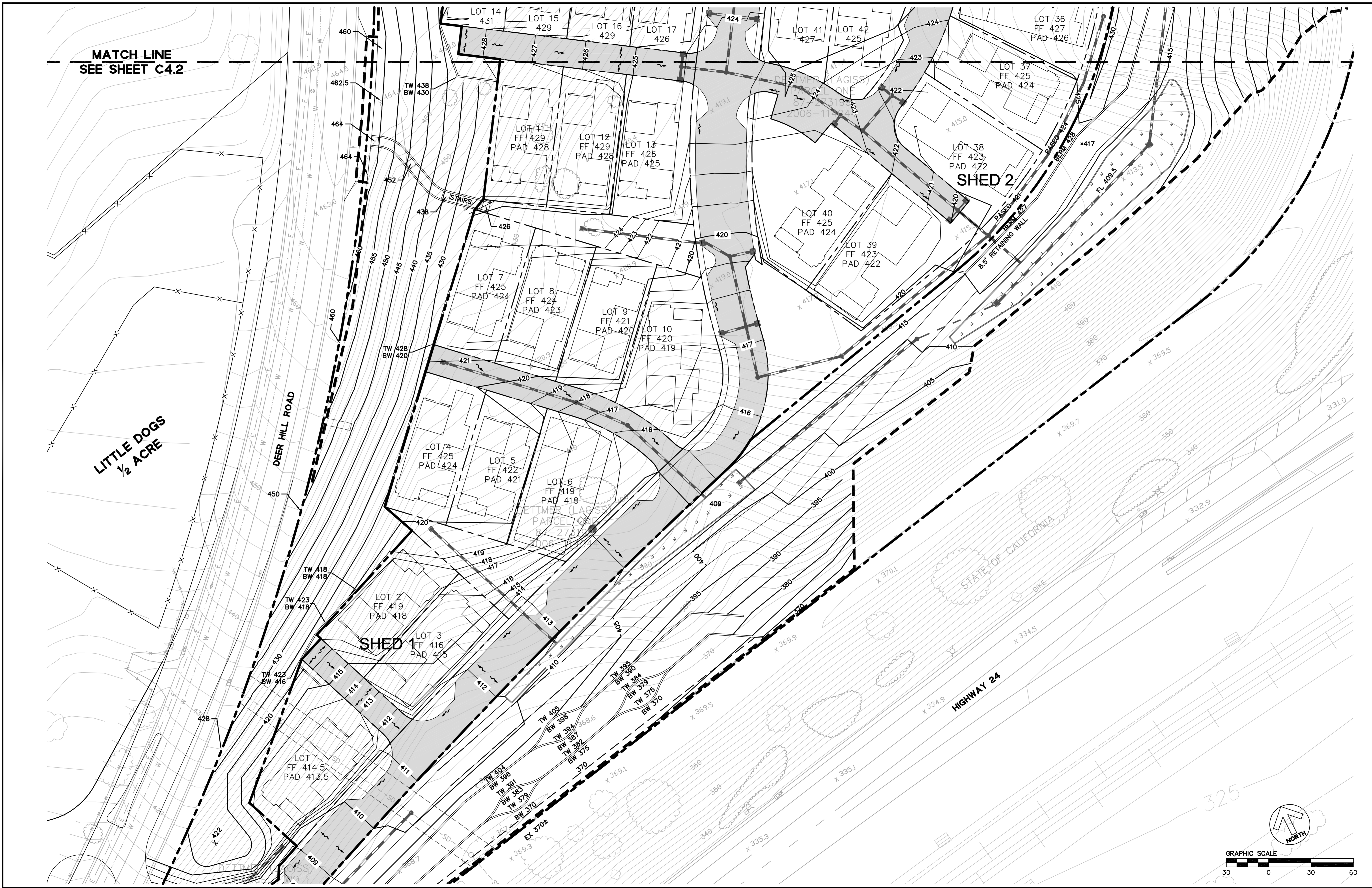
Revisions

No.

Date: 06/11/14
Scale: AS SHOWN
Design: KW
Drawn: WC
Approved: CM
Job No: 20115003

Drawing Number:

C4.1
8 OF **14**



MATCH LINE
SEE SHEET C4.2

LITTLE DOGS
1/2 ACRE

DEER HILL ROAD

HIGHWAY 24

STATE OF CALIFORNIA



1646 NORTH CALIFORNIA BLVD
SUITE 400
WALNUT CREEK, CA 94596
925-940-2200
925-940-2299 (FAX)



CALIFORNIA

THE HOMES AT DEER HILL
TRACT #9369 VESTING TENTATIVE MAP
GRADING PLAN

CONTRA COSTA COUNTY

CITY OF LAFAYETTE

Revisions

No.

Date: 06/11/14
Scale: AS SHOWN
Design: KW
Drawn: WC
Approved: CM
Job No: 20115003

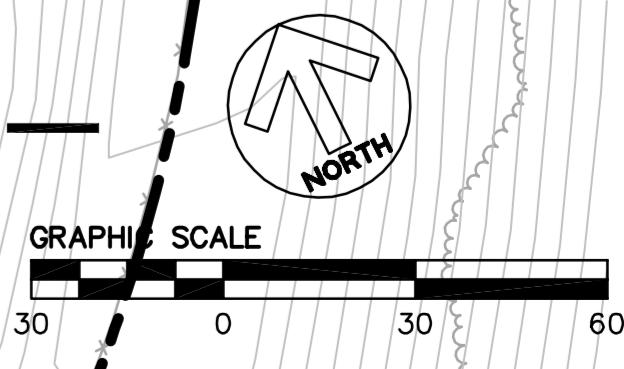
Drawing Number:

C4.2
9 OF 14



MATCH LINE
SEE SHEET C4.3

MATCH LINE
SEE SHEET C4.1





THE HOMES AT DEER HILL
TRACT #9369 VESTING TENTATIVE MAP
GRADING PLAN

Revisions

No.

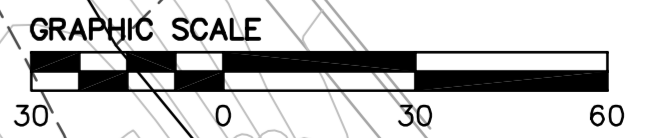
Date: 06/11/14
Scale: AS SHOWN
Design: KW
Drawn: WC
Approved: CM
Job No: 20115003

Drawing Number:

C4.3
10 OF 14



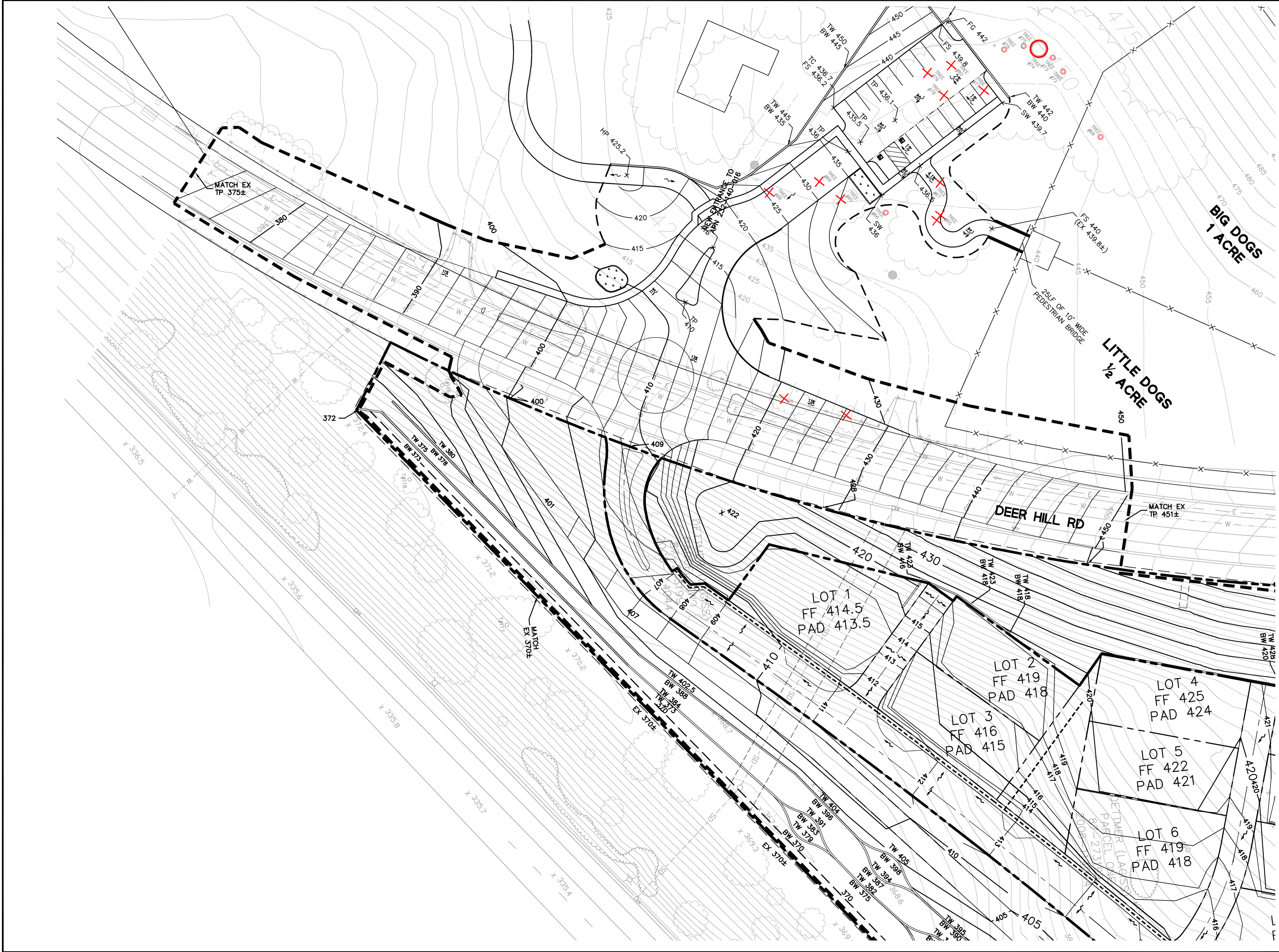
MATCH LINE
SEE SHEET C4.2

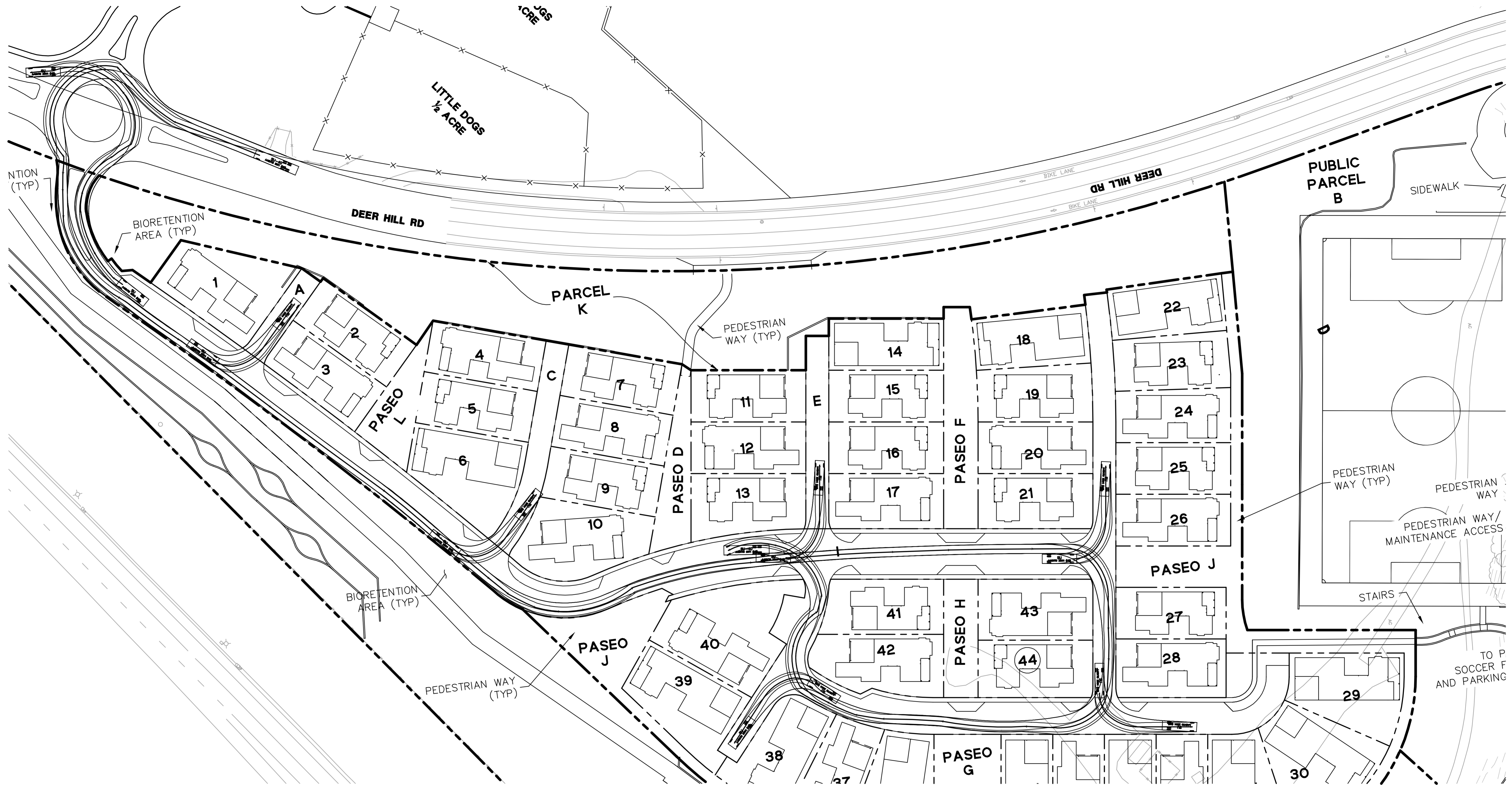


**THE HOMES AT DEER HILL
TRACT #9369 VESTING TENTATIVE MAP
DEER HILL ROAD IMPROVEMENTS**

Revisions	No.	Date	By	Checked

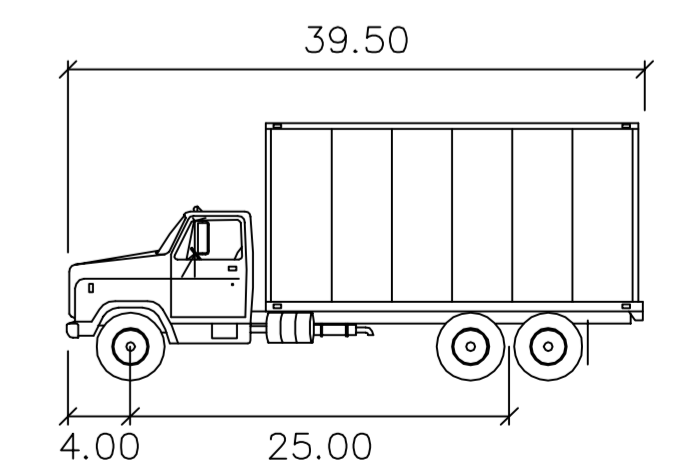
Date: 06/11/14
Scale: AS SHOWN
Design: KW
Drawn: WC
Approved: CA
Job No: 20115003
Drawing Number:





DEER HILL ROAD IMPROVEMENTS

SU-40 TRUCK TURNS
LAFAYETTE, CA
6/11/14



SU-40	feet
Width	: 8.00
Track	: 8.00
Lock to Lock Time	: 6.0
Steering Angle	: 31.8

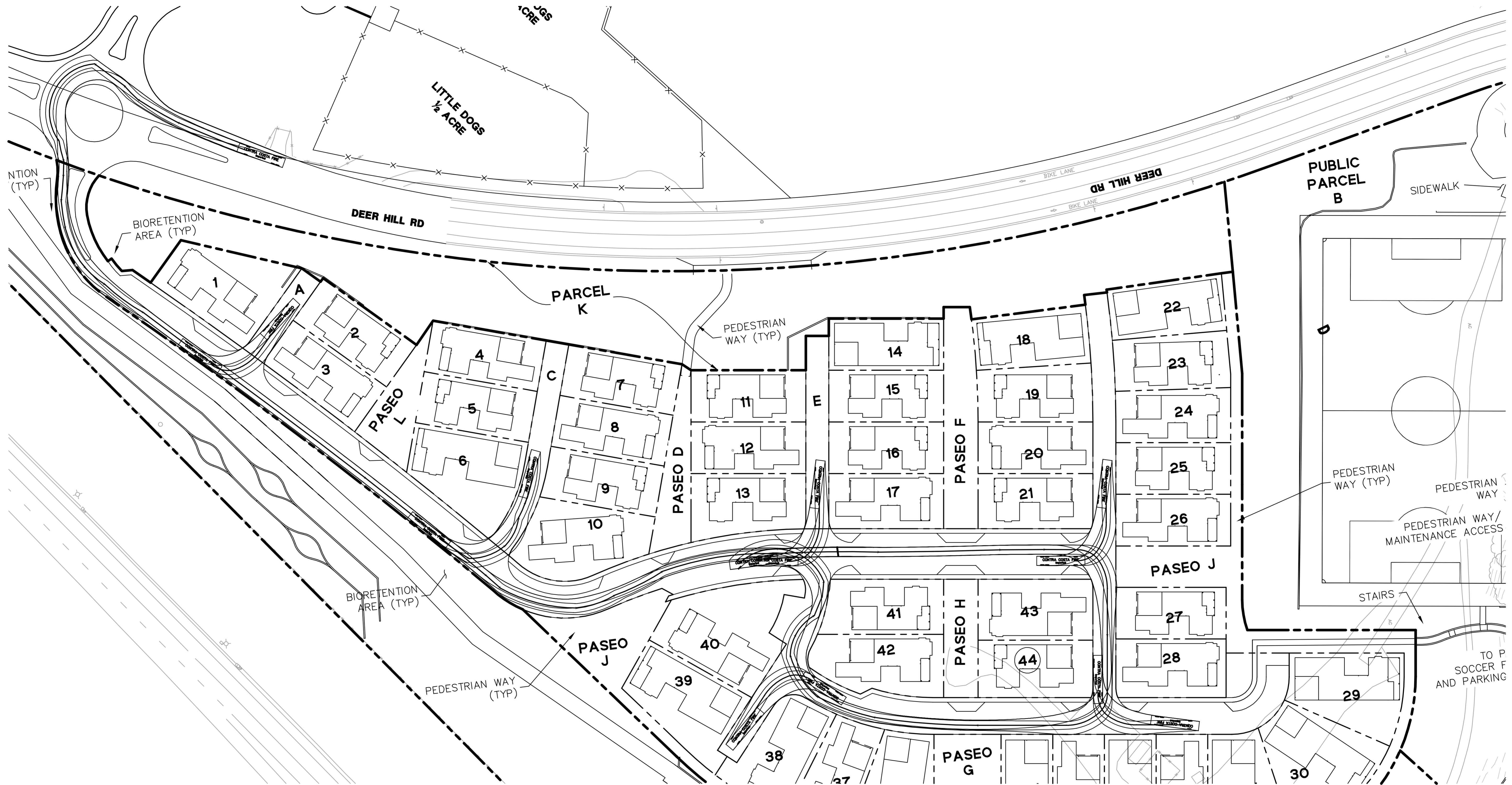
SU



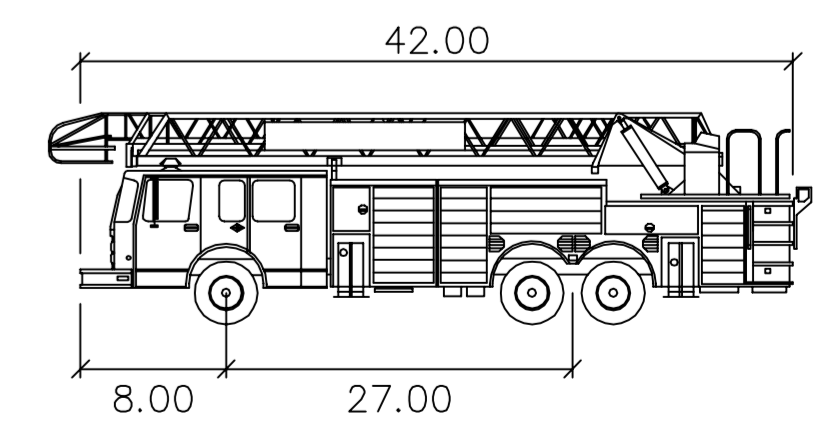
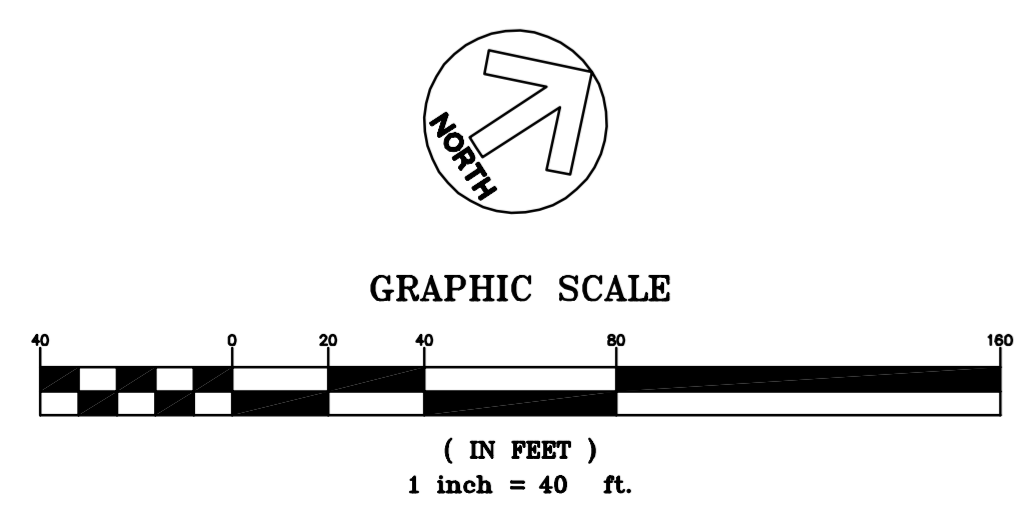
GRAPHIC SCALE



(IN FEET)
1 inch = 40 ft.



DEER HILL ROAD IMPROVEMENTS
SU-40 TRUCK TURNS
LAFAYETTE, CA
6/11/14



CONTRA COSTA FIRE	
	feet
Width	: 8.00
Track	: 8.00
Lock to Lock Time	: 6.0
Steering Angle	: 40.0

CCC FIRE