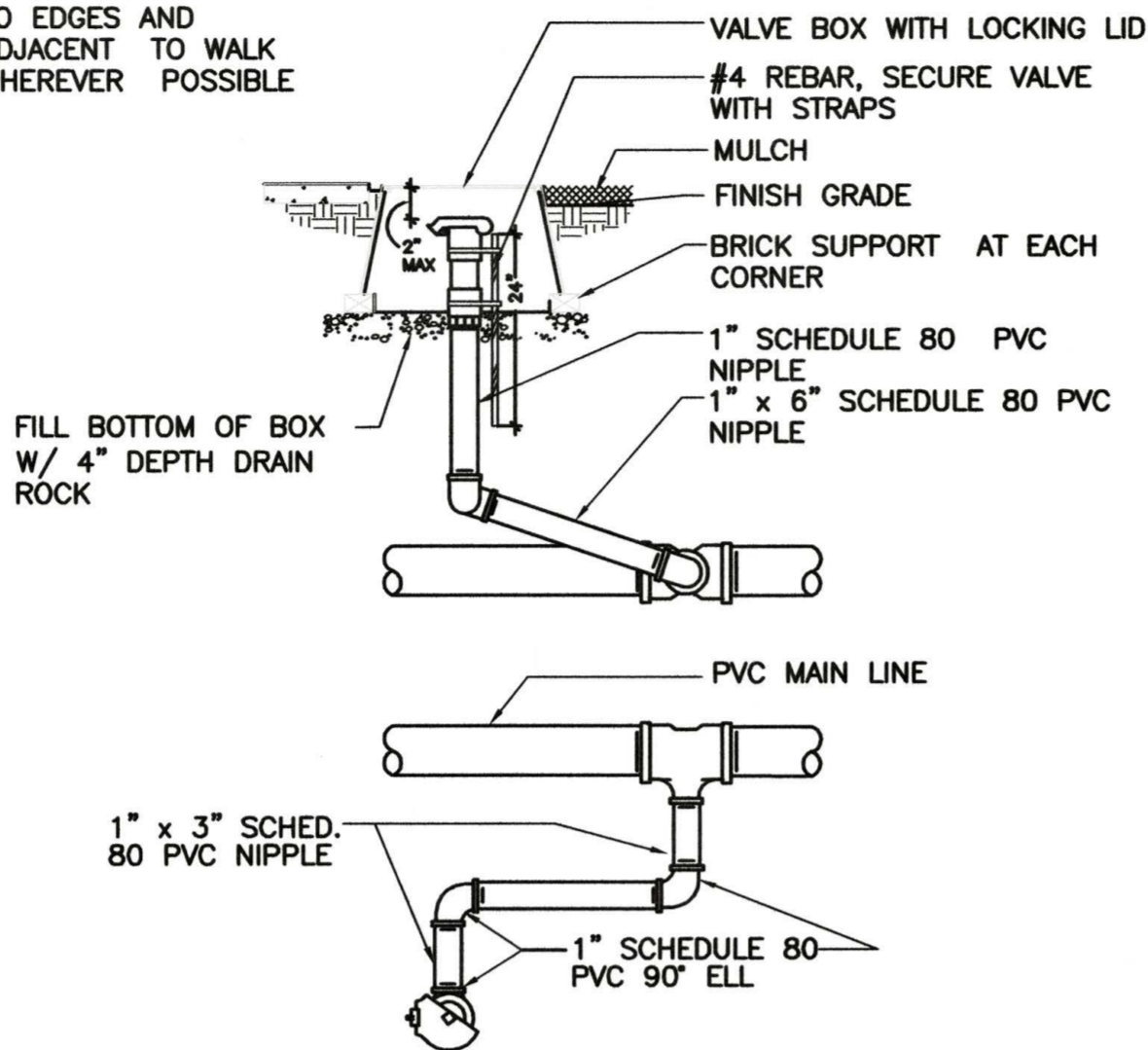


**INSTRUCTIONS:**

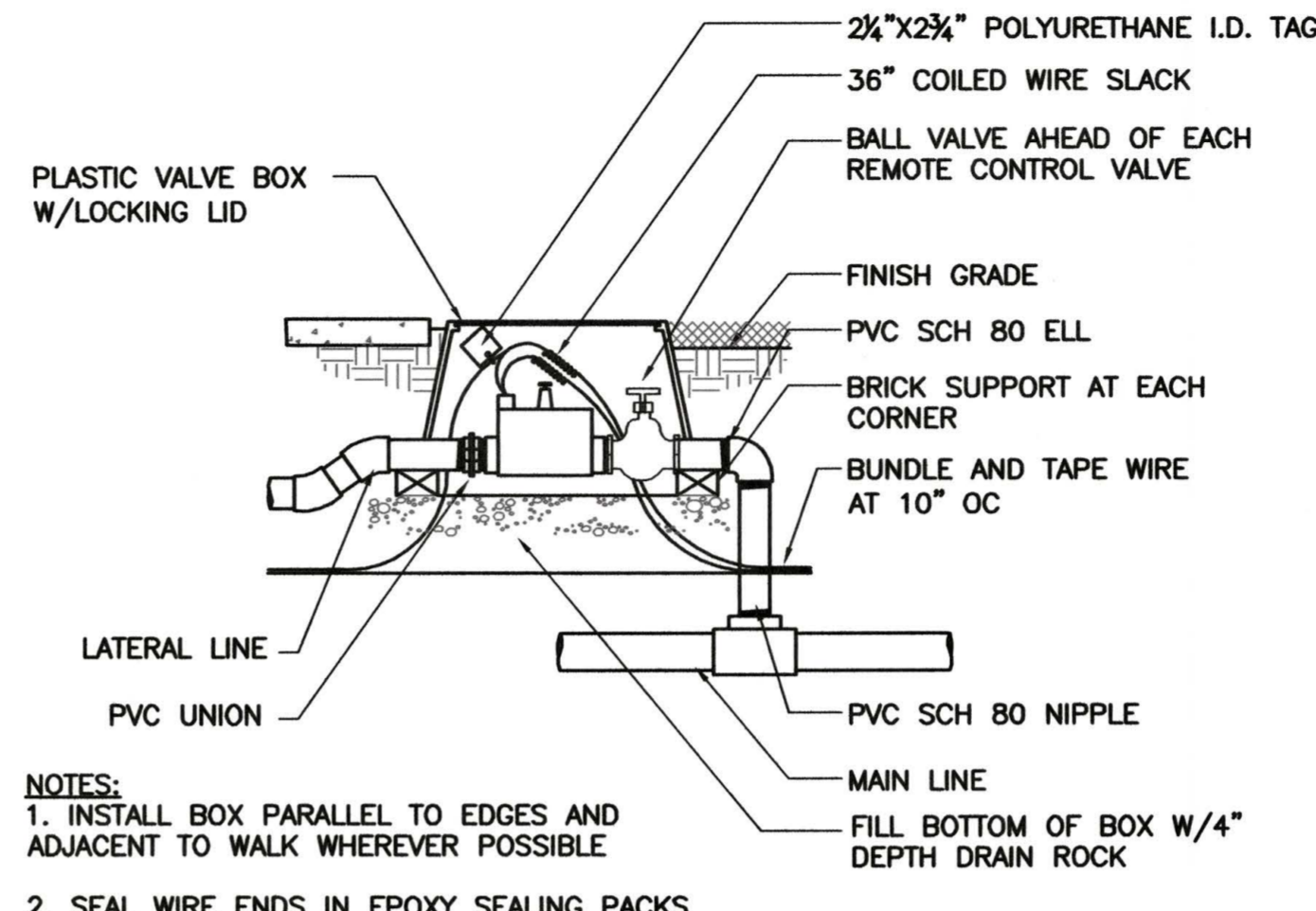
1. STRIP WIRES APPROXIMATELY .012 (1/2") TO EXPOSE WIRE.
2. TWIST CONNECTOR AROUND WIRES CLOCKWISE UNTIL HAND TIGHT, DO NOT OVERTIGHTEN.
3. INSERT WIRE ASSEMBLY INTO PLASTIC TUBE UNTIL CONNECTOR SNAPS PAST LIP IN BOTTOM OF TUBE.
4. PLACE WIRES WHICH EXIT TUBE IN WIRE EXIT HOLES AND CLOSE CAP UNTIL IT SNAPS.
5. INSPECT FINAL SPLICE ASSEMBLY TO BE SECURED AND FINISHED.

**G WEATHERPROOF SPLICE ASSEMBLY**  
NOT TO SCALE

INSTALL BOX PARALLEL TO EDGES AND ADJACENT TO WALK WHEREVER POSSIBLE



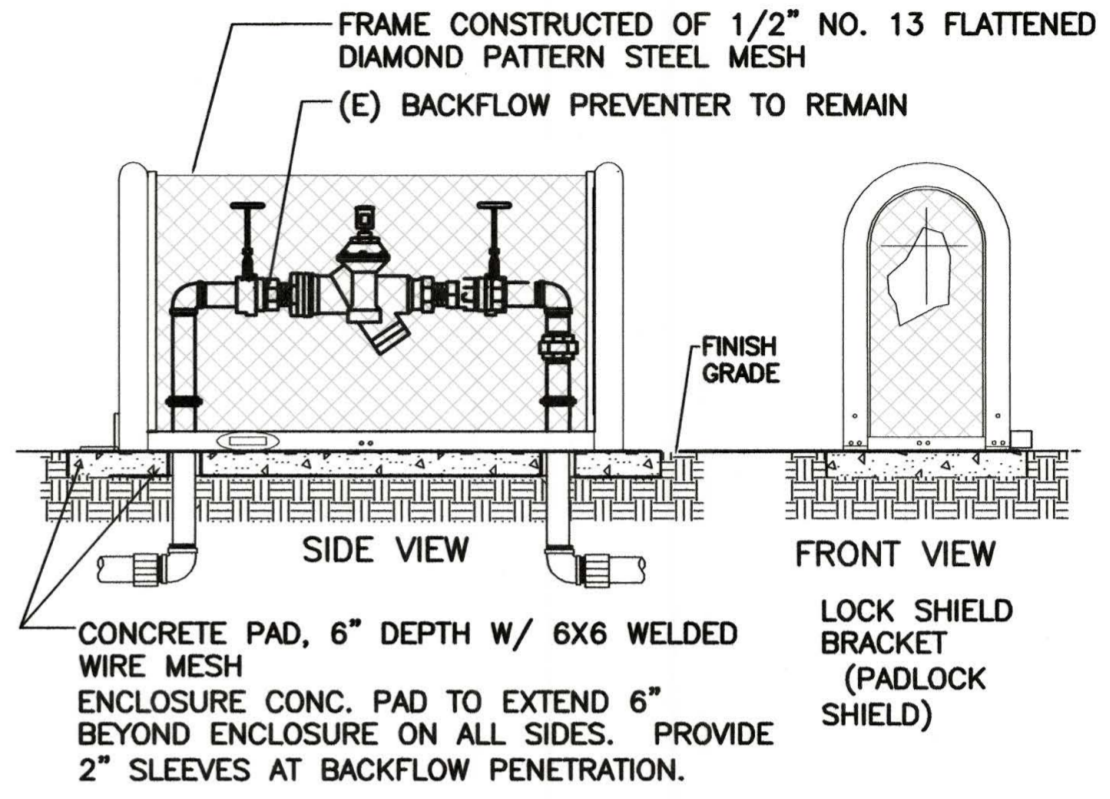
**E QUICK COUPLER VALVE**  
NOT TO SCALE



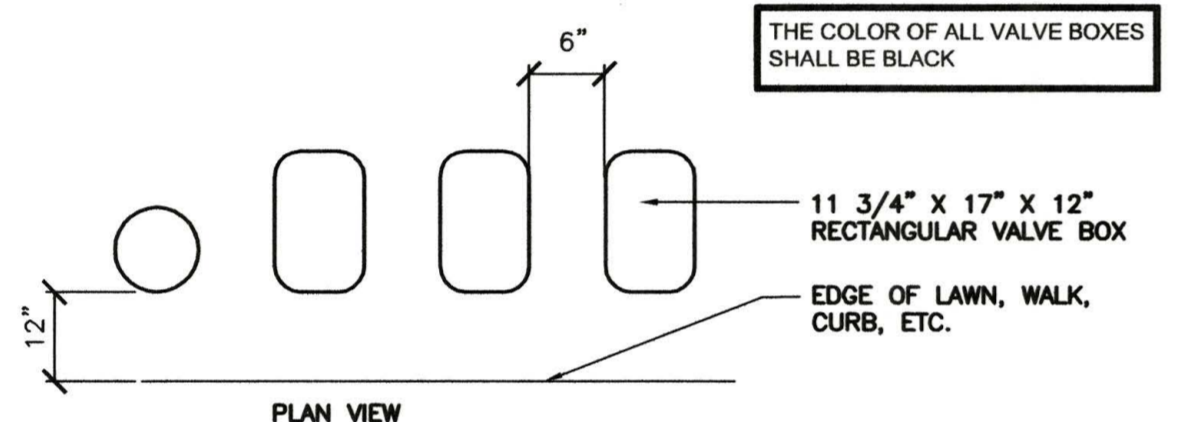
- NOTES:**
1. INSTALL BOX PARALLEL TO EDGES AND ADJACENT TO WALK WHEREVER POSSIBLE
  2. SEAL WIRE ENDS IN EPOXY SEALING PACKS

**C REMOTE CONTROL VALVE**  
NOT TO SCALE

IRRIGATION CONTRACTOR IS RESPONSIBLE FOR ENCLOSING THE REDUCED PRESSURE BACKFLOW ASSEMBLY IN A BPI 'GUARDSHACK' BACKFLOW PREVENTER ENCLOSURE MODEL GS-M3, (CONFIRM THIS IS THE CORRECT MODEL/SIZE FOR (E) WILKINS 975XL BACKFLOW) OR APPROVED EQUAL. THIS ENCLOSURE SHALL BE FIRMLY SUPPORTED BY CONCRETE PAD AS DETAILED. CONTACT GUARDSHACK ENCLOSURES, (800) 266-5411. INSTALLATION PER MANUFACT. RECOMMENDATIONS, POWDER COATED BLACK COLOR.



**A NEW BACKFLOW ENCLOSURE DETAIL**  
NOT TO SCALE



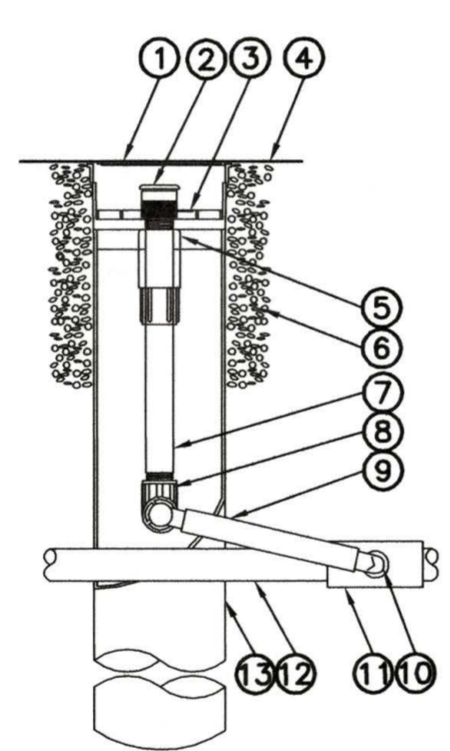
THE COLOR OF ALL VALVE BOXES SHALL BE BLACK

**NOTES:**

1. PLASTIC VALVE BOXES ARE TO BE BLACK IN COLOR WITH BOLT DOWN, NON-HINGED COVER MARKED "IRRIGATION". BOX BODY SHALL HAVE KNOCK OUTS. MANUFACTURER SHALL BE CARSON INDUSTRIES OR APPROVED EQUAL.
2. CENTER VALVE BOX OVER REMOTE CONTROL VALVE TO FACILITATE SERVICING VALVE.
3. SET BOXES 2" ABOVE FINISH GRADE OR MULCH COVER IN GROUNDCOVER/SHRUB AREA AND FLUSH WITH FINISH GRADE IN TURF AREA.
4. SET RCV AND VALVE BOX ASSEMBLY IN GROUNDCOVER/SHRUB AREA WHERE POSSIBLE. INSTALL IN LAWN ONLY IF GROUNDCOVER DOES NOT EXIST ADJACENT TO LAWN.
5. SET BOXES PARALLEL TO EACH OTHER AND PERPENDICULAR TO EDGE OF LAWN, WALK, FENCE, CURB, ETC.
6. AVOID HEAVILY COMPACTING SOIL AROUND VALVE BOXES TO PREVENT COLLAPSE AND DEFORMATION OF VALVE BOX SIDES.
7. INSTALL EXTENSION BY VALVE BOX MANUFACTURER AS REQUIRED TO COMPLETELY ENCLOSE ASSEMBLY FOR EASY ACCESS.

**H VALVE BOX INSTALLATION**  
NOT TO SCALE

**NOTE:** LOCATE BUBBLERS UPHILL OF TREE, PLANTS

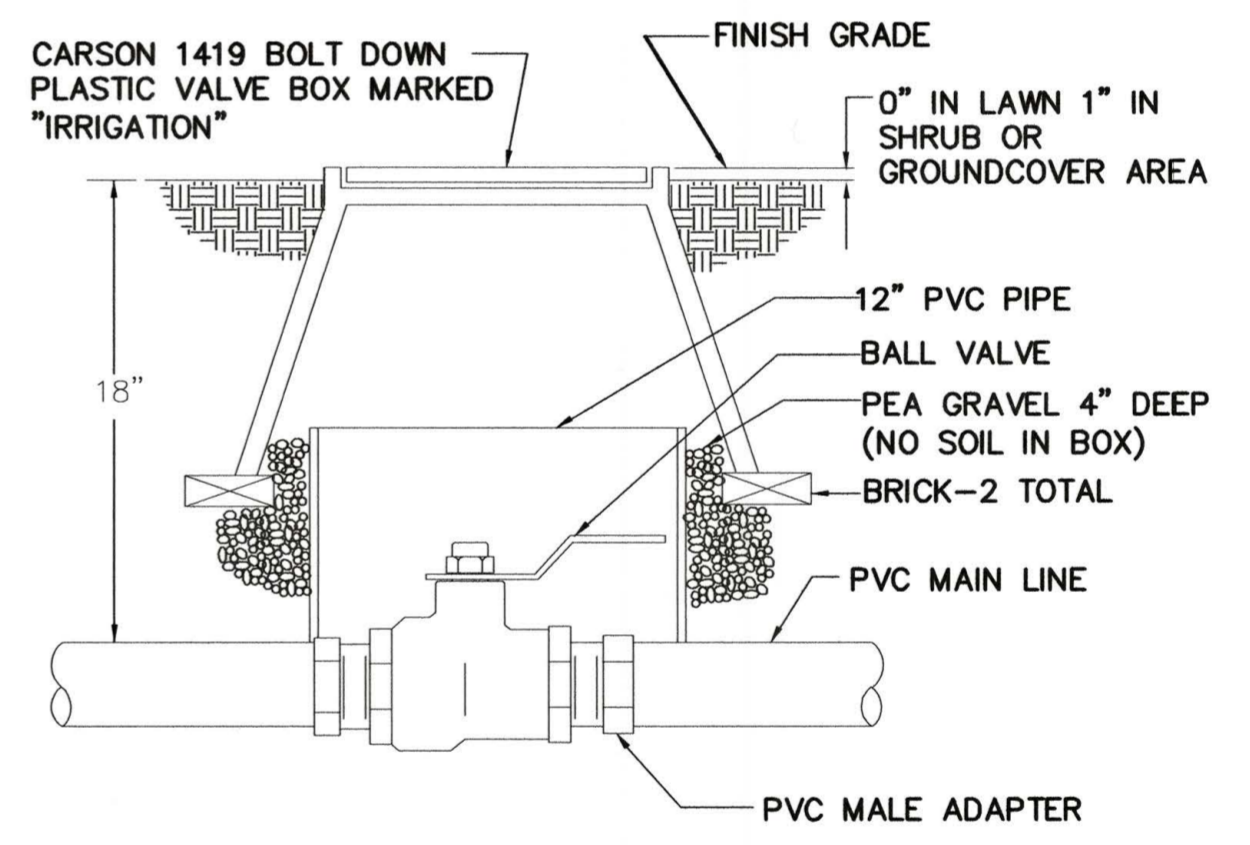


- 1 4-INCH GRATE (INCLUDED)
- 2 BUBBLER: RAIN BIRD (INCLUDED)
- 3 ROOT WATERING SYSTEM: RAIN BIRD RWS-BCG02 (INCLUDES 1402 0.50 GPM BUBBLER WITH RISER, CHECK VALVE, GRATE, SWING ASSEMBLY, 1/2" MALE NPT INLET, AND BASKET CANISTER)
- 4 FINISH GRADE
- 5 CHECK VALVE (INCLUDED)
- 6 OPTIONAL PEA GRAVEL OR RWS SAND SOCK (RWS-SOCK) FOR SANDY SOILS
- 7 1/2-INCH PVC SCH 80 NIPPLE (INCLUDED)
- 8 1/2-INCH 90-DEGREE ELBOW (INCLUDED)
- 9 12-INCH SWING ASSEMBLY (INCLUDED)
- 10 1/2-INCH MALE NPT INLET (INCLUDED)
- 11 PVC SCH 40 TEE OR EL
- 12 LATERAL PIPE
- 13 4-INCH BASKET WEAVE CANISTER (INCLUDED)

**F BUBBLER FOR TREES - ROOT WATERING SYSTEM (2) PER TREE**  
NOT TO SCALE

NOT USED

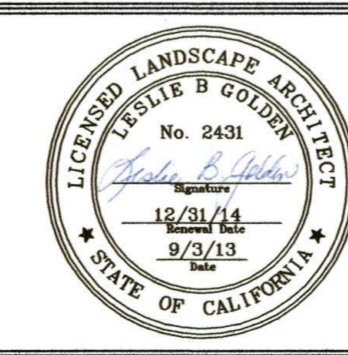
**D**



**B BALL VALVE**  
NOT TO SCALE

NO.	DATE	BY	REVISIONS

SCALE	1" = 20'
DATE	September 3, 2013
DRAWN BY	HK
CHECKED BY	LG



**IRRIGATION DETAILS**  
**CITY OF LAFAYETTE**  
 PROJECT No. 014-9696  
 MOUNT DIABLO BLVD / FIRST STREET TO BROWN AVENUE  
 EAST END PED/BIKE AND STREETSCAPE IMPROVEMENTS PROJECT  
 LAFAYETTE CALIFORNIA

REVIEWED BY:  
**CITY OF LAFAYETTE**  
  
 TONY COE  
 ENGINEERING SERVICES MANAGER

SHEET **L106**  
 PROJ. NO. 014-9696