

All Traffic Data

(916) 771-8700
F (916) 786-2879

LAFAYETTE

File Name : 09-7331-025 FIRST-EB CA 24 ON RAMP-F
Site Code : 00000000
Start Date : 09/02/2009
Page No : 1

Groups Printed- Unshifted

Start Time	FIRST ST. Southbound					EB CA 24 ON RAMP Westbound					FIRST ST. Northbound					Eastbound					Exclu. Total	Inclu. Total	Int. Total	
	Left	Thru	Right	Peds	App. Total	Left	Thru	Right	Peds	App. Total	Left	Thru	Right	Peds	App. Total	Left	Thru	Right	Peds	App. Total				
07:00	19	126	0	0	145	0	0	0	0	0	0	73	113	0	186	0	0	0	0	0	0	0	331	331
07:15	48	139	0	0	187	0	0	0	0	0	0	69	130	0	199	0	0	0	0	0	0	0	386	386
07:30	55	146	0	0	201	0	0	0	0	0	0	84	172	0	256	0	0	0	0	0	0	0	457	457
07:45	69	161	0	0	230	0	0	0	0	0	0	92	162	0	254	0	0	0	3	0	0	3	484	487
Total	191	572	0	0	763	0	0	0	0	0	0	318	577	0	895	0	0	0	3	0	0	3	1658	1661
08:00	49	175	0	0	224	0	0	0	0	0	0	94	137	0	231	0	0	0	2	0	0	2	455	457
08:15	69	183	0	0	252	0	0	0	1	0	0	87	143	0	230	0	0	0	0	0	0	1	482	483
08:30	77	210	0	0	287	0	0	0	0	0	0	83	148	0	231	0	0	0	7	0	0	7	518	525
08:45	53	229	0	0	282	0	0	0	0	0	0	80	147	0	227	0	0	0	0	0	0	0	509	509
Total	248	797	0	0	1045	0	0	0	1	0	0	344	575	0	919	0	0	0	9	0	0	10	1964	1974
*** BREAK ***																								
11:45	72	193	0	0	265	0	0	0	0	0	0	59	170	0	229	0	0	0	0	0	0	0	494	494
Total	72	193	0	0	265	0	0	0	0	0	0	59	170	0	229	0	0	0	0	0	0	0	494	494
12:00	63	191	0	0	254	0	0	0	0	0	0	67	180	0	247	0	0	0	0	0	0	0	501	501
12:15	73	194	0	0	267	0	0	0	0	0	0	61	179	0	240	0	0	0	1	0	0	1	507	508
12:30	83	184	0	0	267	0	0	0	0	0	0	62	179	0	241	0	0	0	0	0	0	0	508	508
12:45	73	184	0	0	257	0	0	0	1	0	0	61	172	0	233	0	0	0	0	0	0	1	490	491
Total	292	753	0	0	1045	0	0	0	1	0	0	251	710	0	961	0	0	0	1	0	0	2	2006	2008
13:00	75	180	0	0	255	0	0	0	0	0	0	68	181	0	249	0	0	0	0	0	0	0	504	504
13:15	60	185	0	0	245	0	0	0	0	0	0	64	177	0	241	0	0	0	0	0	0	0	486	486
13:30	58	190	0	0	248	0	0	0	0	0	0	69	172	0	241	0	0	0	0	0	0	0	489	489
13:45	84	168	0	0	252	0	0	0	0	0	0	53	171	0	224	0	0	0	1	0	0	1	476	477
Total	277	723	0	0	1000	0	0	0	0	0	0	254	701	0	955	0	0	0	1	0	0	1	1955	1956
14:00	73	175	0	0	248	0	0	0	0	0	0	71	192	0	263	0	0	0	0	0	0	0	511	511
14:15	74	212	0	0	286	0	0	0	0	0	0	64	169	0	233	0	0	0	0	0	0	0	519	519
14:30	74	211	0	0	285	0	0	0	0	0	0	63	181	0	244	0	0	0	0	0	0	0	529	529
14:45	89	236	0	0	325	0	0	0	0	0	0	64	185	0	249	0	0	0	1	0	0	1	574	575
Total	310	834	0	0	1144	0	0	0	0	0	0	262	727	0	989	0	0	0	1	0	0	1	2133	2134
15:00	92	220	0	0	312	0	0	0	0	0	0	81	182	0	263	0	0	0	4	0	0	4	575	579
*** BREAK ***																								
Total	92	220	0	0	312	0	0	0	0	0	0	81	182	0	263	0	0	0	4	0	0	4	575	579
16:00	101	203	0	0	304	0	0	0	0	0	0	76	192	0	268	0	0	0	2	0	0	2	572	574
16:15	77	225	0	0	302	0	0	0	0	0	0	68	189	0	257	0	0	0	0	0	0	0	559	559
16:30	93	208	0	0	301	0	0	0	0	0	0	66	189	0	255	0	0	0	0	0	0	0	556	556
16:45	101	230	0	0	331	0	0	0	0	0	0	79	167	0	246	0	0	0	0	0	0	0	577	577
Total	372	866	0	0	1238	0	0	0	0	0	0	289	737	0	1026	0	0	0	2	0	0	2	2264	2266

All Traffic Data

(916) 771-8700
F (916) 786-2879

LAFAYETTE

File Name : 09-7331-025 FIRST-EB CA 24 ON RAMP-F
Site Code : 00000000
Start Date : 09/02/2009
Page No : 2

Groups Printed- Unshifted

Start Time	FIRST ST. Southbound					EB CA 24 ON RAMP Westbound					FIRST ST. Northbound					Eastbound					Exclu. Total	Inclu. Total	Int. Total
	Left	Thru	Right	Peds	App. Total	Left	Thru	Right	Peds	App. Total	Left	Thru	Right	Peds	App. Total	Left	Thru	Right	Peds	App. Total			
17:00	131	204	0	0	335	0	0	0	0	0	0	73	188	0	261	0	0	0	2	0	2	596	598
17:15	119	212	0	0	331	0	0	0	0	0	0	62	181	0	243	0	0	0	0	0	0	574	574
17:30	144	224	0	0	368	0	0	0	0	0	0	79	186	0	265	0	0	0	0	0	0	633	633
17:45	138	225	0	0	363	0	0	0	0	0	0	71	176	0	247	0	0	0	0	0	0	610	610
Total	532	865	0	0	1397	0	0	0	0	0	0	285	731	0	1016	0	0	0	2	0	2	2413	2415
Grand Total	2386	5823	0	0	8209	0	0	0	2	0	0	2143	5110	0	7253	0	0	0	23	0	25	15462	15487
Apprch %	29.1	70.9	0	0		0	0	0	0	0	0	29.5	70.5	0		0	0	0		0			
Total %	15.4	37.7	0	0	53.1	0	0	0	0	0	0	13.9	33	0	46.9	0	0	0	0	0	0.2	99.8	

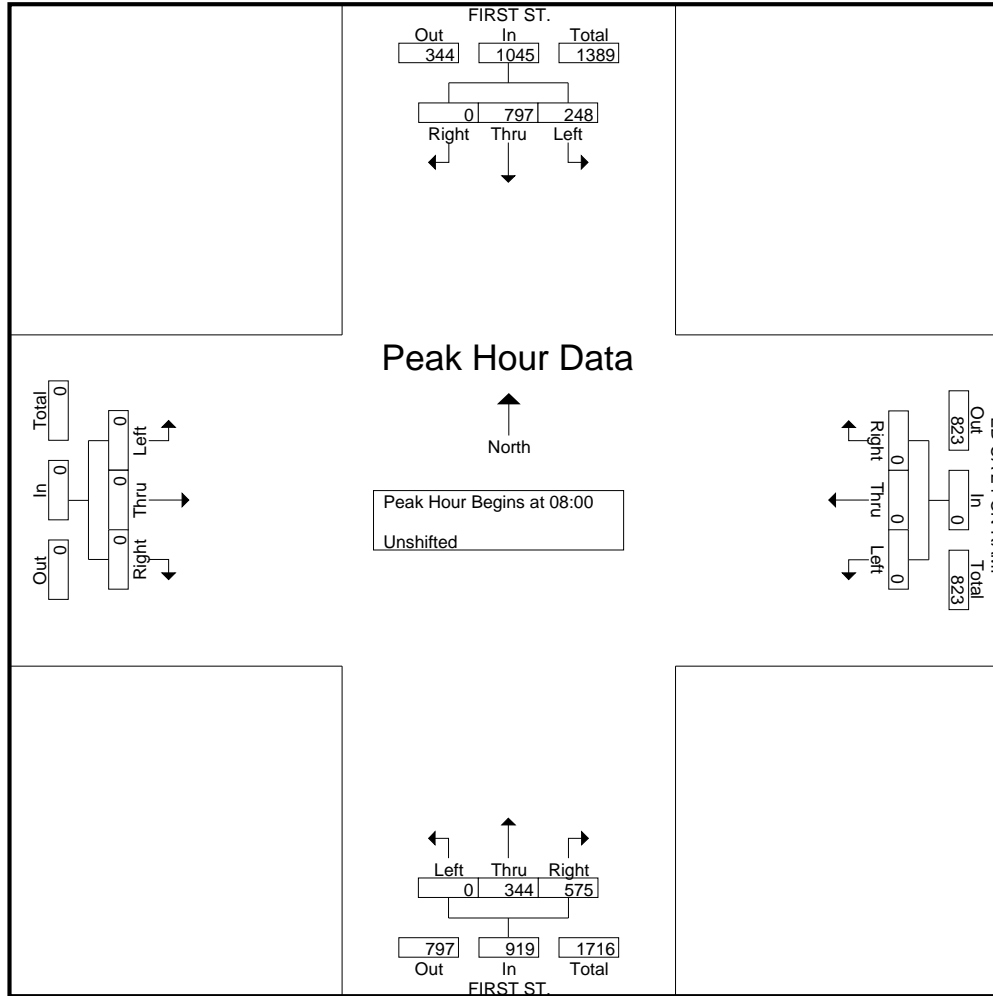
Start Time	FIRST ST. Southbound				EB CA 24 ON RAMP Westbound				FIRST ST. Northbound				Eastbound				Int. Total
	Left	Thru	Right	App. Total	Left	Thru	Right	App. Total	Left	Thru	Right	App. Total	Left	Thru	Right	App. Total	
Peak Hour Analysis From 07:00 to 08:45 - Peak 1 of 1																	
Peak Hour for Entire Intersection Begins at 08:00																	
08:00	49	175	0	224	0	0	0	0	0	94	137	231	0	0	0	0	455
08:15	69	183	0	252	0	0	0	0	0	87	143	230	0	0	0	0	482
08:30	77	210	0	287	0	0	0	0	0	83	148	231	0	0	0	0	518
08:45	53	229	0	282	0	0	0	0	0	80	147	227	0	0	0	0	509
Total Volume	248	797	0	1045	0	0	0	0	0	344	575	919	0	0	0	0	1964
% App. Total	23.7	76.3	0		0	0	0	0	0	37.4	62.6		0	0	0		
PHF	.805	.870	.000	.910	.000	.000	.000	.000	.000	.915	.971	.995	.000	.000	.000	.000	.948

All Traffic Data

(916) 771-8700
F (916) 786-2879

LAFAYETTE

File Name : 09-7331-025 FIRST-EB CA 24 ON RAMP-F
Site Code : 00000000
Start Date : 09/02/2009
Page No : 3



Peak Hour Analysis From 11:15 to 15:00 - Peak 1 of 1
Peak Hour for Entire Intersection Begins at 14:15

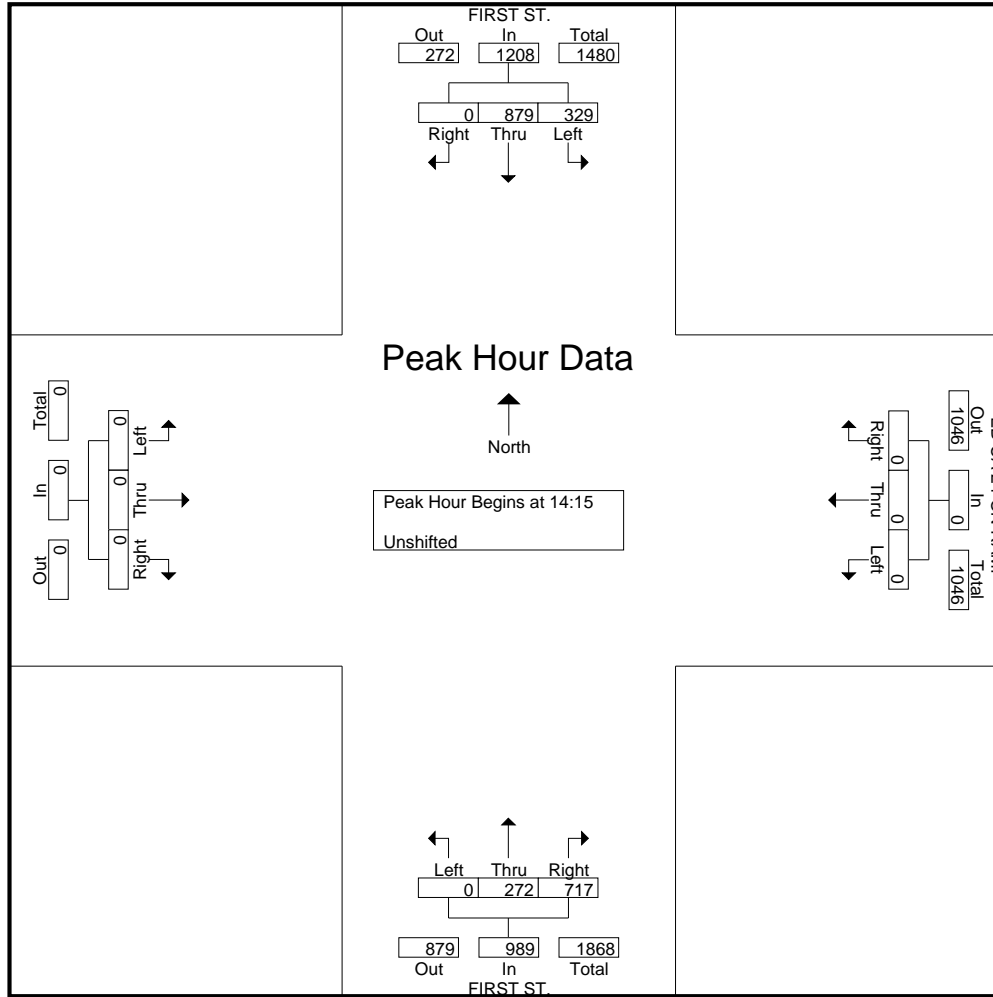
14:15	74	212	0	286	0	0	0	0	0	64	169	233	0	0	0	0	519
14:30	74	211	0	285	0	0	0	0	0	63	181	244	0	0	0	0	529
14:45	89	236	0	325	0	0	0	0	0	64	185	249	0	0	0	0	574
15:00	92	220	0	312	0	0	0	0	0	81	182	263	0	0	0	0	575
Total Volume	329	879	0	1208	0	0	0	0	0	272	717	989	0	0	0	0	2197
% App. Total	27.2	72.8	0		0	0	0	0	0	27.5	72.5		0	0	0	0	
PHF	.894	.931	.000	.929	.000	.000	.000	.000	.000	.840	.969	.940	.000	.000	.000	.000	.955

All Traffic Data

(916) 771-8700
F (916) 786-2879

LAFAYETTE

File Name : 09-7331-025 FIRST-EB CA 24 ON RAMP-F
Site Code : 00000000
Start Date : 09/02/2009
Page No : 4



Peak Hour Analysis From 16:00 to 17:45 - Peak 1 of 1
Peak Hour for Entire Intersection Begins at 17:00

17:00	131	204	0	335	0	0	0	0	0	73	188	261	0	0	0	0	596
17:15	119	212	0	331	0	0	0	0	0	62	181	243	0	0	0	0	574
17:30	144	224	0	368	0	0	0	0	0	79	186	265	0	0	0	0	633
17:45	138	225	0	363	0	0	0	0	0	71	176	247	0	0	0	0	610
Total Volume	532	865	0	1397	0	0	0	0	0	285	731	1016	0	0	0	0	2413
% App. Total	38.1	61.9	0		0	0	0	0	0	28.1	71.9		0	0	0		
PHF	.924	.961	.000	.949	.000	.000	.000	.000	.000	.902	.972	.958	.000	.000	.000	.000	.953

All Traffic Data

(916) 771-8700
F (916) 786-2879

LAFAYETTE

File Name : 09-7331-025 FIRST-EB CA 24 ON RAMP-F
Site Code : 00000000
Start Date : 09/02/2009
Page No : 5

