

All Traffic Data

(916) 771-8700
F (916) 786-2879

LAFAYETTE

File Name : 09-7331-024 SIERRA VISTA-DEER HILL-F
Site Code : 00000000
Start Date : 09/02/2009
Page No : 1

Groups Printed- Unshifted

Start Time	SIERRA VISTA WAY Southbound					DEER HILL RD. Westbound					FIRST ST. Northbound					DEER HILL RD. Eastbound					Exclu. Total	Inclu. Total	Int. Total
	Left	Thru	Right	Peds	App. Total	Left	Thru	Right	Peds	App. Total	Left	Thru	Right	Peds	App. Total	Left	Thru	Right	Peds	App. Total			
07:00	0	6	3	0	9	15	94	0	0	109	64	2	7	0	73	0	20	132	0	152	0	343	343
07:15	0	4	2	1	6	25	105	0	0	130	56	0	13	0	69	2	30	156	0	188	1	393	394
07:30	1	5	3	1	9	43	111	0	0	154	62	2	13	0	77	1	44	154	1	199	2	439	441
07:45	2	6	3	0	11	33	127	0	0	160	82	2	19	0	103	6	36	193	2	235	2	509	511
Total	3	21	11	2	35	116	437	0	0	553	264	6	52	0	322	9	130	635	3	774	5	1684	1689
08:00	5	5	11	0	21	30	110	0	0	140	69	2	25	0	96	4	68	192	2	264	2	521	523
08:15	1	5	10	1	16	33	107	1	1	141	68	2	21	0	91	4	105	227	0	336	2	584	586
08:30	0	6	3	0	9	41	114	1	0	156	67	4	15	1	86	10	37	240	6	287	7	538	545
08:45	2	5	2	4	9	36	114	1	1	151	57	5	20	0	82	7	30	241	3	278	8	520	528
Total	8	21	26	5	55	140	445	3	2	588	261	13	81	1	355	25	240	900	11	1165	19	2163	2182
*** BREAK ***																							
11:45	0	4	0	0	4	19	52	0	0	71	42	5	17	0	64	7	54	242	0	303	0	442	442
Total	0	4	0	0	4	19	52	0	0	71	42	5	17	0	64	7	54	242	0	303	0	442	442
12:00	0	4	0	0	4	13	46	0	0	59	43	2	23	0	68	3	56	243	0	302	0	433	433
12:15	0	3	2	0	5	13	44	0	0	57	48	1	12	0	61	4	47	249	1	300	1	423	424
12:30	0	3	6	0	9	18	42	2	0	62	44	1	13	0	58	5	50	246	0	301	0	430	430
12:45	1	6	4	0	11	17	36	2	1	55	45	3	13	0	61	4	50	239	0	293	1	420	421
Total	1	16	12	0	29	61	168	4	1	233	180	7	61	0	248	16	203	977	1	1196	2	1706	1708
13:00	1	2	0	0	3	21	30	0	0	51	43	3	21	0	67	5	48	236	0	289	0	410	410
13:15	1	5	2	0	8	12	28	0	0	40	48	0	11	0	59	6	47	235	0	288	0	395	395
13:30	2	3	2	0	7	20	36	1	0	57	56	4	17	0	77	6	48	243	0	297	0	438	438
13:45	0	1	3	0	4	17	39	1	0	57	30	0	21	1	51	9	47	236	0	292	1	404	405
Total	4	11	7	0	22	70	133	2	0	205	177	7	70	1	254	26	190	950	0	1166	1	1647	1648
14:00	1	5	0	0	6	15	46	0	0	61	45	3	24	0	72	4	57	230	1	291	1	430	431
14:15	0	6	10	0	16	25	55	1	0	81	42	3	19	0	64	4	59	239	0	302	0	463	463
14:30	1	1	1	0	3	31	64	3	1	98	46	1	22	0	69	8	67	251	0	326	1	496	497
14:45	1	7	6	0	14	27	61	1	0	89	44	3	15	0	62	9	74	295	2	378	2	543	545
Total	3	19	17	0	39	98	226	5	1	329	177	10	80	0	267	25	257	1015	3	1297	4	1932	1936
15:00	1	12	2	0	15	28	44	2	0	74	52	6	30	0	88	5	80	254	2	339	2	516	518
*** BREAK ***																							
Total	1	12	2	0	15	28	44	2	0	74	52	6	30	0	88	5	80	254	2	339	2	516	518
16:00	0	8	0	0	8	14	45	0	0	59	45	1	28	0	74	5	74	284	2	363	2	504	506
16:15	0	1	1	1	2	18	44	0	0	62	38	2	34	1	74	7	73	280	0	360	2	498	500
16:30	0	3	4	0	7	15	46	0	0	61	38	9	24	0	71	7	93	295	0	395	0	534	534
16:45	1	4	4	0	9	21	50	3	0	74	45	1	28	0	74	12	115	300	0	427	0	584	584
Total	1	16	9	1	26	68	185	3	0	256	166	13	114	1	293	31	355	1159	2	1545	4	2120	2124

All Traffic Data

(916) 771-8700
F (916) 786-2879

LAFAYETTE

File Name : 09-7331-024 SIERRA VISTA-DEER HILL-F
Site Code : 00000000
Start Date : 09/02/2009
Page No : 2

Groups Printed- Unshifted

Start Time	SIERRA VISTA WAY Southbound					DEER HILL RD. Westbound					FIRST ST. Northbound					DEER HILL RD. Eastbound					Exclu. Total	Inclu. Total	Int. Total
	Left	Thru	Right	Peds	App. Total	Left	Thru	Right	Peds	App. Total	Left	Thru	Right	Peds	App. Total	Left	Thru	Right	Peds	App. Total			
17:00	2	8	4	0	14	23	63	0	0	86	44	3	28	0	75	4	125	309	0	438	0	613	613
17:15	0	1	0	0	1	27	56	0	0	83	37	2	23	0	62	8	126	304	0	438	0	584	584
17:30	1	8	2	1	11	16	52	0	1	68	48	4	28	0	80	4	162	342	0	508	2	667	669
17:45	2	7	3	1	12	18	63	2	0	83	37	5	37	0	79	5	147	341	0	493	1	667	668
Total	5	24	9	2	38	84	234	2	1	320	166	14	116	0	296	21	560	1296	0	1877	3	2531	2534
Grand Total	26	144	93	10	263	684	1924	21	5	2629	1485	81	621	3	2187	165	2069	7428	22	9662	40	14741	14781
Apprch %	9.9	54.8	35.4			26	73.2	0.8			67.9	3.7	28.4			1.7	21.4	76.9					
Total %	0.2	1	0.6		1.8	4.6	13.1	0.1		17.8	10.1	0.5	4.2		14.8	1.1	14	50.4		65.5	0.3	99.7	

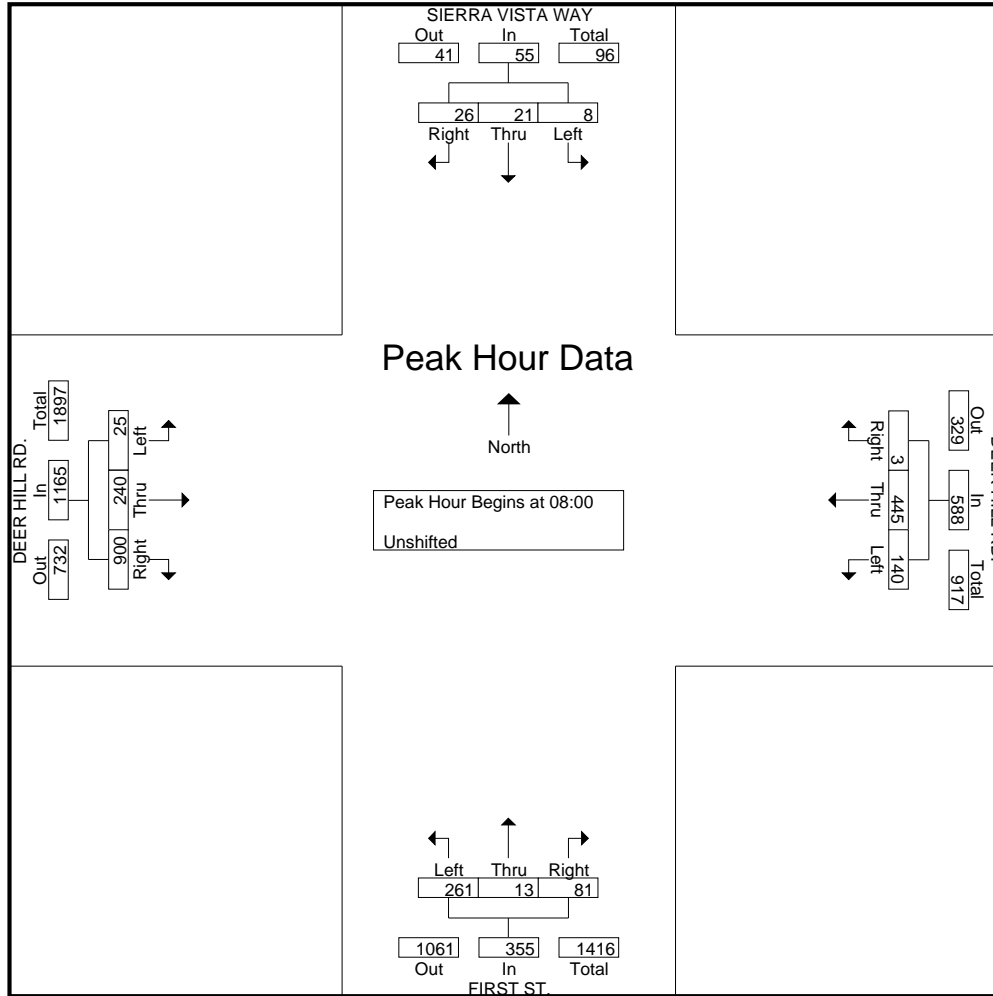
Start Time	SIERRA VISTA WAY Southbound				DEER HILL RD. Westbound				FIRST ST. Northbound				DEER HILL RD. Eastbound				Int. Total
	Left	Thru	Right	App. Total	Left	Thru	Right	App. Total	Left	Thru	Right	App. Total	Left	Thru	Right	App. Total	
Peak Hour Analysis From 07:00 to 08:45 - Peak 1 of 1																	
Peak Hour for Entire Intersection Begins at 08:00																	
08:00	5	5	11	21	30	110	0	140	69	2	25	96	4	68	192	264	521
08:15	1	5	10	16	33	107	1	141	68	2	21	91	4	105	227	336	584
08:30	0	6	3	9	41	114	1	156	67	4	15	86	10	37	240	287	538
08:45	2	5	2	9	36	114	1	151	57	5	20	82	7	30	241	278	520
Total Volume	8	21	26	55	140	445	3	588	261	13	81	355	25	240	900	1165	2163
% App. Total	14.5	38.2	47.3		23.8	75.7	0.5		73.5	3.7	22.8		2.1	20.6	77.3		
PHF	.400	.875	.591	.655	.854	.976	.750	.942	.946	.650	.810	.924	.625	.571	.934	.867	.926

All Traffic Data

(916) 771-8700
F (916) 786-2879

LAFAYETTE

File Name : 09-7331-024 SIERRA VISTA-DEER HILL-F
Site Code : 00000000
Start Date : 09/02/2009
Page No : 3



Peak Hour Analysis From 11:15 to 15:00 - Peak 1 of 1
Peak Hour for Entire Intersection Begins at 14:15

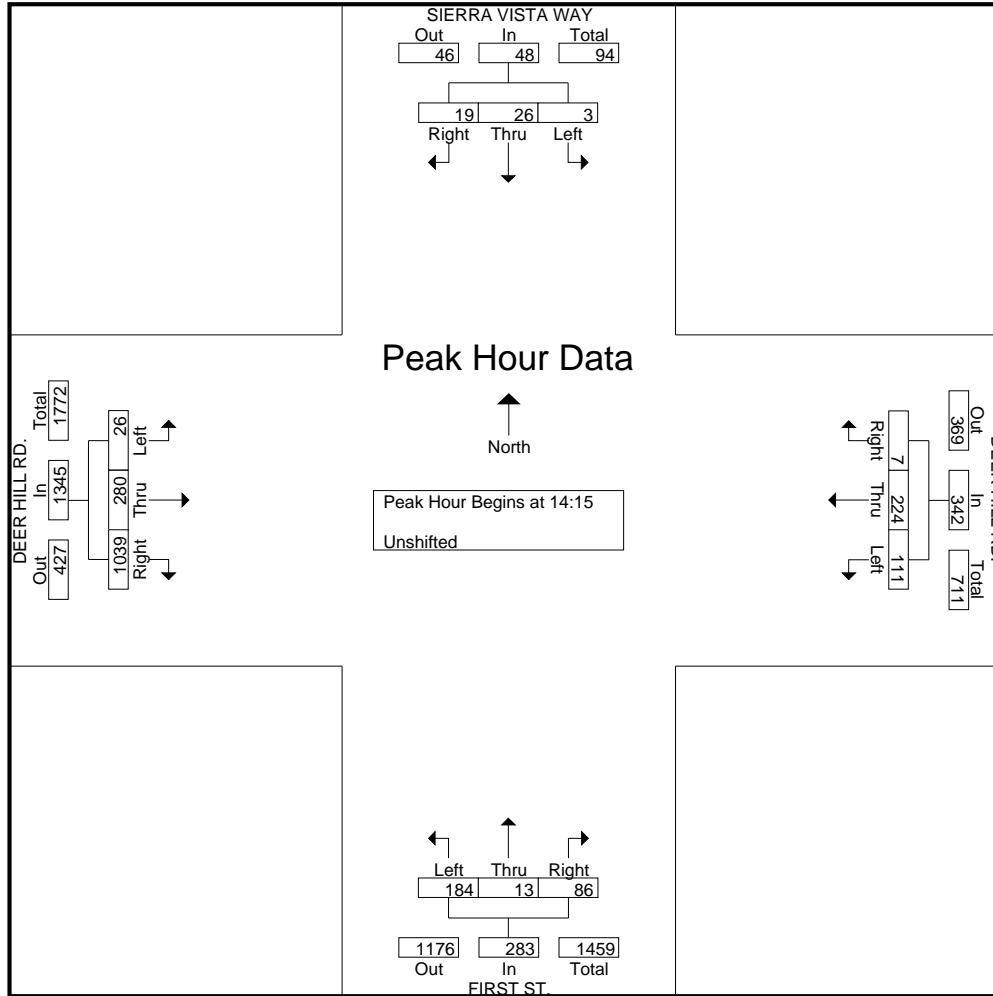
14:15	0	6	10	16	25	55	1	81	42	3	19	64	4	59	239	302	463
14:30	1	1	1	3	31	64	3	98	46	1	22	69	8	67	251	326	496
14:45	1	7	6	14	27	61	1	89	44	3	15	62	9	74	295	378	543
15:00	1	12	2	15	28	44	2	74	52	6	30	88	5	80	254	339	516
Total Volume	3	26	19	48	111	224	7	342	184	13	86	283	26	280	1039	1345	2018
% App. Total	6.2	54.2	39.6		32.5	65.5	2		65	4.6	30.4		1.9	20.8	77.2		
PHF	.750	.542	.475	.750	.895	.875	.583	.872	.885	.542	.717	.804	.722	.875	.881	.890	.929

All Traffic Data

(916) 771-8700
F (916) 786-2879

LAFAYETTE

File Name : 09-7331-024 SIERRA VISTA-DEER HILL-F
Site Code : 00000000
Start Date : 09/02/2009
Page No : 4



Peak Hour Analysis From 16:00 to 17:45 - Peak 1 of 1
Peak Hour for Entire Intersection Begins at 17:00

17:00	2	8	4	14	23	63	0	86	44	3	28	75	4	125	309	438	613
17:15	0	1	0	1	27	56	0	83	37	2	23	62	8	126	304	438	584
17:30	1	8	2	11	16	52	0	68	48	4	28	80	4	162	342	508	667
17:45	2	7	3	12	18	63	2	83	37	5	37	79	5	147	341	493	667
Total Volume	5	24	9	38	84	234	2	320	166	14	116	296	21	560	1296	1877	2531
% App. Total	13.2	63.2	23.7		26.2	73.1	0.6		56.1	4.7	39.2		1.1	29.8	69		
PHF	.625	.750	.563	.679	.778	.929	.250	.930	.865	.700	.784	.925	.656	.864	.947	.924	.949

All Traffic Data

(916) 771-8700
F (916) 786-2879

LAFAYETTE

File Name : 09-7331-024 SIERRA VISTA-DEER HILL-F
Site Code : 00000000
Start Date : 09/02/2009
Page No : 5

