

All Traffic Data

(916) 771-8700
F (916) 786-2879

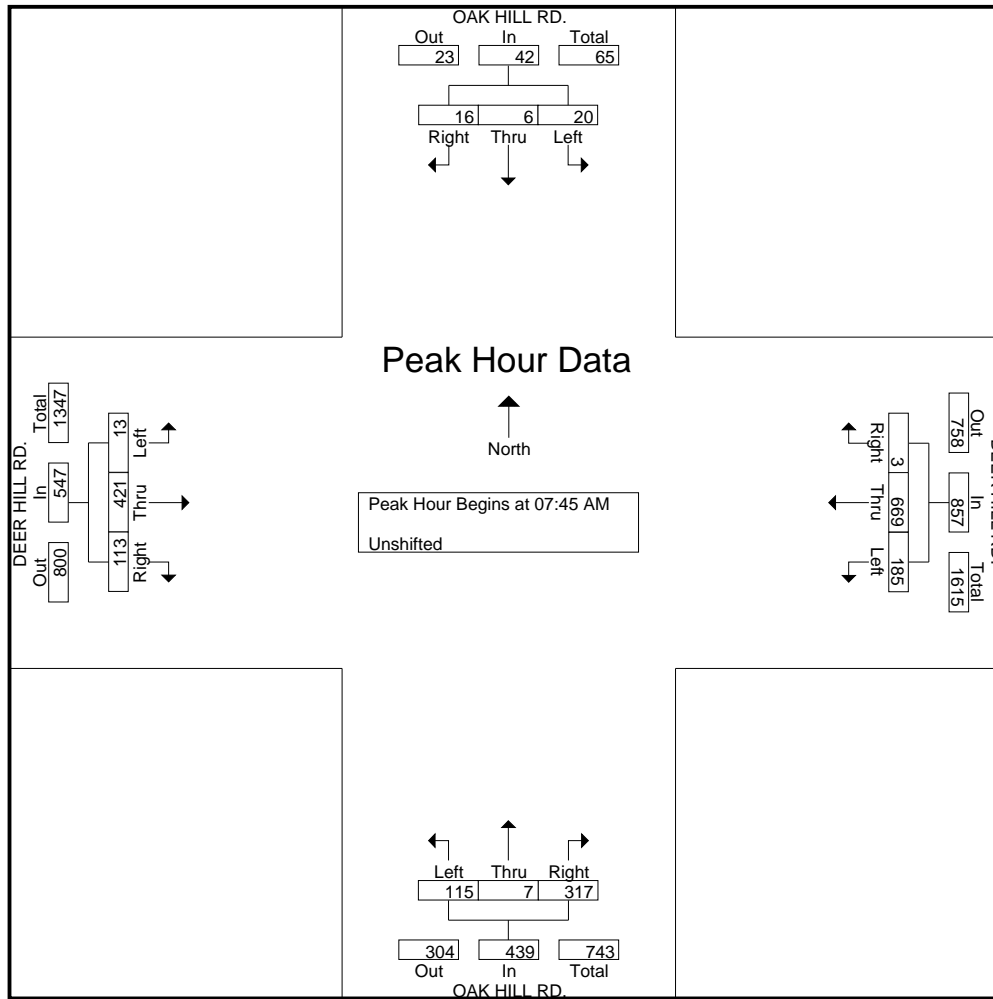
LAFAYETTE

File Name : 08-7280-005 OAK HILL-DEER HILL-F
Site Code : 00000000
Start Date : 05/15/2008
Page No : 1

Groups Printed- Unshifted

Start Time	OAK HILL RD. Southbound					DEER HILL RD. Westbound					OAK HILL RD. Northbound					DEER HILL RD. Eastbound					Exclu. Total	Inclu. Total	Int. Total
	Left	Thru	Right	Peds	App. Total	Left	Thru	Right	Peds	App. Total	Left	Thru	Right	Peds	App. Total	Left	Thru	Right	Peds	App. Total			
07:00 AM	3	0	1	1	4	74	103	0	3	177	31	0	50	54	81	2	62	11	1	75	59	337	396
07:15 AM	3	2	3	1	8	28	97	0	2	125	37	2	65	90	104	0	78	39	3	117	96	354	450
07:30 AM	5	1	2	2	8	36	114	0	2	150	41	0	66	91	107	1	85	28	0	114	95	379	474
07:45 AM	5	0	3	1	8	46	138	0	1	184	22	4	86	86	112	3	116	36	4	155	92	459	551
Total	16	3	9	5	28	184	452	0	8	636	131	6	267	321	404	6	341	114	8	461	342	1529	1871
08:00 AM	8	2	6	2	16	33	187	0	0	220	28	1	82	79	111	2	93	22	2	117	83	464	547
08:15 AM	4	1	5	4	10	49	173	3	3	225	37	1	79	58	117	4	118	28	1	150	66	502	568
08:30 AM	3	3	2	1	8	57	171	0	0	228	28	1	70	28	99	4	94	27	3	125	32	460	492
08:45 AM	4	2	3	2	9	42	156	1	0	199	21	0	72	22	93	3	87	21	2	111	26	412	438
Total	19	8	16	9	43	181	687	4	3	872	114	3	303	187	420	13	392	98	8	503	207	1838	2045
*** BREAK ***																							
04:00 PM	3	0	5	0	8	43	106	0	1	149	26	3	99	15	128	5	126	17	0	148	16	433	449
04:15 PM	7	0	1	0	8	43	109	2	0	154	20	1	87	12	108	2	132	21	1	155	13	425	438
04:30 PM	2	0	0	1	2	35	106	1	0	142	24	2	92	34	118	5	142	19	0	166	35	428	463
04:45 PM	6	1	1	0	8	51	103	5	0	159	29	1	99	22	129	0	119	26	1	145	23	441	464
Total	18	1	7	1	26	172	424	8	1	604	99	7	377	83	483	12	519	83	2	614	87	1727	1814
05:00 PM	1	1	1	1	3	58	95	2	0	155	31	1	96	28	128	0	142	36	0	178	29	464	493
05:15 PM	5	1	3	0	9	61	121	0	0	182	23	5	100	27	128	2	159	40	2	201	29	520	549
05:30 PM	4	2	1	0	7	58	123	2	0	183	28	2	97	64	127	2	179	37	1	218	65	535	600
05:45 PM	5	3	0	0	8	60	110	2	0	172	25	8	78	35	111	0	121	19	0	140	35	431	466
Total	15	7	5	1	27	237	449	6	0	692	107	16	371	154	494	4	601	132	3	737	158	1950	2108
Grand Total	68	19	37	16	124	774	2012	18	12	2804	451	32	1318	745	1801	35	1853	427	21	2315	794	7044	7838
Apprch %	54.8	15.3	29.8			27.6	71.8	0.6			25	1.8	73.2			1.5	80	18.4					
Total %	1	0.3	0.5		1.8	11	28.6	0.3		39.8	6.4	0.5	18.7		25.6	0.5	26.3	6.1		32.9	10.1	89.9	

Start Time	OAK HILL RD. Southbound				DEER HILL RD. Westbound				OAK HILL RD. Northbound				DEER HILL RD. Eastbound				Int. Total
	Left	Thru	Right	App. Total	Left	Thru	Right	App. Total	Left	Thru	Right	App. Total	Left	Thru	Right	App. Total	
Peak Hour Analysis From 07:00 AM to 08:45 AM - Peak 1 of 1																	
Peak Hour for Entire Intersection Begins at 07:45 AM																	
07:45 AM	5	0	3	8	46	138	0	184	22	4	86	112	3	116	36	155	459
08:00 AM	8	2	6	16	33	187	0	220	28	1	82	111	2	93	22	117	464
08:15 AM	4	1	5	10	49	173	3	225	37	1	79	117	4	118	28	150	502
08:30 AM	3	3	2	8	57	171	0	228	28	1	70	99	4	94	27	125	460
Total Volume	20	6	16	42	185	669	3	857	115	7	317	439	13	421	113	547	1885
% App. Total	47.6	14.3	38.1		21.6	78.1	0.4		26.2	1.6	72.2		2.4	77	20.7		



Peak Hour Analysis From 04:00 PM to 05:45 PM - Peak 1 of 1

Peak Hour for Entire Intersection Begins at 04:45 PM

04:45 PM	6	1	1	8	51	103	5	159	29	1	99	129	0	119	26	145	441
05:00 PM	1	1	1	3	58	95	2	155	31	1	96	128	0	142	36	178	464
05:15 PM	5	1	3	9	61	121	0	182	23	5	100	128	2	159	40	201	520
05:30 PM	4	2	1	7	58	123	2	183	28	2	97	127	2	179	37	218	535
Total Volume	16	5	6	27	228	442	9	679	111	9	392	512	4	599	139	742	1960
% App. Total	59.3	18.5	22.2		33.6	65.1	1.3		21.7	1.8	76.6		0.5	80.7	18.7		
PHF	.667	.625	.500	.750	.934	.898	.450	.928	.895	.450	.980	.992	.500	.837	.869	.851	.916

All Traffic Data

(916) 771-8700
F (916) 786-2879

LAFAYETTE

File Name : 08-7280-005 OAK HILL-DEER HILL-F
Site Code : 00000000
Start Date : 05/15/2008
Page No : 3

