

All Traffic Data

(916) 771-8700

F (916) 786-2879

LAFAYETTE

File Name : 08-7280-004 HAPPY VALLEY-DEER HILL-F

Site Code : 00000000

Start Date : 05/15/2008

Page No : 1

Groups Printed- Unshifted

Start Time	HAPPY VALLEY RD. Southbound					DEER HILL RD. Westbound					HAPPY VALLEY RD. Northbound					Eastbound					Exclu. Total	Inclu. Total	Int. Total
	Left	Thru	Right	Peds	App. Total	Left	Thru	Right	Peds	App. Total	Left	Thru	Right	Peds	App. Total	Left	Thru	Right	Peds	App. Total			
07:00 AM	41	7	0	0	48	72	0	19	3	91	0	4	27	0	31	0	0	0	0	0	3	170	173
07:15 AM	44	6	0	0	50	58	0	20	1	78	0	9	36	0	45	0	0	0	0	0	1	173	174
07:30 AM	64	12	0	1	76	72	0	37	3	109	0	13	45	0	58	0	0	0	0	0	4	243	247
07:45 AM	70	14	0	0	84	92	0	35	9	127	0	13	56	1	69	0	0	0	0	0	10	280	290
Total	219	39	0	1	258	294	0	111	16	405	0	39	164	1	203	0	0	0	0	0	18	866	884
08:00 AM	47	17	0	0	64	133	0	64	3	197	0	25	51	2	76	0	0	0	0	0	5	337	342
08:15 AM	87	25	0	0	112	132	0	80	2	212	0	25	62	0	87	0	0	0	0	0	2	411	413
08:30 AM	60	26	0	0	86	134	0	51	1	185	0	12	54	0	66	0	0	0	0	0	1	337	338
08:45 AM	51	21	0	0	72	137	0	29	1	166	0	14	46	0	60	0	0	0	0	0	1	298	299
Total	245	89	0	0	334	536	0	224	7	760	0	76	213	2	289	0	0	0	0	0	9	1383	1392

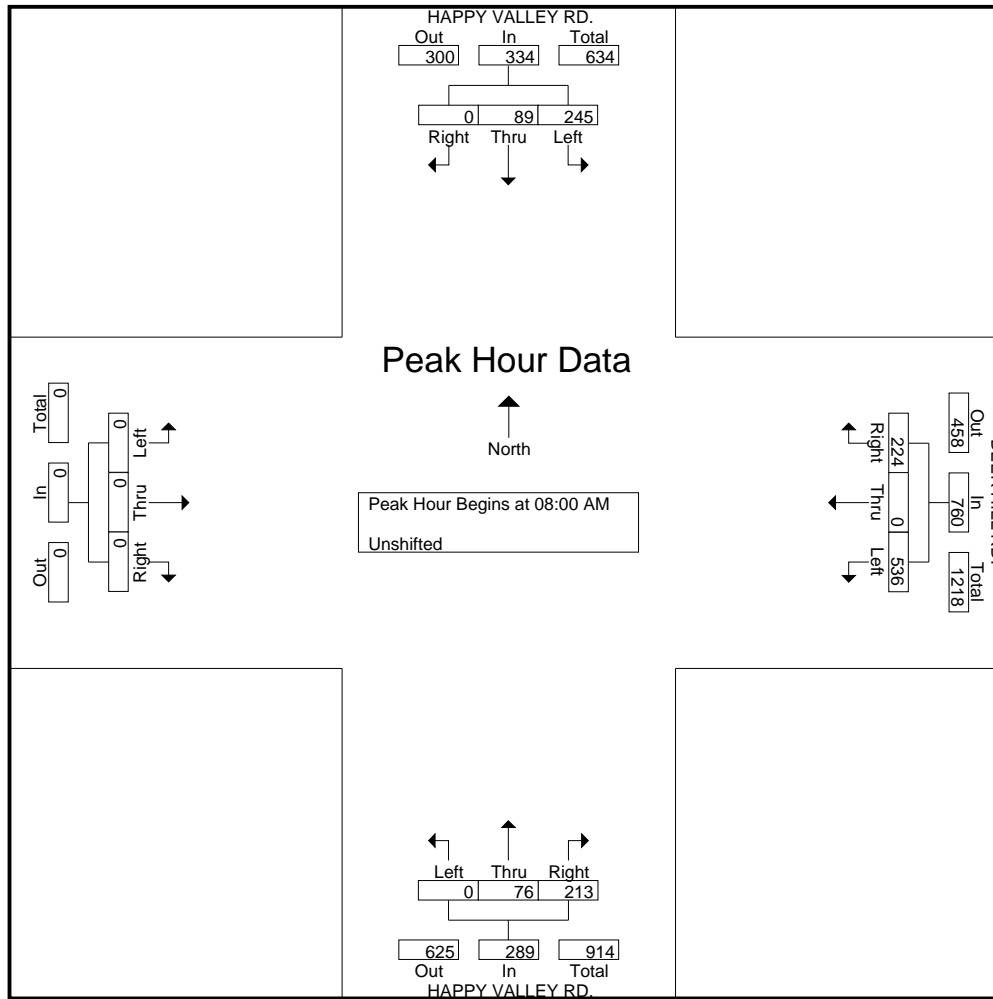
*** BREAK ***

04:00 PM	41	17	0	0	58	75	0	45	2	120	0	12	98	0	110	0	0	0	0	0	2	288	290
04:15 PM	41	15	0	0	56	82	0	32	0	114	0	17	94	0	111	0	0	0	0	0	0	281	281
04:30 PM	29	13	0	0	42	97	0	34	1	131	0	15	111	0	126	0	0	0	0	0	1	299	300
04:45 PM	32	16	0	0	48	88	0	38	0	126	0	16	100	0	116	0	0	0	0	0	0	290	290
Total	143	61	0	0	204	342	0	149	3	491	0	60	403	0	463	0	0	0	0	0	3	1158	1161
05:00 PM	36	18	0	0	54	88	0	43	0	131	0	17	108	1	125	0	0	0	0	0	1	310	311
05:15 PM	45	14	0	0	59	96	0	46	0	142	0	20	108	0	128	0	0	0	0	0	0	329	329
05:30 PM	45	13	0	0	58	100	0	42	0	142	0	18	118	1	136	0	0	0	0	0	1	336	337
05:45 PM	25	17	0	0	42	94	0	39	1	133	0	15	92	0	107	0	0	0	0	0	1	282	283
Total	151	62	0	0	213	378	0	170	1	548	0	70	426	2	496	0	0	0	0	0	3	1257	1260
Grand Total	758	251	0	1	1009	1550	0	654	27	2204	0	245	1206	5	1451	0	0	0	0	0	33	4664	4697
Apprch %	75.1	24.9	0			70.3	0	29.7			0	16.9	83.1			0	0	0					
Total %	16.3	5.4	0		21.6	33.2	0	14		47.3	0	5.3	25.9		31.1	0	0	0		0	0.7	99.3	

Start Time	HAPPY VALLEY RD. Southbound				DEER HILL RD. Westbound				HAPPY VALLEY RD. Northbound				Eastbound				Int. Total
	Left	Thru	Right	App. Total	Left	Thru	Right	App. Total	Left	Thru	Right	App. Total	Left	Thru	Right	App. Total	
08:00 AM	47	17	0	64	133	0	64	197	0	25	51	76	0	0	0	0	337
08:15 AM	87	25	0	112	132	0	80	212	0	25	62	87	0	0	0	0	411
08:30 AM	60	26	0	86	134	0	51	185	0	12	54	66	0	0	0	0	337
08:45 AM	51	21	0	72	137	0	29	166	0	14	46	60	0	0	0	0	298
Total Volume	245	89	0	334	536	0	224	760	0	76	213	289	0	0	0	0	1383
% App. Total	73.4	26.6	0		70.5	0	29.5		0	26.3	73.7		0	0	0		

Peak Hour Analysis From 07:00 AM to 08:45 AM - Peak 1 of 1

Peak Hour for Entire Intersection Begins at 08:00 AM



Peak Hour Analysis From 04:00 PM to 05:45 PM - Peak 1 of 1

Peak Hour for Entire Intersection Begins at 04:45 PM

04:45 PM	32	16	0	48	88	0	38	126	0	16	100	116	0	0	0	0	290
05:00 PM	36	18	0	54	88	0	43	131	0	17	108	125	0	0	0	0	310
05:15 PM	45	14	0	59	96	0	46	142	0	20	108	128	0	0	0	0	329
05:30 PM	45	13	0	58	100	0	42	142	0	18	118	136	0	0	0	0	336
Total Volume	158	61	0	219	372	0	169	541	0	71	434	505	0	0	0	0	1265
% App. Total	72.1	27.9	0	68.8	68.8	0	31.2	31.2	0	14.1	85.9	85.9	0	0	0	0	941
PHF	.878	.847	.000	.928	.930	.000	.918	.952	.000	.888	.919	.928	.000	.000	.000	.000	.941

All Traffic Data

(916) 771-8700
F (916) 786-2879

LAFAYETTE

File Name : 08-7280-004 HAPPY VALLEY-DEER HILL-F
Site Code : 00000000
Start Date : 05/15/2008
Page No : 3

