

All Traffic Data

(916) 771-8700
F (916) 786-2879

LAFAYETTE

File Name : 09-7331-021 HAPPY VALLEY-DEER HILL-F
Site Code : 00000000
Start Date : 09/03/2009
Page No : 1

Groups Printed- Unshifted

Start Time	HAPPY VALLEY RD. Southbound					DEER HILL RD. Westbound					HAPPY VALLEY RD. Northbound					Eastbound					Exclu. Total	Inclu. Total	Int. Total
	Left	Thru	Right	Peds	App. Total	Left	Thru	Right	Peds	App. Total	Left	Thru	Right	Peds	App. Total	Left	Thru	Right	Peds	App. Total			
07:00	24	5	0	0	29	47	0	25	1	72	0	6	27	2	33	0	0	0	0	0	3	134	137
07:15	31	6	0	0	37	69	0	33	0	102	0	4	41	4	45	0	0	0	0	0	4	184	188
07:30	61	15	0	0	76	75	0	30	2	105	0	3	59	0	62	0	0	0	0	0	2	243	245
07:45	61	19	0	0	80	110	0	37	2	147	0	8	58	0	66	0	0	0	0	0	2	293	295
Total	177	45	0	0	222	301	0	125	5	426	0	21	185	6	206	0	0	0	0	0	11	854	865
08:00	58	15	0	0	73	146	0	74	0	220	0	32	51	0	83	0	0	0	0	0	0	376	376
08:15	77	27	0	0	104	130	0	80	1	210	0	31	48	0	79	0	0	0	0	0	1	393	394
08:30	64	35	0	0	99	126	0	35	0	161	0	11	43	0	54	0	0	0	0	0	0	314	314
08:45	43	20	0	0	63	138	0	29	2	167	0	8	40	0	48	0	0	0	0	0	2	278	280
Total	242	97	0	0	339	540	0	218	3	758	0	82	182	0	264	0	0	0	0	0	3	1361	1364
*** BREAK ***																							
11:45	31	20	0	0	51	77	0	42	0	119	0	19	66	0	85	0	0	0	0	0	0	255	255
Total	31	20	0	0	51	77	0	42	0	119	0	19	66	0	85	0	0	0	0	0	0	255	255
12:00	28	13	0	0	41	81	0	26	0	107	0	15	74	0	89	0	0	0	0	0	0	237	237
12:15	30	14	0	0	44	93	0	29	0	122	0	12	67	0	79	0	0	0	0	0	0	245	245
12:30	29	15	0	0	44	88	0	23	0	111	0	10	73	0	83	0	0	0	0	0	0	238	238
12:45	30	14	0	0	44	78	0	20	0	98	0	15	71	0	86	0	0	0	0	0	0	228	228
Total	117	56	0	0	173	340	0	98	0	438	0	52	285	0	337	0	0	0	0	0	0	948	948
13:00	25	9	0	0	34	79	0	13	0	92	0	15	65	0	80	0	0	0	0	0	0	206	206
13:15	22	12	0	0	34	84	0	32	1	116	0	11	67	0	78	0	0	0	0	0	1	228	229
13:30	25	9	0	0	34	78	0	23	1	101	0	17	73	0	90	0	0	0	0	0	1	225	226
13:45	23	13	0	0	36	96	0	20	0	116	0	14	69	0	83	0	0	0	0	0	0	235	235
Total	95	43	0	0	138	337	0	88	2	425	0	57	274	0	331	0	0	0	0	0	2	894	896
14:00	27	14	0	0	41	80	0	45	0	125	0	21	68	0	89	0	0	0	0	0	0	255	255
14:15	38	12	0	0	50	80	0	54	1	134	0	22	60	0	82	0	0	0	0	0	1	266	267
14:30	68	26	0	0	94	87	0	41	0	128	0	17	58	0	75	0	0	0	0	0	0	297	297
14:45	58	31	0	0	89	93	0	41	0	134	0	17	62	0	79	0	0	0	0	0	0	302	302
Total	191	83	0	0	274	340	0	181	1	521	0	77	248	0	325	0	0	0	0	0	1	1120	1121
15:00	53	21	0	0	74	88	0	35	0	123	0	22	91	0	113	0	0	0	0	0	0	310	310
*** BREAK ***																							
Total	53	21	0	0	74	88	0	35	0	123	0	22	91	0	113	0	0	0	0	0	0	310	310
16:00	39	8	0	0	47	91	0	20	0	111	0	13	83	0	96	0	0	0	0	0	0	254	254
16:15	32	12	0	0	44	86	0	20	0	106	0	18	74	0	92	0	0	0	0	0	0	242	242
16:30	32	18	0	0	50	88	0	25	0	113	0	10	87	0	97	0	0	0	0	0	0	260	260
16:45	38	15	0	0	53	75	0	23	0	98	0	22	94	1	116	0	0	0	0	0	1	267	268
Total	141	53	0	0	194	340	0	88	0	428	0	63	338	1	401	0	0	0	0	0	1	1023	1024

All Traffic Data

(916) 771-8700
F (916) 786-2879

LAFAYETTE

File Name : 09-7331-021 HAPPY VALLEY-DEER HILL-F
Site Code : 00000000
Start Date : 09/03/2009
Page No : 2

Groups Printed- Unshifted

Start Time	HAPPY VALLEY RD. Southbound					DEER HILL RD. Westbound					HAPPY VALLEY RD. Northbound					Eastbound					Exclu. Total	Inclu. Total	Int. Total	
	Left	Thru	Right	Peds	App. Total	Left	Thru	Right	Peds	App. Total	Left	Thru	Right	Peds	App. Total	Left	Thru	Right	Peds	App. Total				
17:00	48	19	0	0	67	73	0	20	0	93	0	23	113	0	136	0	0	0	0	0	0	0	296	296
17:15	42	8	0	0	50	87	0	29	1	116	0	20	91	0	111	0	0	0	0	0	0	1	277	278
17:30	36	10	0	0	46	95	0	30	0	125	0	17	92	0	109	0	0	0	0	0	0	0	280	280
17:45	41	24	0	0	65	95	0	27	0	122	0	16	94	0	110	0	0	0	0	0	0	0	297	297
Total	167	61	0	0	228	350	0	106	1	456	0	76	390	0	466	0	0	0	0	0	0	1	1150	1151
Grand Total	1214	479	0	0	1693	2713	0	981	12	3694	0	469	2059	7	2528	0	0	0	0	0	0	19	7915	7934
Apprch %	71.7	28.3	0			73.4	0	26.6			0	18.6	81.4			0	0	0						
Total %	15.3	6.1	0		21.4	34.3	0	12.4		46.7	0	5.9	26		31.9	0	0	0			0	0.2	99.8	

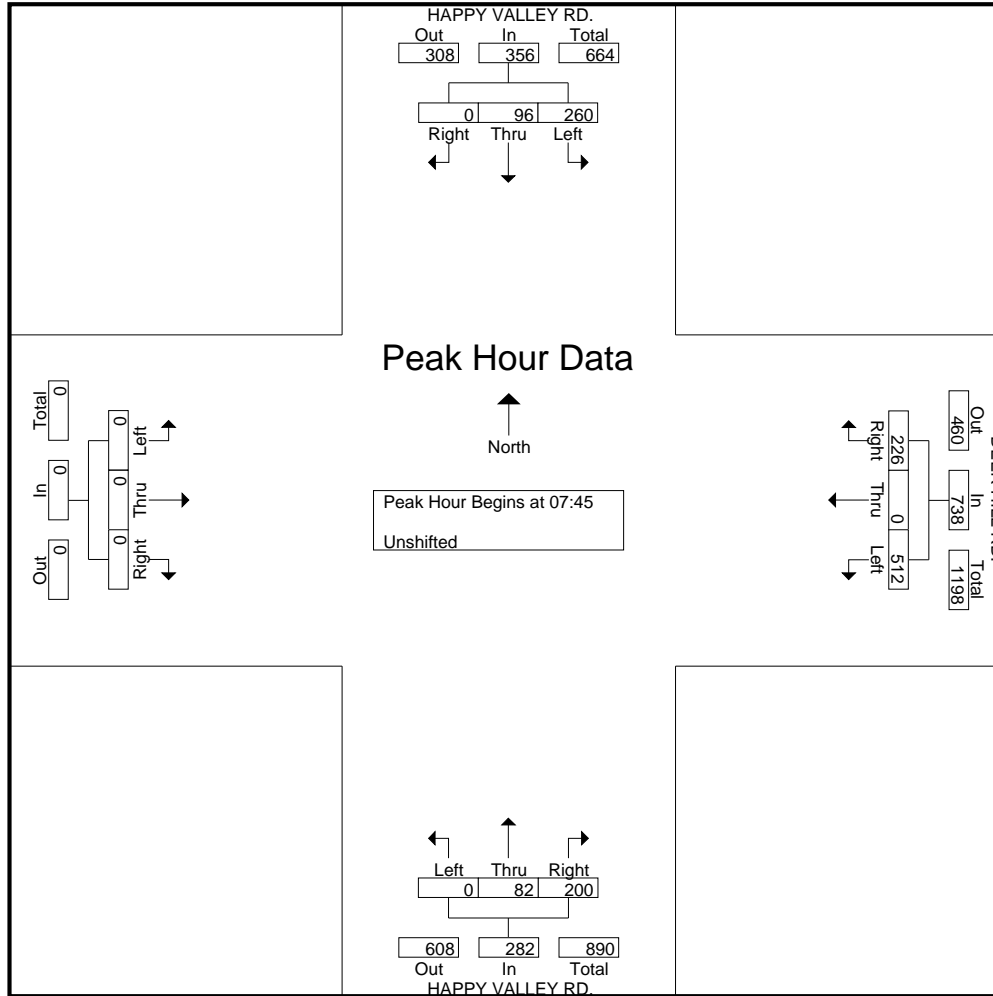
Start Time	HAPPY VALLEY RD. Southbound					DEER HILL RD. Westbound					HAPPY VALLEY RD. Northbound					Eastbound					Int. Total		
	Left	Thru	Right	Peds	App. Total	Left	Thru	Right	Peds	App. Total	Left	Thru	Right	Peds	App. Total	Left	Thru	Right	Peds	App. Total			
Peak Hour Analysis From 07:00 to 08:45 - Peak 1 of 1																							
Peak Hour for Entire Intersection Begins at 07:45																							
07:45	61	19	0		80	110	0	37		147	0	8	58		66	0	0	0		0		0	293
08:00	58	15	0		73	146	0	74		220	0	32	51	83	0	0	0		0		0	376	
08:15	77	27	0		104	130	0	80		210	0	31	48	79	0	0	0		0		0	393	
08:30	64	35	0		99	126	0	35		161	0	11	43	54	0	0	0		0		0	314	
Total Volume	260	96	0		356	512	0	226		738	0	82	200	282	0	0	0		0		0	1376	
% App. Total	73	27	0			69.4	0	30.6			0	29.1	70.9		0	0	0		0		0		
PHF	.844	.686	.000		.856	.877	.000	.706		.839	.000	.641	.862	.849	.000	.000	.000		.000		.000	.875	

All Traffic Data

(916) 771-8700
F (916) 786-2879

LAFAYETTE

File Name : 09-7331-021 HAPPY VALLEY-DEER HILL-F
Site Code : 00000000
Start Date : 09/03/2009
Page No : 3



Peak Hour Analysis From 11:45 to 15:00 - Peak 1 of 1
Peak Hour for Entire Intersection Begins at 14:15

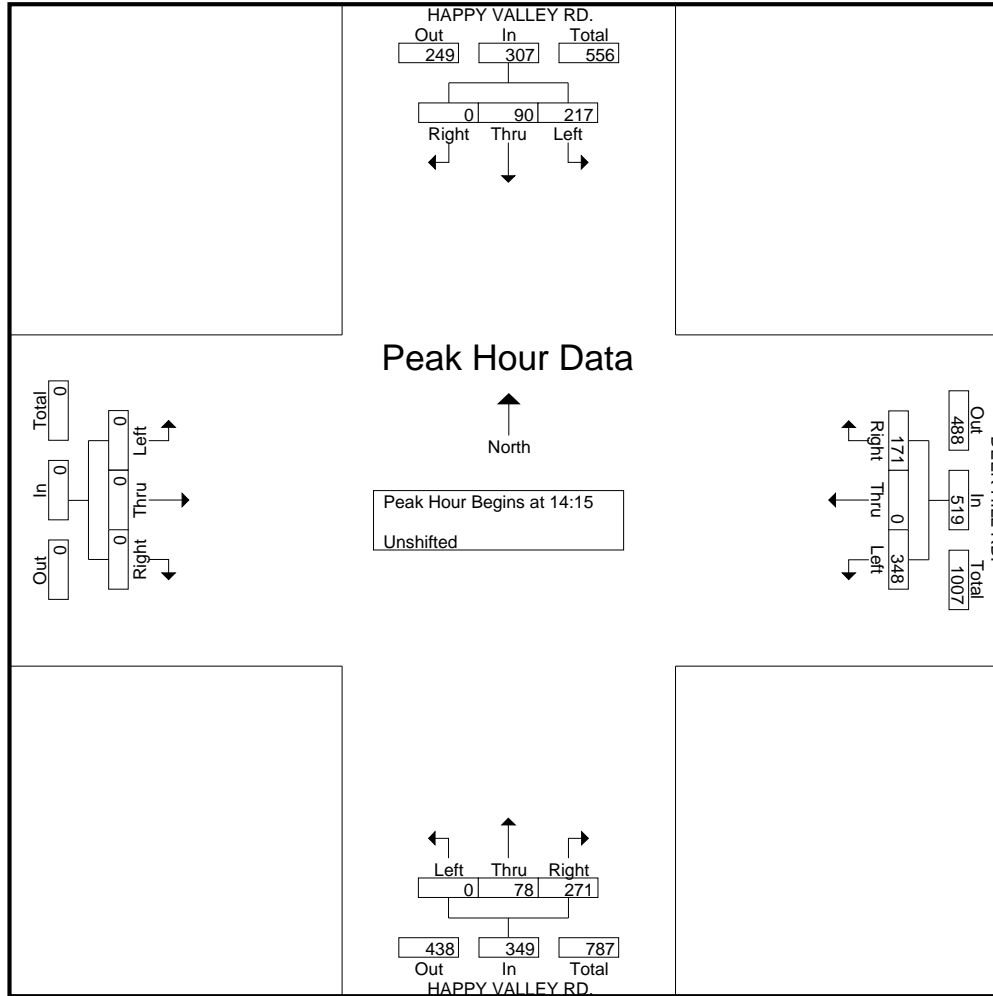
14:15	38	12	0	50	80	0	54	134	0	22	60	82	0	0	0	0	266
14:30	68	26	0	94	87	0	41	128	0	17	58	75	0	0	0	0	297
14:45	58	31	0	89	93	0	41	134	0	17	62	79	0	0	0	0	302
15:00	53	21	0	74	88	0	35	123	0	22	91	113	0	0	0	0	310
Total Volume	217	90	0	307	348	0	171	519	0	78	271	349	0	0	0	0	1175
% App. Total	70.7	29.3	0	67.1	67.1	0	32.9	32.9	0	22.3	77.7	77.7	0	0	0	0	
PHF	.798	.726	.000	.816	.935	.000	.792	.968	.000	.886	.745	.772	.000	.000	.000	.000	.948

All Traffic Data

(916) 771-8700
F (916) 786-2879

LAFAYETTE

File Name : 09-7331-021 HAPPY VALLEY-DEER HILL-F
Site Code : 00000000
Start Date : 09/03/2009
Page No : 4



Peak Hour Analysis From 16:00 to 17:45 - Peak 1 of 1
Peak Hour for Entire Intersection Begins at 17:00

17:00	48	19	0	67	73	0	20	93	0	23	113	136	0	0	0	0	296
17:15	42	8	0	50	87	0	29	116	0	20	91	111	0	0	0	0	277
17:30	36	10	0	46	95	0	30	125	0	17	92	109	0	0	0	0	280
17:45	41	24	0	65	95	0	27	122	0	16	94	110	0	0	0	0	297
Total Volume	167	61	0	228	350	0	106	456	0	76	390	466	0	0	0	0	1150
% App. Total	73.2	26.8	0	76.8	76.8	0	23.2	23.2	0	16.3	83.7	83.7	0	0	0	0	
PHF	.870	.635	.000	.851	.921	.000	.883	.912	.000	.826	.863	.857	.000	.000	.000	.000	.968

All Traffic Data

(916) 771-8700
F (916) 786-2879

LAFAYETTE

File Name : 09-7331-021 HAPPY VALLEY-DEER HILL-F
Site Code : 00000000
Start Date : 09/03/2009
Page No : 5

