

# All Traffic Data

(916) 771-8700  
F (916) 786-2879

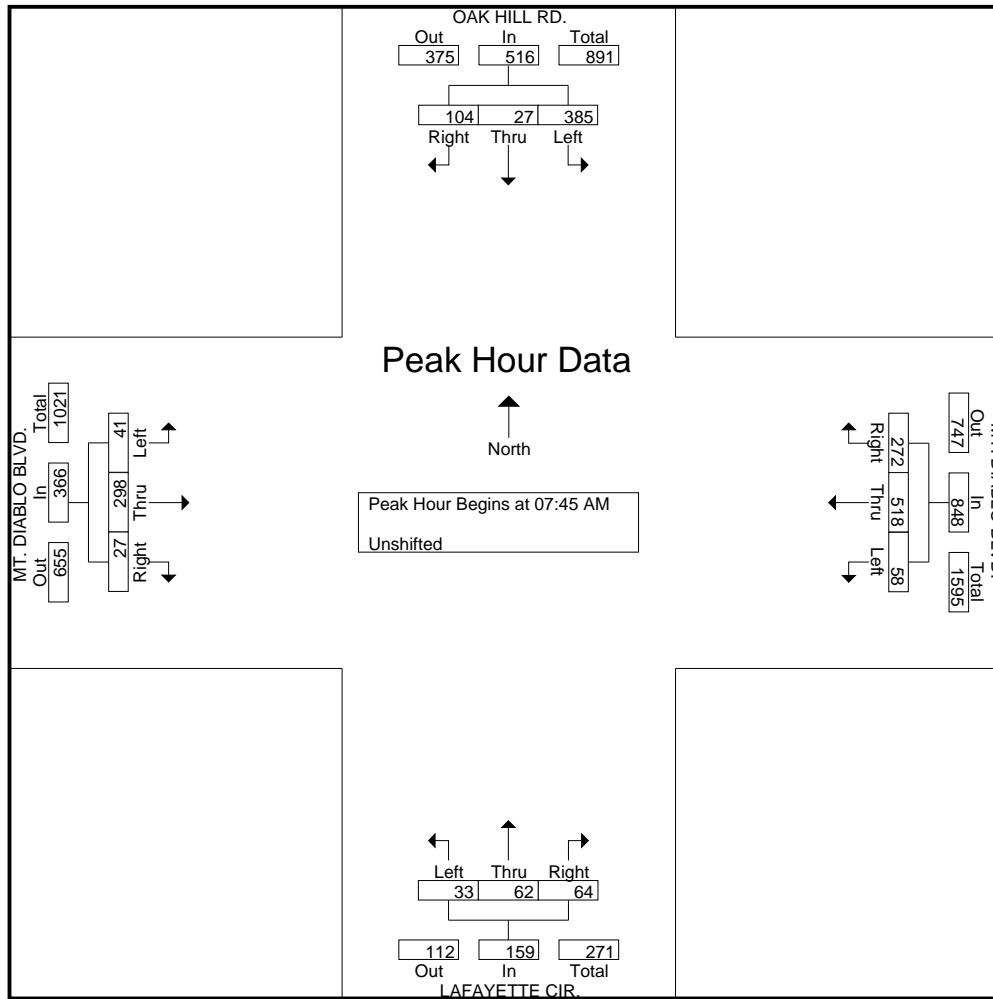
SAN FRANCISCO

File Name : 08-7280-021 OAK HILL-LAFAYETTE-F  
Site Code : 00000000  
Start Date : 05/15/2008  
Page No : 1

### Groups Printed- Unshifted

Start Time	OAK HILL RD. Southbound					MT. DIABLO BLVD. Westbound					LAFAYETTE CIR. Northbound					MT. DIABLO BLVD. Eastbound					Exclu. Total	Inclu. Total	Int. Total
	Left	Thru	Right	Peds	App. Total	Left	Thru	Right	Peds	App. Total	Left	Thru	Right	Peds	App. Total	Left	Thru	Right	Peds	App. Total			
07:00 AM	45	3	17	5	65	4	61	51	1	116	3	6	13	12	22	4	62	5	3	71	21	274	295
07:15 AM	70	10	14	4	94	10	82	57	1	149	6	12	11	16	29	6	61	10	5	77	26	349	375
07:30 AM	92	4	18	14	114	9	88	62	3	159	3	18	17	12	38	8	61	2	0	71	29	382	411
07:45 AM	106	6	21	10	133	4	115	66	5	185	7	16	18	3	41	10	77	7	6	94	24	453	477
<b>Total</b>	313	23	70	33	406	27	346	236	10	609	19	52	59	43	130	28	261	24	14	313	100	1458	1558
08:00 AM	99	2	29	3	130	19	136	78	1	233	8	13	12	12	33	11	74	3	1	88	17	484	501
08:15 AM	86	13	26	2	125	16	134	66	0	216	10	13	17	11	40	11	74	8	7	93	20	474	494
08:30 AM	94	6	28	6	128	19	133	62	3	214	8	20	17	14	45	9	73	9	2	91	25	478	503
08:45 AM	94	5	29	11	128	21	114	48	3	183	12	14	11	11	37	12	72	5	5	89	30	437	467
<b>Total</b>	373	26	112	22	511	75	517	254	7	846	38	60	57	48	155	43	293	25	15	361	92	1873	1965
*** BREAK ***																							
04:00 PM	94	28	30	7	152	15	121	26	2	162	10	17	39	6	66	39	132	3	1	174	16	554	570
04:15 PM	82	28	32	9	142	15	98	36	6	149	13	13	25	6	51	25	139	6	3	170	24	512	536
04:30 PM	88	20	27	4	135	20	112	29	1	161	13	11	25	5	49	40	143	5	3	188	13	533	546
04:45 PM	76	23	23	10	122	17	113	31	3	161	11	21	31	12	63	25	133	5	7	163	32	509	541
<b>Total</b>	340	99	112	30	551	67	444	122	12	633	47	62	120	29	229	129	547	19	14	695	85	2108	2193
05:00 PM	97	21	31	1	149	10	121	42	0	173	12	14	36	9	62	30	183	8	4	221	14	605	619
05:15 PM	112	19	37	3	168	22	114	31	1	167	9	20	25	10	54	33	140	11	6	184	20	573	593
05:30 PM	121	13	35	10	169	24	115	33	7	172	7	15	29	11	51	25	158	10	4	193	32	585	617
05:45 PM	101	26	42	9	169	19	117	36	8	172	5	19	34	14	58	20	144	10	9	174	40	573	613
<b>Total</b>	431	79	145	23	655	75	467	142	16	684	33	68	124	44	225	108	625	39	23	772	106	2336	2442
Grand Total	1457	227	439	108	2123	244	1774	754	45	2772	137	242	360	164	739	308	1726	107	66	2141	383	7775	8158
Apprch %	68.6	10.7	20.7			8.8	64	27.2			18.5	32.7	48.7			14.4	80.6	5					
Total %	18.7	2.9	5.6		27.3	3.1	22.8	9.7		35.7	1.8	3.1	4.6		9.5	4	22.2	1.4		27.5	4.7	95.3	

Start Time	OAK HILL RD. Southbound				MT. DIABLO BLVD. Westbound				LAFAYETTE CIR. Northbound				MT. DIABLO BLVD. Eastbound				Int. Total
	Left	Thru	Right	App. Total	Left	Thru	Right	App. Total	Left	Thru	Right	App. Total	Left	Thru	Right	App. Total	
Peak Hour Analysis From 07:00 AM to 08:45 AM - Peak 1 of 1																	
Peak Hour for Entire Intersection Begins at 07:45 AM																	
07:45 AM	106	6	21	133	4	115	66	185	7	16	18	41	10	77	7	94	453
08:00 AM	99	2	29	130	19	136	78	233	8	13	12	33	11	74	3	88	484
08:15 AM	86	13	26	125	16	134	66	216	10	13	17	40	11	74	8	93	474
08:30 AM	94	6	28	128	19	133	62	214	8	20	17	45	9	73	9	91	478
Total Volume	385	27	104	516	58	518	272	848	33	62	64	159	41	298	27	366	1889
% App. Total	74.6	5.2	20.2		6.8	61.1	32.1		20.8	39	40.3		11.2	81.4	7.4		



Peak Hour Analysis From 04:00 PM to 05:45 PM - Peak 1 of 1

Peak Hour for Entire Intersection Begins at 05:00 PM

05:00 PM	97	21	31	149	10	<b>121</b>	<b>42</b>	<b>173</b>	<b>12</b>	14	<b>36</b>	<b>62</b>	30	<b>183</b>	8	<b>221</b>	<b>605</b>
05:15 PM	112	19	37	168	22	114	31	167	9	<b>20</b>	25	54	<b>33</b>	140	<b>11</b>	184	573
05:30 PM	<b>121</b>	<b>13</b>	<b>35</b>	<b>169</b>	<b>24</b>	115	33	172	7	15	29	51	25	158	10	193	585
05:45 PM	101	<b>26</b>	<b>42</b>	169	19	117	36	172	5	19	34	58	20	144	10	174	573
Total Volume	431	79	145	655	75	467	142	684	33	68	124	225	108	625	39	772	2336
% App. Total	65.8	12.1	22.1		11	68.3	20.8		14.7	30.2	55.1		14	81	5.1		
PHF	.890	.760	.863	.969	.781	.965	.845	.988	.688	.850	.861	.907	.818	.854	.886	.873	.965

# All Traffic Data

(916) 771-8700  
F (916) 786-2879

SAN FRANCISCO

File Name : 08-7280-021 OAK HILL-LAFAYETTE-F  
Site Code : 00000000  
Start Date : 05/15/2008  
Page No : 3

