

All Traffic Data

(916) 771-8700
F (916) 786-2879

SACRAMENTO

File Name : 08-7280-022 FIRST-MT DIABLO-F
Site Code : 00000000
Start Date : 05/15/2008
Page No : 1

Groups Printed- Unshifted

Start Time	FIRST ST. Southbound					MT. DIABLO BLVD. Westbound					FIRST ST. Northbound					MT. DIABLO BLVD. Eastbound					Int. Total
	Left	Thru	Right	Peds	App. Total	Left	Thru	Right	Peds	App. Total	Left	Thru	Right	Peds	App. Total	Left	Thru	Right	Peds	App. Total	
07:00 AM	12	6	89	1	108	0	41	42	1	84	0	4	2	2	8	135	49	2	0	186	386
07:15 AM	9	12	101	4	126	3	53	58	2	116	2	2	1	1	6	143	61	2	0	206	454
07:30 AM	13	5	106	2	126	3	72	49	0	124	3	5	10	3	21	190	53	0	1	244	515
07:45 AM	25	22	159	4	210	4	97	82	0	183	5	10	1	2	18	208	71	8	3	290	701
Total	59	45	455	11	570	10	263	231	3	507	10	21	14	8	53	676	234	12	4	926	2056
08:00 AM	29	38	122	7	196	3	97	71	0	171	8	16	5	2	31	210	63	3	1	277	675
08:15 AM	30	19	126	6	181	3	80	85	0	168	9	7	1	2	19	190	57	1	3	251	619
08:30 AM	27	14	143	2	186	3	85	74	1	163	5	9	1	4	19	204	69	0	1	274	642
08:45 AM	27	16	148	7	198	4	94	86	1	185	4	6	0	3	13	203	75	2	3	283	679
Total	113	87	539	22	761	13	356	316	2	687	26	38	7	11	82	807	264	6	8	1085	2615

*** BREAK ***

04:00 PM	36	19	124	8	187	6	119	70	1	196	12	6	1	2	21	204	92	5	0	301	705
04:15 PM	39	32	118	4	193	4	123	66	1	194	6	10	0	7	23	255	97	8	0	360	770
04:30 PM	29	19	80	3	131	4	159	77	0	240	5	11	3	3	22	247	108	4	0	359	752
04:45 PM	38	19	90	6	153	4	130	64	1	199	6	10	2	1	19	259	90	5	1	355	726
Total	142	89	412	21	664	18	531	277	3	829	29	37	6	13	85	965	387	22	1	1375	2953
05:00 PM	41	18	84	3	146	4	152	43	0	199	10	14	3	3	30	271	103	9	4	387	762
05:15 PM	32	25	86	4	147	3	147	40	0	190	6	15	1	0	22	269	91	4	2	366	725
05:30 PM	28	28	95	6	157	6	152	31	1	190	12	12	4	0	28	263	93	1	0	357	732
05:45 PM	35	25	93	8	161	2	128	37	1	168	18	11	3	5	37	221	95	5	0	321	687
Total	136	96	358	21	611	15	579	151	2	747	46	52	11	8	117	1024	382	19	6	1431	2906
Grand Total	450	317	1764	75	2606	56	1729	975	10	2770	111	148	38	40	337	3472	1267	59	19	4817	10530
Apprch %	17.3	12.2	67.7	2.9		2	62.4	35.2	0.4		32.9	43.9	11.3	11.9		72.1	26.3	1.2	0.4		
Total %	4.3	3	16.8	0.7	24.7	0.5	16.4	9.3	0.1	26.3	1.1	1.4	0.4	0.4	3.2	33	12	0.6	0.2	45.7	

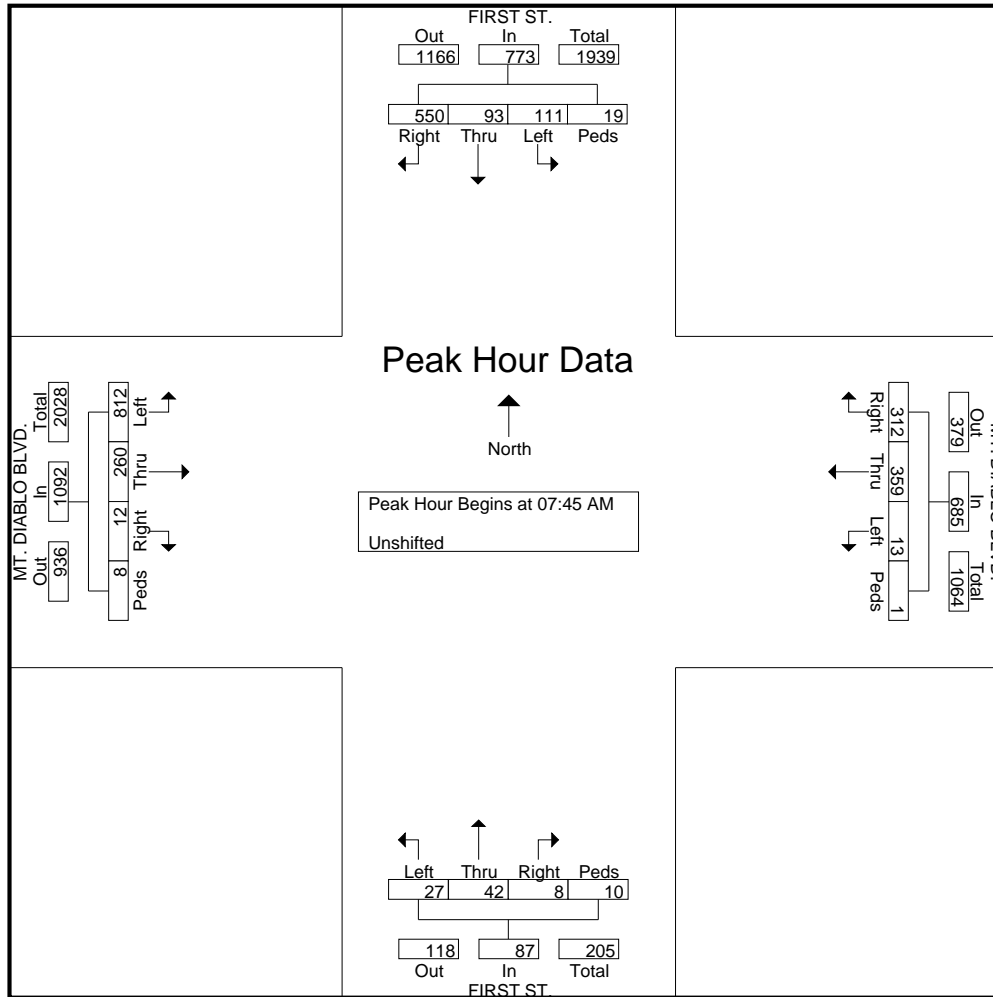
Start Time	FIRST ST. Southbound					MT. DIABLO BLVD. Westbound					FIRST ST. Northbound					MT. DIABLO BLVD. Eastbound					Int. Total
	Left	Thru	Right	Peds	App. Total	Left	Thru	Right	Peds	App. Total	Left	Thru	Right	Peds	App. Total	Left	Thru	Right	Peds	App. Total	

Peak Hour Analysis From 07:00 AM to 08:45 AM - Peak 1 of 1

Peak Hour for Entire Intersection Begins at 07:45 AM

07:45 AM	25	22	159	4	210	4	97	82	0	183	5	10	1	2	18	208	71	8	3	290	701
08:00 AM	29	38	122	7	196	3	97	71	0	171	8	16	5	2	31	210	63	3	1	277	675
08:15 AM	30	19	126	6	181	3	80	85	0	168	9	7	1	2	19	190	57	1	3	251	619
08:30 AM	27	14	143	2	186	3	85	74	1	163	5	9	1	4	19	204	69	0	1	274	642
Total Volume	111	93	550	19	773	13	359	312	1	685	27	42	8	10	87	812	260	12	8	1092	2637

PHF	.925	.612	.865	.679	.920	.813	.925	.918	.250	.936	.750	.656	.400	.625	.702	.967	.915	.375	.667	.941	.940
-----	------	------	------	------	------	------	------	------	------	------	------	------	------	------	------	------	------	------	------	------	------



Peak Hour Analysis From 04:00 PM to 05:45 PM - Peak 1 of 1
 Peak Hour for Entire Intersection Begins at 04:15 PM

04:15 PM	39	32	118	4	193	4	123	66	1	194	6	10	0	7	23	255	97	8	0	360	770
04:30 PM	29	19	80	3	131	4	159	77	0	240	5	11	3	3	22	247	108	4	0	359	752
04:45 PM	38	19	90	6	153	4	130	64	1	199	6	10	2	1	19	259	90	5	1	355	726
05:00 PM	41	18	84	3	146	4	152	43	0	199	10	14	3	3	30	271	103	9	4	387	762
Total Volume	147	88	372	16	623	16	564	250	2	832	27	45	8	14	94	1032	398	26	5	1461	3010
% App. Total	23.6	14.1	59.7	2.6		1.9	67.8	30	0.2		28.7	47.9	8.5	14.9		70.6	27.2	1.8	0.3		
PHF	.896	.688	.788	.667	.807	1.000	.887	.812	.500	.867	.675	.804	.667	.500	.783	.952	.921	.722	.313	.944	.977

All Traffic Data

(916) 771-8700
F (916) 786-2879

SACRAMENTO

File Name : 08-7280-022 FIRST-MT DIABLO-F
Site Code : 00000000
Start Date : 05/15/2008
Page No : 3

