

All Traffic Data

(916) 771-8700
F (916) 786-2879

LAFAYETTE

File Name : 08-7280-011 HAPPY VALLEY-MT DIABLO-F
Site Code : 00000000
Start Date : 05/15/2008
Page No : 1

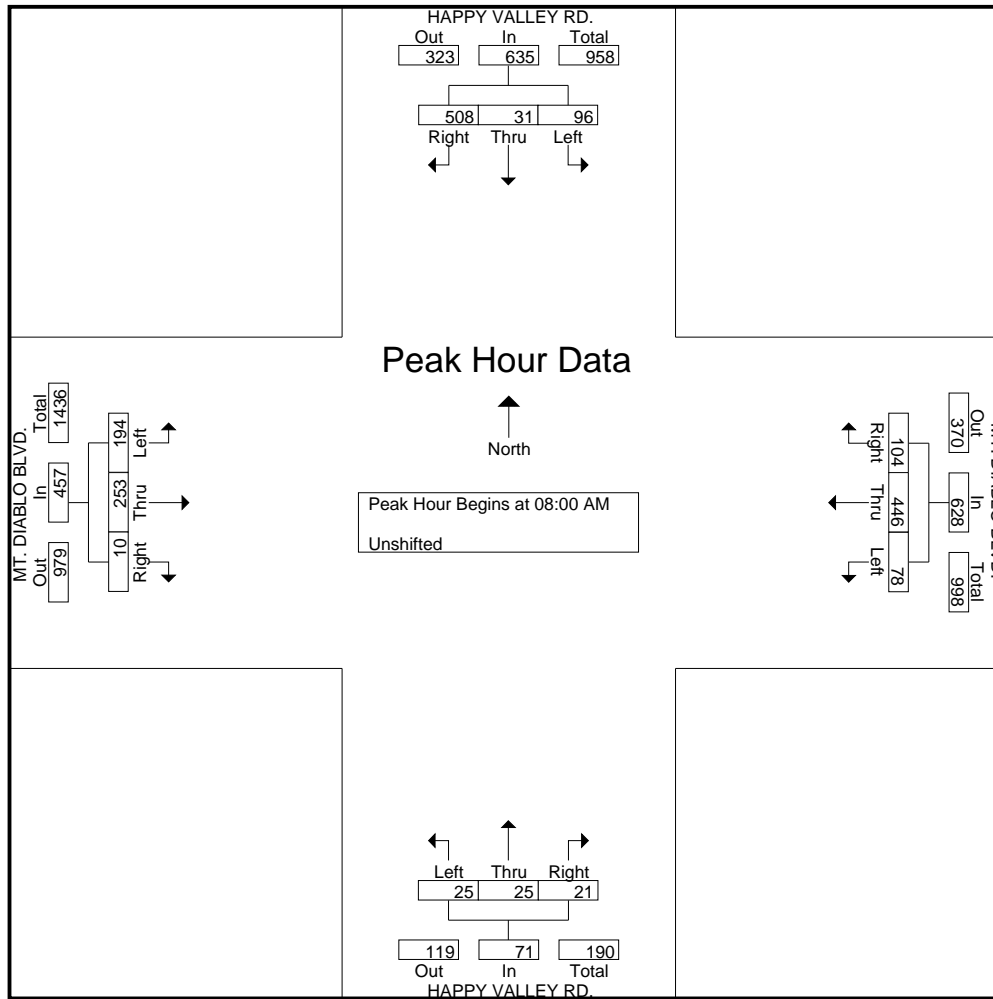
Groups Printed- Unshifted

Start Time	HAPPY VALLEY RD. Southbound					MT. DIABLO BLVD. Westbound					HAPPY VALLEY RD. Northbound					MT. DIABLO BLVD. Eastbound					Exclu. Total	Inclu. Total	Int. Total
	Left	Thru	Right	Peds	App. Total	Left	Thru	Right	Peds	App. Total	Left	Thru	Right	Peds	App. Total	Left	Thru	Right	Peds	App. Total			
07:00 AM	7	9	52	3	68	5	60	16	0	81	4	2	1	2	7	29	52	0	0	81	5	237	242
07:15 AM	12	10	45	1	67	9	62	15	0	86	5	5	3	0	13	29	51	1	3	81	4	247	251
07:30 AM	18	2	70	3	90	9	87	22	3	118	2	6	4	3	12	42	55	0	1	97	10	317	327
07:45 AM	20	9	86	7	115	9	102	29	3	140	3	1	1	5	5	41	79	1	0	121	15	381	396
Total	57	30	253	14	340	32	311	82	6	425	14	14	9	10	37	141	237	2	4	380	34	1182	1216
08:00 AM	18	9	122	3	149	16	114	36	2	166	5	7	8	4	20	44	54	1	2	99	11	434	445
08:15 AM	15	8	131	1	154	17	112	27	4	156	5	6	7	6	18	65	73	4	4	142	15	470	485
08:30 AM	31	1	120	1	152	25	116	20	0	161	10	10	4	3	24	50	64	4	1	118	5	455	460
08:45 AM	32	13	135	2	180	20	104	21	2	145	5	2	2	7	9	35	62	1	3	98	14	432	446
Total	96	31	508	7	635	78	446	104	8	628	25	25	21	20	71	194	253	10	10	457	45	1791	1836

*** BREAK ***

04:00 PM	26	14	48	5	88	39	87	15	6	141	11	9	5	4	25	86	114	8	0	208	15	462	477
04:15 PM	29	20	45	2	94	44	81	26	0	151	13	14	8	1	35	87	121	9	1	217	4	497	501
04:30 PM	43	17	52	1	112	39	84	29	0	152	9	15	6	1	30	86	135	3	0	224	2	518	520
04:45 PM	43	21	59	0	123	37	82	22	2	141	21	12	11	3	44	93	126	3	1	222	6	530	536
Total	141	72	204	8	417	159	334	92	8	585	54	50	30	9	134	352	496	23	2	871	27	2007	2034
05:00 PM	44	15	60	3	119	41	90	18	3	149	19	14	9	4	42	104	141	11	3	256	13	566	579
05:15 PM	47	21	56	6	124	42	85	24	2	151	12	17	16	9	45	99	134	6	6	239	23	559	582
05:30 PM	36	22	52	3	110	50	86	20	4	156	24	18	8	6	50	100	126	5	3	231	16	547	563
05:45 PM	37	22	51	3	110	40	82	16	1	138	17	15	6	2	38	82	124	9	1	215	7	501	508
Total	164	80	219	15	463	173	343	78	10	594	72	64	39	21	175	385	525	31	13	941	59	2173	2232
Grand Total	458	213	1184	44	1855	442	1434	356	32	2232	165	153	99	60	417	1072	1511	66	29	2649	165	7153	7318
Apprch %	24.7	11.5	63.8			19.8	64.2	15.9			39.6	36.7	23.7			40.5	57	2.5					
Total %	6.4	3	16.6		25.9	6.2	20	5		31.2	2.3	2.1	1.4		5.8	15	21.1	0.9		37	2.3	97.7	

Start Time	HAPPY VALLEY RD. Southbound				MT. DIABLO BLVD. Westbound				HAPPY VALLEY RD. Northbound				MT. DIABLO BLVD. Eastbound				Int. Total
	Left	Thru	Right	App. Total	Left	Thru	Right	App. Total	Left	Thru	Right	App. Total	Left	Thru	Right	App. Total	
Peak Hour Analysis From 07:00 AM to 08:45 AM - Peak 1 of 1																	
Peak Hour for Entire Intersection Begins at 08:00 AM																	
08:00 AM	18	9	122	149	16	114	36	166	5	7	8	20	44	54	1	99	434
08:15 AM	15	8	131	154	17	112	27	156	5	6	7	18	65	73	4	142	470
08:30 AM	31	1	120	152	25	116	20	161	10	10	4	24	50	64	4	118	455
08:45 AM	32	13	135	180	20	104	21	145	5	2	2	9	35	62	1	98	432
Total Volume	96	31	508	635	78	446	104	628	25	25	21	71	194	253	10	457	1791
% App. Total	15.1	4.9	80		12.4	71	16.6		35.2	35.2	29.6		42.5	55.4	2.2		



Peak Hour Analysis From 04:00 PM to 05:45 PM - Peak 1 of 1

Peak Hour for Entire Intersection Begins at 04:45 PM

04:45 PM	43	21	59	123	37	82	22	141	21	12	11	44	93	126	3	222	530
05:00 PM	44	15	60	119	41	90	18	149	19	14	9	42	104	141	11	256	566
05:15 PM	47	21	56	124	42	85	24	151	12	17	16	45	99	134	6	239	559
05:30 PM	36	22	52	110	50	86	20	156	24	18	8	50	100	126	5	231	547
Total Volume	170	79	227	476	170	343	84	597	76	61	44	181	396	527	25	948	2202
% App. Total	35.7	16.6	47.7		28.5	57.5	14.1		42	33.7	24.3		41.8	55.6	2.6		
PHF	.904	.898	.946	.960	.850	.953	.875	.957	.792	.847	.688	.905	.952	.934	.568	.926	.973

All Traffic Data

(916) 771-8700
F (916) 786-2879

LAFAYETTE

File Name : 08-7280-011 HAPPY VALLEY-MT DIABLO-F
Site Code : 00000000
Start Date : 05/15/2008
Page No : 3

