

All Traffic Data

(916) 771-8700
F (916) 786-2879

LAFAYETTE

File Name : 08-7280-016 MORAGA-MT DIABLO-F
Site Code : 00000000
Start Date : 05/15/2008
Page No : 1

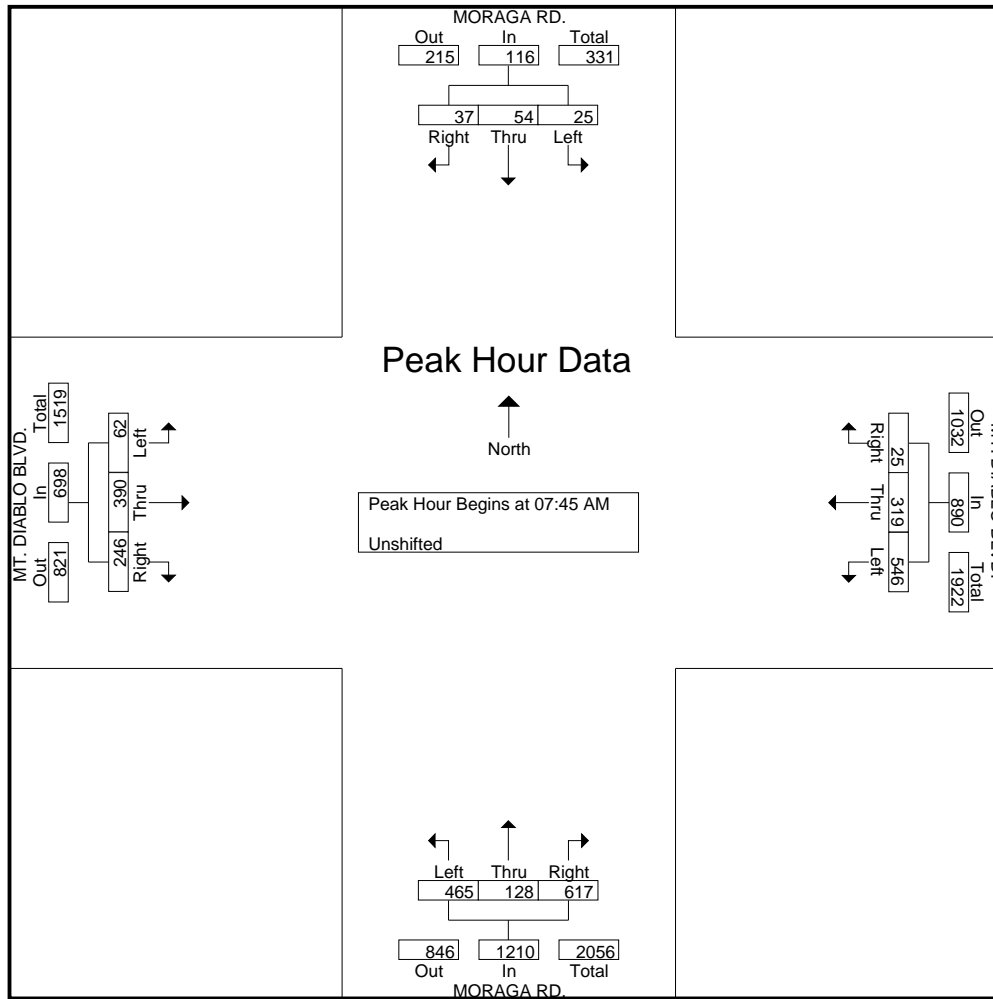
Groups Printed- Unshifted

Start Time	MORAGA RD. Southbound					MT. DIABLO BLVD. Westbound					MORAGA RD. Northbound					MT. DIABLO BLVD. Eastbound					Exclu. Total	Inclu. Total	Int. Total
	Left	Thru	Right	Peds	App. Total	Left	Thru	Right	Peds	App. Total	Left	Thru	Right	Peds	App. Total	Left	Thru	Right	Peds	App. Total			
07:00 AM	3	12	10	1	25	88	40	5	4	133	68	13	119	0	200	10	66	37	0	113	5	471	476
07:15 AM	6	9	9	8	24	101	47	8	5	156	92	25	131	5	248	12	81	57	0	150	18	578	596
07:30 AM	3	13	6	7	22	108	69	2	4	179	91	12	153	1	256	11	84	58	1	153	13	610	623
07:45 AM	3	19	9	5	31	167	67	4	3	238	110	24	170	6	304	13	97	82	4	192	18	765	783
Total	15	53	34	21	102	464	223	19	16	706	361	74	573	12	1008	46	328	234	5	608	54	2424	2478
08:00 AM	7	13	10	4	30	133	81	7	1	221	127	39	142	6	308	15	100	48	0	163	11	722	733
08:15 AM	5	8	12	3	25	117	79	6	4	202	115	31	146	6	292	12	94	54	1	160	14	679	693
08:30 AM	10	14	6	4	30	129	92	8	4	229	113	34	159	3	306	22	99	62	2	183	13	748	761
08:45 AM	16	17	5	7	38	127	97	9	1	233	77	27	157	8	261	11	109	58	1	178	17	710	727
Total	38	52	33	18	123	506	349	30	10	885	432	131	604	23	1167	60	402	222	4	684	55	2859	2914
*** BREAK ***																							
04:00 PM	8	25	14	8	47	121	94	15	4	230	62	28	130	6	220	13	169	67	3	249	21	746	767
04:15 PM	13	24	11	5	48	131	72	14	2	217	62	24	176	4	262	25	162	61	5	248	16	775	791
04:30 PM	18	29	9	0	56	139	83	20	1	242	59	29	151	5	239	15	167	67	1	249	7	786	793
04:45 PM	18	37	13	6	68	138	80	10	1	228	75	29	158	5	262	18	175	66	2	259	14	817	831
Total	57	115	47	19	219	529	329	59	8	917	258	110	615	20	983	71	673	261	11	1005	58	3124	3182
05:00 PM	24	26	7	0	57	134	99	14	3	247	60	34	157	7	251	24	203	76	0	303	10	858	868
05:15 PM	23	37	10	1	70	161	85	16	2	262	63	26	145	6	234	17	192	88	3	297	12	863	875
05:30 PM	13	28	8	9	49	143	91	10	0	244	63	20	150	14	233	24	192	100	0	316	23	842	865
05:45 PM	21	31	10	7	62	163	99	10	6	272	64	26	132	4	222	16	147	96	3	259	20	815	835
Total	81	122	35	17	238	601	374	50	11	1025	250	106	584	31	940	81	734	360	6	1175	65	3378	3443
Grand Total	191	342	149	75	682	2100	1275	158	45	3533	1301	421	2376	86	4098	258	2137	1077	26	3472	232	11785	12017
Apprch %	28	50.1	21.8			59.4	36.1	4.5			31.7	10.3	58			7.4	61.5	31					
Total %	1.6	2.9	1.3		5.8	17.8	10.8	1.3		30	11	3.6	20.2		34.8	2.2	18.1	9.1		29.5	1.9	98.1	

Start Time	MORAGA RD. Southbound				MT. DIABLO BLVD. Westbound				MORAGA RD. Northbound				MT. DIABLO BLVD. Eastbound				Int. Total
	Left	Thru	Right	App. Total	Left	Thru	Right	App. Total	Left	Thru	Right	App. Total	Left	Thru	Right	App. Total	
07:45 AM	3	19	9	31	167	67	4	238	110	24	170	304	13	97	82	192	765
08:00 AM	7	13	10	30	133	81	7	221	127	39	142	308	15	100	48	163	722
08:15 AM	5	8	12	25	117	79	6	202	115	31	146	292	12	94	54	160	679
08:30 AM	10	14	6	30	129	92	8	229	113	34	159	306	22	99	62	183	748
Total Volume	25	54	37	116	546	319	25	890	465	128	617	1210	62	390	246	698	2914
% App. Total	21.6	46.6	31.9		61.3	35.8	2.8		38.4	10.6	51		8.9	55.9	35.2		

Peak Hour Analysis From 07:00 AM to 08:45 AM - Peak 1 of 1

Peak Hour for Entire Intersection Begins at 07:45 AM



Peak Hour Analysis From 04:00 PM to 05:45 PM - Peak 1 of 1

Peak Hour for Entire Intersection Begins at 04:45 PM

04:45 PM	18	37	13	68	138	80	10	228	75	29	158	262	18	175	66	259	817
05:00 PM	24	26	7	57	134	99	14	247	60	34	157	251	24	203	76	303	858
05:15 PM	23	37	10	70	161	85	16	262	63	26	145	234	17	192	88	297	863
05:30 PM	13	28	8	49	143	91	10	244	63	20	150	233	24	192	100	316	842
Total Volume	78	128	38	244	576	355	50	981	261	109	610	980	83	762	330	1175	3380
% App. Total	32	52.5	15.6		58.7	36.2	5.1		26.6	11.1	62.2		7.1	64.9	28.1		
PHF	.813	.865	.731	.871	.894	.896	.781	.936	.870	.801	.965	.935	.865	.938	.825	.930	.979

All Traffic Data

(916) 771-8700
F (916) 786-2879

LAFAYETTE

File Name : 08-7280-016 MORAGA-MT DIABLO-F
Site Code : 00000000
Start Date : 05/15/2008
Page No : 3

