

# All Traffic Data

(916) 771-8700  
F (916) 786-2879

LAFAYETTE

File Name : 09-7331-009 FIRST-MT DIABLO-F  
Site Code : 00000000  
Start Date : 09/02/2009  
Page No : 1

## Groups Printed- Unshifted

Start Time	FIRST ST. Southbound					MT. DIABLO BLVD. Westbound					FIRST ST. Northbound					MT. DIABLO BLVD. Eastbound					Exclu. Total	Inclu. Total	Int. Total
	Left	Thru	Right	Peds	App. Total	Left	Thru	Right	Peds	App. Total	Left	Thru	Right	Peds	App. Total	Left	Thru	Right	Peds	App. Total			
07:00	22	5	96	3	123	2	45	48	0	95	0	3	5	1	8	127	44	1	0	172	4	398	402
07:15	19	13	107	4	139	0	56	45	0	101	3	1	0	0	4	140	46	0	0	186	4	430	434
07:30	25	13	111	7	149	5	68	60	0	133	2	2	2	0	6	189	59	1	0	249	7	537	544
07:45	30	13	120	6	163	6	92	63	1	161	3	9	1	0	13	169	67	4	0	240	7	577	584
Total	96	44	434	20	574	13	261	216	1	490	8	15	8	1	31	625	216	6	0	847	22	1942	1964
08:00	25	25	129	1	179	6	77	57	1	140	3	4	0	0	7	169	74	3	1	246	3	572	575
08:15	28	27	130	4	185	7	107	59	0	173	3	7	1	1	11	163	84	2	4	249	9	618	627
08:30	24	35	141	5	200	8	82	51	0	141	3	6	2	1	11	162	96	2	16	260	22	612	634
08:45	29	41	150	11	220	3	113	49	0	165	5	8	2	2	15	166	111	3	10	280	23	680	703
Total	106	128	550	21	784	24	379	216	1	619	14	25	5	4	44	660	365	10	31	1035	57	2482	2539
*** BREAK ***																							
11:45	30	29	122	5	181	9	100	31	0	140	3	9	2	1	14	167	125	4	0	296	6	631	637
Total	30	29	122	5	181	9	100	31	0	140	3	9	2	1	14	167	125	4	0	296	6	631	637
12:00	26	31	139	7	196	6	104	39	1	149	12	12	4	2	28	189	129	7	5	325	15	698	713
12:15	29	33	124	2	186	5	110	45	6	160	6	16	5	4	27	170	104	8	4	282	16	655	671
12:30	26	36	137	6	199	7	115	45	1	167	6	13	3	0	22	162	116	4	9	282	16	670	686
12:45	30	24	122	5	176	9	107	44	0	160	9	11	6	0	26	159	132	2	5	293	10	655	665
Total	111	124	522	20	757	27	436	173	8	636	33	52	18	6	103	680	481	21	23	1182	57	2678	2735
13:00	24	21	125	4	170	4	120	53	2	177	10	10	3	0	23	172	150	4	2	326	8	696	704
13:15	24	15	131	9	170	3	107	46	0	156	11	13	3	0	27	168	122	4	3	294	12	647	659
13:30	26	24	137	2	187	3	104	41	10	148	10	12	4	3	26	157	133	5	3	295	18	656	674
13:45	26	16	125	1	167	3	101	36	1	140	9	10	5	1	24	161	136	1	5	298	8	629	637
Total	100	76	518	16	694	13	432	176	13	621	40	45	15	4	100	658	541	14	13	1213	46	2628	2674
14:00	25	25	139	6	189	3	101	50	0	154	8	16	3	1	27	191	132	2	0	325	7	695	702
14:15	40	37	150	4	227	2	115	39	5	156	9	10	5	1	24	167	118	2	5	287	15	694	709
14:30	29	25	145	8	199	4	113	47	0	164	11	12	0	2	23	184	134	5	1	323	11	709	720
14:45	27	42	166	4	235	5	100	43	1	148	5	13	6	0	24	180	121	5	2	306	7	713	720
Total	121	129	600	22	850	14	429	179	6	622	33	51	14	4	98	722	505	14	8	1241	40	2811	2851
15:00	38	29	132	8	199	9	120	40	0	169	15	22	3	3	40	190	141	5	20	336	31	744	775
*** BREAK ***																							
Total	38	29	132	8	199	9	120	40	0	169	15	22	3	3	40	190	141	5	20	336	31	744	775
16:00	27	25	149	5	201	1	89	43	0	133	9	10	3	0	22	212	134	4	4	350	9	706	715
16:15	31	45	146	4	222	3	106	46	0	155	12	12	3	2	27	186	130	6	7	322	13	726	739
16:30	27	22	146	0	195	2	89	43	3	134	6	16	1	3	23	188	163	2	3	353	9	705	714
16:45	44	17	161	10	222	7	92	47	0	146	7	11	3	0	21	183	131	3	2	317	12	706	718
Total	129	109	602	19	840	13	376	179	3	568	34	49	10	5	93	769	558	15	16	1342	43	2843	2886

# All Traffic Data

(916) 771-8700  
F (916) 786-2879

LAFAYETTE

File Name : 09-7331-009 FIRST-MT DIABLO-F  
Site Code : 00000000  
Start Date : 09/02/2009  
Page No : 2

### Groups Printed- Unshifted

Start Time	FIRST ST. Southbound					MT. DIABLO BLVD. Westbound					FIRST ST. Northbound					MT. DIABLO BLVD. Eastbound					Exclu. Total	Inclu. Total	Int. Total
	Left	Thru	Right	Peds	App. Total	Left	Thru	Right	Peds	App. Total	Left	Thru	Right	Peds	App. Total	Left	Thru	Right	Peds	App. Total			
17:00	30	30	140	3	200	2	109	41	1	152	5	12	4	3	21	196	138	6	6	340	13	713	726
17:15	28	35	144	11	207	3	89	39	2	131	8	12	5	2	25	187	114	7	1	308	16	671	687
17:30	36	29	163	6	228	3	78	55	0	136	9	7	1	0	17	189	126	5	2	320	8	701	709
17:45	31	29	160	4	220	7	94	52	1	153	1	12	2	2	15	170	102	3	2	275	9	663	672
Total	125	123	607	24	855	15	370	187	4	572	23	43	12	7	78	742	480	21	11	1243	46	2748	2794
Grand Total	856	791	4087	155	5734	137	2903	1397	36	4437	203	311	87	35	601	5213	3412	110	122	8735	348	19507	19855
Apprch %	14.9	13.8	71.3			3.1	65.4	31.5			33.8	51.7	14.5			59.7	39.1	1.3					
Total %	4.4	4.1	21		29.4	0.7	14.9	7.2		22.7	1	1.6	0.4		3.1	26.7	17.5	0.6		44.8	1.8	98.2	

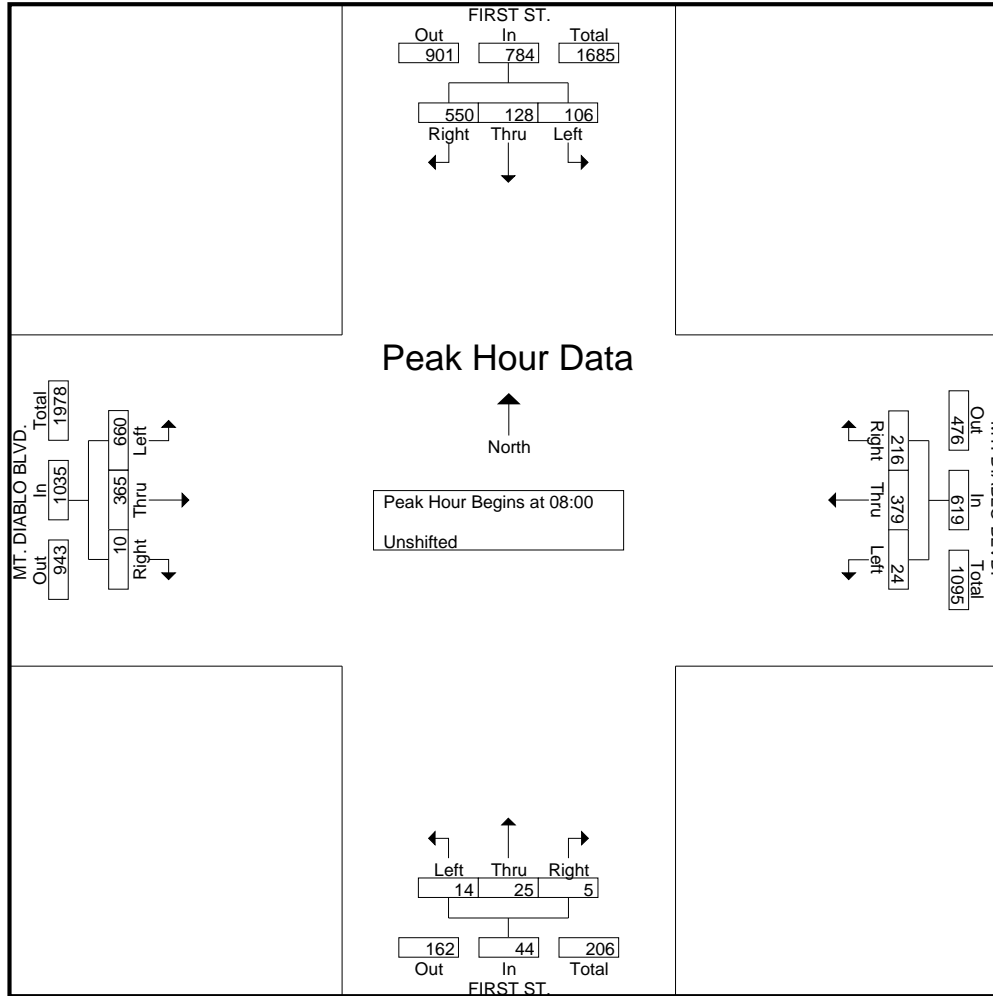
Start Time	FIRST ST. Southbound				MT. DIABLO BLVD. Westbound				FIRST ST. Northbound				MT. DIABLO BLVD. Eastbound				Int. Total
	Left	Thru	Right	App. Total	Left	Thru	Right	App. Total	Left	Thru	Right	App. Total	Left	Thru	Right	App. Total	
Peak Hour Analysis From 07:00 to 08:45 - Peak 1 of 1																	
Peak Hour for Entire Intersection Begins at 08:00																	
08:00	25	25	129	179	6	77	57	140	3	4	0	7	<b>169</b>	74	<b>3</b>	246	572
08:15	28	27	130	185	7	107	<b>59</b>	<b>173</b>	3	7	1	11	163	84	2	249	618
08:30	24	35	141	200	<b>8</b>	82	51	141	3	6	<b>2</b>	11	162	96	2	260	612
08:45	<b>29</b>	<b>41</b>	<b>150</b>	<b>220</b>	3	<b>113</b>	49	165	<b>5</b>	<b>8</b>	2	<b>15</b>	166	<b>111</b>	3	<b>280</b>	<b>680</b>
Total Volume	106	128	550	784	24	379	216	619	14	25	5	44	660	365	10	1035	2482
% App. Total	13.5	16.3	70.2		3.9	61.2	34.9		31.8	56.8	11.4		63.8	35.3	1		
PHF	.914	.780	.917	.891	.750	.838	.915	.895	.700	.781	.625	.733	.976	.822	.833	.924	.913

# All Traffic Data

(916) 771-8700  
F (916) 786-2879

LAFAYETTE

File Name : 09-7331-009 FIRST-MT DIABLO-F  
Site Code : 00000000  
Start Date : 09/02/2009  
Page No : 3



Peak Hour Analysis From 11:45 to 15:00 - Peak 1 of 1  
Peak Hour for Entire Intersection Begins at 14:15

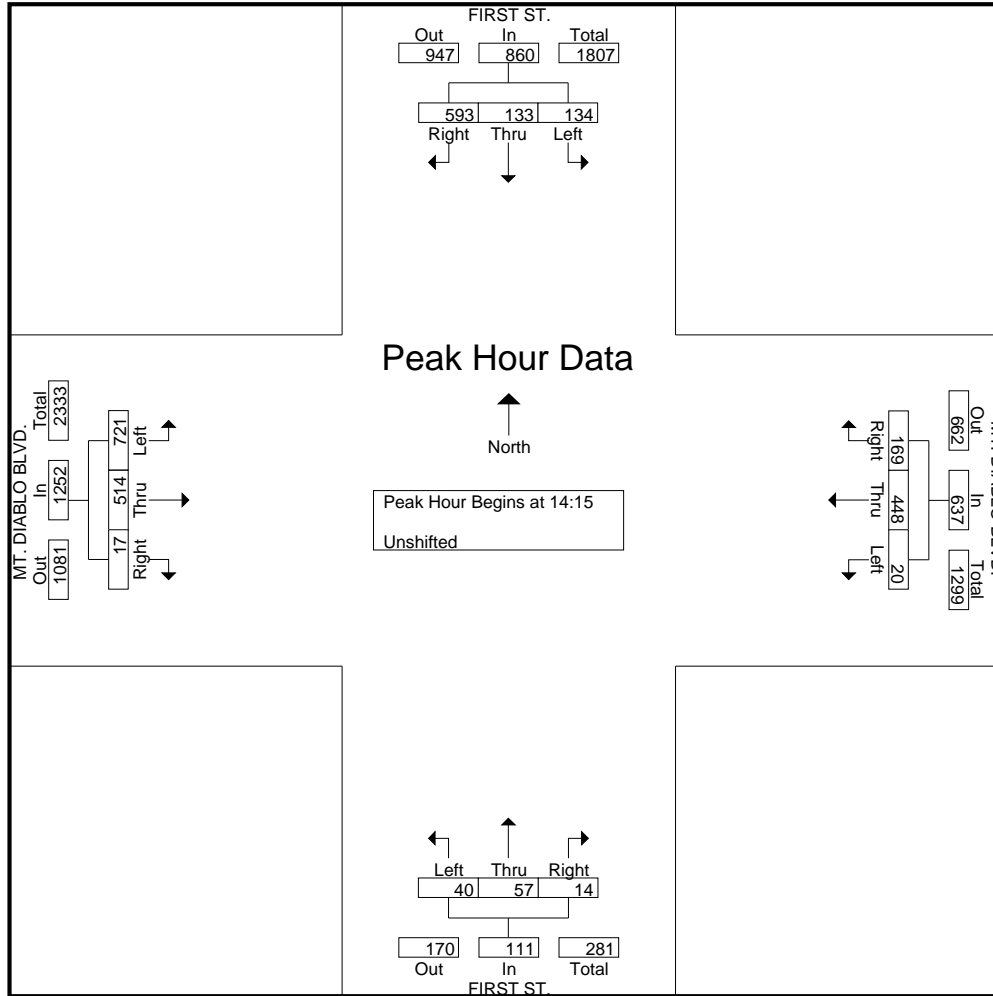
14:15	40	37	150	227	2	115	39	156	9	10	5	24	167	118	2	287	694
14:30	29	25	145	199	4	113	47	164	11	12	0	23	184	134	5	323	709
14:45	27	42	166	235	5	100	43	148	5	13	6	24	180	121	5	306	713
15:00	38	29	132	199	9	120	40	169	15	22	3	40	190	141	5	336	744
Total Volume	134	133	593	860	20	448	169	637	40	57	14	111	721	514	17	1252	2860
% App. Total	15.6	15.5	69		3.1	70.3	26.5		36	51.4	12.6		57.6	41.1	1.4		
PHF	.838	.792	.893	.915	.556	.933	.899	.942	.667	.648	.583	.694	.949	.911	.850	.932	.961

# All Traffic Data

(916) 771-8700  
F (916) 786-2879

LAFAYETTE

File Name : 09-7331-009 FIRST-MT DIABLO-F  
Site Code : 00000000  
Start Date : 09/02/2009  
Page No : 4



Peak Hour Analysis From 16:00 to 17:45 - Peak 1 of 1  
Peak Hour for Entire Intersection Begins at 16:15

16:15	31	<b>45</b>	146	<b>222</b>	3	106	46	<b>155</b>	<b>12</b>	12	3	<b>27</b>	186	130	<b>6</b>	322	<b>726</b>
16:30	27	22	146	195	2	89	43	134	6	<b>16</b>	1	23	188	<b>163</b>	2	<b>353</b>	705
16:45	<b>44</b>	17	<b>161</b>	222	<b>7</b>	92	<b>47</b>	146	7	11	3	21	183	131	3	317	706
17:00	30	30	140	200	2	<b>109</b>	41	152	5	12	<b>4</b>	21	<b>196</b>	138	6	340	713
Total Volume	132	114	593	839	14	396	177	587	30	51	11	92	753	562	17	1332	2850
% App. Total	15.7	13.6	70.7		2.4	67.5	30.2		32.6	55.4	12		56.5	42.2	1.3		
PHF	.750	.633	.921	.945	.500	.908	.941	.947	.625	.797	.688	.852	.960	.862	.708	.943	.981

# All Traffic Data

(916) 771-8700  
F (916) 786-2879

LAFAYETTE

File Name : 09-7331-009 FIRST-MT DIABLO-F  
Site Code : 00000000  
Start Date : 09/02/2009  
Page No : 5

