

All Traffic Data

(916) 771-8700
F (916) 786-2879

LAFAYETTE

File Name : 09-7331-008 MORAGA-MT DIABLO-F
Site Code : 00000000
Start Date : 09/02/2009
Page No : 1

Groups Printed- Unshifted

Start Time	MORAGA RD. Southbound					MT. DIABLO BLVD. Westbound					MORAGA RD. Northbound					MT. DIABLO BLVD. Eastbound					Exclu. Total	Inclu. Total	Int. Total
	Left	Thru	Right	Peds	App. Total	Left	Thru	Right	Peds	App. Total	Left	Thru	Right	Peds	App. Total	Left	Thru	Right	Peds	App. Total			
07:00	7	10	8	3	25	84	45	8	1	137	74	14	110	2	198	12	35	24	1	71	7	431	438
07:15	7	7	5	3	19	104	46	7	0	157	68	22	128	4	218	11	55	32	2	98	9	492	501
07:30	6	14	16	4	36	113	48	14	2	175	86	21	166	3	273	12	73	42	0	127	9	611	620
07:45	9	16	7	0	32	128	80	6	4	214	112	24	153	0	289	13	84	69	10	166	14	701	715
Total	29	47	36	10	112	429	219	35	7	683	340	81	557	9	978	48	247	167	13	462	39	2235	2274
08:00	12	16	9	2	37	125	70	5	17	200	89	32	121	7	242	21	98	53	3	172	29	651	680
08:15	9	17	3	7	29	126	99	11	47	236	90	25	140	8	255	12	103	51	7	166	69	686	755
08:30	11	23	7	2	41	127	85	6	52	218	126	35	159	4	320	16	113	42	17	171	75	750	825
08:45	11	13	8	6	32	156	99	12	27	267	107	32	167	17	306	28	111	75	6	214	56	819	875
Total	43	69	27	17	139	534	353	34	143	921	412	124	587	36	1123	77	425	221	33	723	229	2906	3135
*** BREAK ***																							
11:45	13	22	15	2	50	120	93	7	2	220	60	15	152	11	227	13	120	36	2	169	17	666	683
Total	13	22	15	2	50	120	93	7	2	220	60	15	152	11	227	13	120	36	2	169	17	666	683
12:00	16	11	7	4	34	120	108	26	3	254	59	24	148	3	231	29	164	42	2	235	12	754	766
12:15	13	17	7	2	37	114	124	15	3	253	52	29	125	2	206	30	155	49	4	234	11	730	741
12:30	14	15	7	7	36	102	122	12	14	236	53	21	132	6	206	31	161	69	4	261	31	739	770
12:45	17	17	17	5	51	112	94	12	4	218	68	25	143	16	236	19	142	60	3	221	28	726	754
Total	60	60	38	18	158	448	448	65	24	961	232	99	548	27	879	109	622	220	13	951	82	2949	3031
13:00	23	15	14	5	52	125	94	21	2	240	63	26	141	4	230	28	160	57	3	245	14	767	781
13:15	24	25	10	2	59	114	94	18	2	226	61	22	104	8	187	17	147	70	0	234	12	706	718
13:30	21	20	8	3	49	139	92	22	2	253	53	23	139	1	215	26	172	65	4	263	10	780	790
13:45	24	32	4	0	60	120	103	10	2	233	67	27	127	14	221	44	153	65	6	262	22	776	798
Total	92	92	36	10	220	498	383	71	8	952	244	98	511	27	853	115	632	257	13	1004	58	3029	3087
14:00	22	24	10	3	56	129	98	18	5	245	62	25	131	8	218	20	176	77	4	273	20	792	812
14:15	13	31	9	1	53	151	100	20	4	271	69	27	136	5	232	16	181	72	2	269	12	825	837
14:30	14	24	9	2	47	143	109	18	1	270	71	28	132	10	231	35	172	82	4	289	17	837	854
14:45	26	28	13	2	67	161	86	12	3	259	78	23	155	8	256	20	163	82	6	265	19	847	866
Total	75	107	41	8	223	584	393	68	13	1045	280	103	554	31	937	91	692	313	16	1096	68	3301	3369
15:00	15	15	13	1	43	169	84	20	10	273	88	29	157	14	274	25	190	86	3	301	28	891	919
*** BREAK ***																							
Total	15	15	13	1	43	169	84	20	10	273	88	29	157	14	274	25	190	86	3	301	28	891	919
16:00	8	34	10	4	52	139	94	12	6	245	75	24	160	10	259	41	151	85	4	277	24	833	857
16:15	33	22	11	1	66	151	82	28	4	261	59	30	158	5	247	28	154	74	4	256	14	830	844
16:30	25	25	7	3	57	169	95	9	6	273	58	32	161	3	251	30	180	74	5	284	17	865	882
16:45	19	29	18	3	66	146	90	16	2	252	48	29	138	3	215	19	161	101	4	281	12	814	826
Total	85	110	46	11	241	605	361	65	18	1031	240	115	617	21	972	118	646	334	17	1098	67	3342	3409

All Traffic Data

(916) 771-8700
F (916) 786-2879

LAFAYETTE

File Name : 09-7331-008 MORAGA-MT DIABLO-F
Site Code : 00000000
Start Date : 09/02/2009
Page No : 2

Groups Printed- Unshifted

Start Time	MORAGA RD. Southbound					MT. DIABLO BLVD. Westbound					MORAGA RD. Northbound					MT. DIABLO BLVD. Eastbound					Exclu. Total	Inclu. Total	Int. Total
	Left	Thru	Right	Peds	App. Total	Left	Thru	Right	Peds	App. Total	Left	Thru	Right	Peds	App. Total	Left	Thru	Right	Peds	App. Total			
17:00	19	23	9	3	51	164	81	11	6	256	51	21	162	0	234	25	194	70	1	289	10	830	840
17:15	13	29	8	3	50	160	72	13	7	245	52	24	149	5	225	31	169	98	5	298	20	818	838
17:30	27	25	14	7	66	176	67	20	6	263	56	14	135	1	205	47	149	93	2	289	16	823	839
17:45	24	22	17	1	63	184	71	7	1	262	68	16	122	6	206	21	115	104	2	240	10	771	781
Total	83	99	48	14	230	684	291	51	20	1026	227	75	568	12	870	124	627	365	10	1116	56	3242	3298
Grand Total	495	621	300	91	1416	4071	2625	416	245	7112	2123	739	4251	188	7113	720	4201	1999	120	6920	644	22561	23205
Apprch %	35	43.9	21.2			57.2	36.9	5.8			29.8	10.4	59.8			10.4	60.7	28.9					
Total %	2.2	2.8	1.3		6.3	18	11.6	1.8		31.5	9.4	3.3	18.8		31.5	3.2	18.6	8.9		30.7	2.8	97.2	

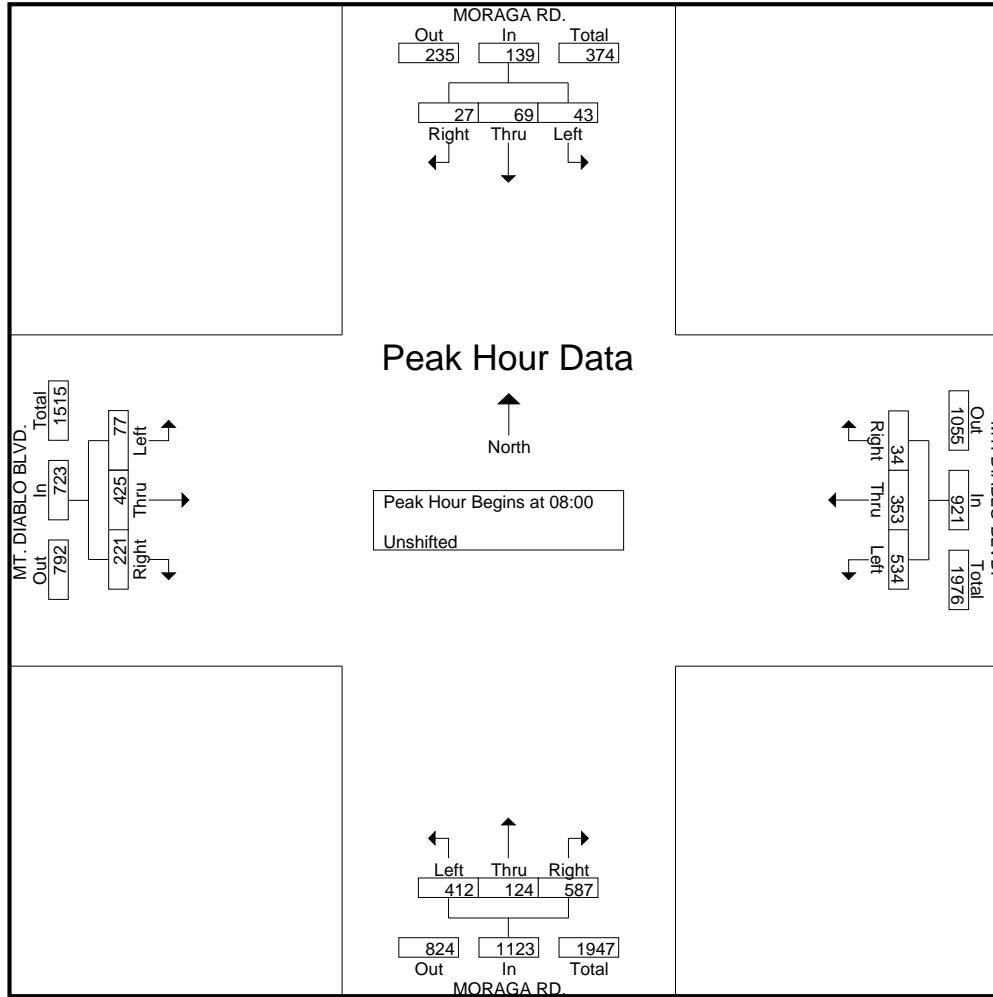
Start Time	MORAGA RD. Southbound				MT. DIABLO BLVD. Westbound				MORAGA RD. Northbound				MT. DIABLO BLVD. Eastbound				Int. Total
	Left	Thru	Right	App. Total	Left	Thru	Right	App. Total	Left	Thru	Right	App. Total	Left	Thru	Right	App. Total	
Peak Hour Analysis From 07:00 to 08:45 - Peak 1 of 1																	
Peak Hour for Entire Intersection Begins at 08:00																	
08:00	12	16	9	37	125	70	5	200	89	32	121	242	21	98	53	172	651
08:15	9	17	3	29	126	99	11	236	90	25	140	255	12	103	51	166	686
08:30	11	23	7	41	127	85	6	218	126	35	159	320	16	113	42	171	750
08:45	11	13	8	32	156	99	12	267	107	32	167	306	28	111	75	214	819
Total Volume	43	69	27	139	534	353	34	921	412	124	587	1123	77	425	221	723	2906
% App. Total	30.9	49.6	19.4		58	38.3	3.7		36.7	11	52.3		10.7	58.8	30.6		
PHF	.896	.750	.750	.848	.856	.891	.708	.862	.817	.886	.879	.877	.688	.940	.737	.845	.887

All Traffic Data

(916) 771-8700
F (916) 786-2879

LAFAYETTE

File Name : 09-7331-008 MORAGA-MT DIABLO-F
Site Code : 00000000
Start Date : 09/02/2009
Page No : 3



Peak Hour Analysis From 11:45 to 15:00 - Peak 1 of 1
Peak Hour for Entire Intersection Begins at 14:15

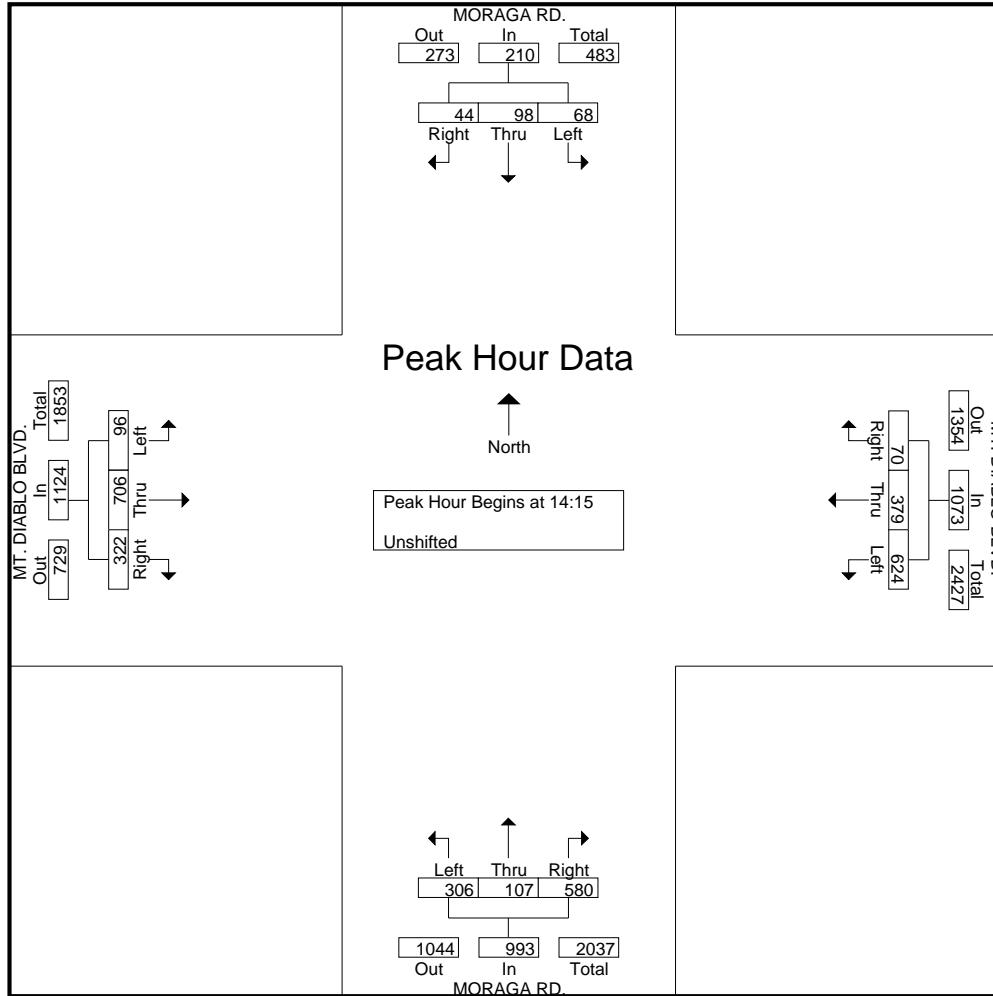
14:15	13	31	9	53	151	100	20	271	69	27	136	232	16	181	72	269	825
14:30	14	24	9	47	143	109	18	270	71	28	132	231	35	172	82	289	837
14:45	26	28	13	67	161	86	12	259	78	23	155	256	20	163	82	265	847
15:00	15	15	13	43	169	84	20	273	88	29	157	274	25	190	86	301	891
Total Volume	68	98	44	210	624	379	70	1073	306	107	580	993	96	706	322	1124	3400
% App. Total	32.4	46.7	21	58.2	35.3	6.5	30.8	10.8	58.4	8.5	62.8	28.6	8.5	62.8	28.6	9.34	.954
PHF	.654	.790	.846	.784	.923	.869	.875	.983	.869	.922	.924	.906	.686	.929	.936	.934	.954

All Traffic Data

(916) 771-8700
F (916) 786-2879

LAFAYETTE

File Name : 09-7331-008 MORAGA-MT DIABLO-F
Site Code : 00000000
Start Date : 09/02/2009
Page No : 4



Peak Hour Analysis From 16:00 to 17:45 - Peak 1 of 1
Peak Hour for Entire Intersection Begins at 16:00

16:00	8	34	10	52	139	94	12	245	75	24	160	259	41	151	85	277	833
16:15	33	22	11	66	151	82	28	261	59	30	158	247	28	154	74	256	830
16:30	25	25	7	57	169	95	9	273	58	32	161	251	30	180	74	284	865
16:45	19	29	18	66	146	90	16	252	48	29	138	215	19	161	101	281	814
Total Volume	85	110	46	241	605	361	65	1031	240	115	617	972	118	646	334	1098	3342
% App. Total	35.3	45.6	19.1	58.7	35	6.3	24.7	11.8	63.5	10.7	58.8	30.4					
PHF	.644	.809	.639	.913	.895	.950	.580	.944	.800	.898	.958	.938	.720	.897	.827	.967	.966

All Traffic Data

(916) 771-8700
F (916) 786-2879

LAFAYETTE

File Name : 09-7331-008 MORAGA-MT DIABLO-F
Site Code : 00000000
Start Date : 09/02/2009
Page No : 5

