

# All Traffic Data

(916) 771-8700  
F (916) 786-2879

LAFAYETTE

File Name : 09-7331-007 OAK HILL-MT DIABLO-F  
Site Code : 00000000  
Start Date : 09/03/2009  
Page No : 1

## Groups Printed- Unshifted

Start Time	OAKHILL RD. Southbound					MT. DIABLO BLVD. Westbound					LAFAYETTE CIRCLE EAST Northbound					MT. DIABLO BLVD. Eastbound					Exclu. Total	Inclu. Total	Int. Total
	Left	Thru	Right	Peds	App. Total	Left	Thru	Right	Peds	App. Total	Left	Thru	Right	Peds	App. Total	Left	Thru	Right	Peds	App. Total			
07:00	43	10	13	3	66	11	55	64	1	130	1	8	12	3	21	5	46	5	1	56	8	273	281
07:15	56	14	16	3	86	6	51	51	1	108	5	8	11	13	24	6	47	1	6	54	23	272	295
07:30	77	15	21	7	113	5	74	70	4	149	3	10	13	13	26	8	54	1	8	63	32	351	383
07:45	102	17	27	8	146	10	116	68	1	194	6	15	11	6	32	5	58	4	4	67	19	439	458
Total	278	56	77	21	411	32	296	253	7	581	15	41	47	35	103	24	205	11	19	240	82	1335	1417
08:00	86	20	26	7	132	19	107	56	1	182	4	17	14	4	35	8	81	11	4	100	16	449	465
08:15	82	34	34	5	150	10	126	67	2	203	5	13	15	13	33	10	79	6	5	95	25	481	506
08:30	78	22	48	10	148	10	146	57	5	213	5	13	14	17	32	14	76	11	3	101	35	494	529
08:45	67	34	36	6	137	16	154	52	1	222	10	19	34	11	63	8	108	4	1	120	19	542	561
Total	313	110	144	28	567	55	533	232	9	820	24	62	77	45	163	40	344	32	13	416	95	1966	2061
*** BREAK ***																							
11:45	77	14	43	1	134	19	135	27	2	181	7	18	26	6	51	20	145	15	0	180	9	546	555
Total	77	14	43	1	134	19	135	27	2	181	7	18	26	6	51	20	145	15	0	180	9	546	555
12:00	82	22	24	7	128	17	149	32	2	198	11	21	21	11	53	22	137	11	2	170	22	549	571
12:15	95	34	50	3	179	12	131	42	3	185	9	11	45	6	65	30	144	18	0	192	12	621	633
12:30	81	22	45	11	148	21	117	35	0	173	16	23	31	17	70	32	126	11	4	169	32	560	592
12:45	75	19	55	9	149	19	127	28	0	174	13	18	23	14	54	27	141	18	3	186	26	563	589
Total	333	97	174	30	604	69	524	137	5	730	49	73	120	48	242	111	548	58	9	717	92	2293	2385
13:00	71	29	41	7	141	13	133	29	1	175	4	16	23	9	43	29	137	7	1	173	18	532	550
13:15	69	24	30	6	123	15	130	36	2	181	12	12	28	18	52	35	152	15	0	202	26	558	584
13:30	71	25	32	8	128	20	131	28	4	179	14	18	25	12	57	21	166	9	3	196	27	560	587
13:45	84	22	34	6	140	19	116	28	3	163	10	15	33	14	58	34	118	14	1	166	24	527	551
Total	295	100	137	27	532	67	510	121	10	698	40	61	109	53	210	119	573	45	5	737	95	2177	2272
14:00	67	23	37	5	127	18	119	38	4	175	13	35	42	5	90	28	133	15	1	176	15	568	583
14:15	78	24	34	4	136	9	124	42	3	175	9	21	19	8	49	26	155	8	0	189	15	549	564
14:30	88	26	32	3	146	14	146	18	3	178	16	28	20	7	64	35	142	8	1	185	14	573	587
14:45	130	34	35	5	199	17	118	36	5	171	8	13	29	13	50	25	123	10	7	158	30	578	608
Total	363	107	138	17	608	58	507	134	15	699	46	97	110	33	253	114	553	41	9	708	74	2268	2342
15:00	117	27	29	8	173	17	123	36	1	176	13	25	33	12	71	22	126	9	5	157	26	577	603
*** BREAK ***																							
Total	117	27	29	8	173	17	123	36	1	176	13	25	33	12	71	22	126	9	5	157	26	577	603
16:00	83	28	39	5	150	14	119	37	7	170	4	24	36	3	64	29	133	11	4	173	19	557	576
16:15	93	33	39	6	165	17	99	41	9	157	6	20	30	17	56	22	158	13	8	193	40	571	611
16:30	78	35	37	1	150	18	106	40	3	164	11	21	31	13	63	25	166	19	5	210	22	587	609
16:45	79	40	42	12	161	16	110	42	2	168	9	21	31	8	61	28	138	10	3	176	25	566	591
Total	333	136	157	24	626	65	434	160	21	659	30	86	128	41	244	104	595	53	20	752	106	2281	2387

# All Traffic Data

(916) 771-8700  
F (916) 786-2879

LAFAYETTE

File Name : 09-7331-007 OAK HILL-MT DIABLO-F  
Site Code : 00000000  
Start Date : 09/03/2009  
Page No : 2

## Groups Printed- Unshifted

Start Time	OAKHILL RD. Southbound					MT. DIABLO BLVD. Westbound					LAFAYETTE CIRCLE EAST Northbound					MT. DIABLO BLVD. Eastbound					Exclu. Total	Inclu. Total	Int. Total
	Left	Thru	Right	Peds	App. Total	Left	Thru	Right	Peds	App. Total	Left	Thru	Right	Peds	App. Total	Left	Thru	Right	Peds	App. Total			
17:00	85	24	36	9	145	19	113	40	4	172	9	29	42	11	80	37	160	11	5	208	29	605	634
17:15	124	28	32	1	184	13	121	32	1	166	8	22	18	8	48	31	160	13	5	204	15	602	617
17:30	109	31	37	8	177	14	117	33	6	164	6	18	22	6	46	26	151	12	7	189	27	576	603
17:45	122	42	37	11	201	20	111	40	5	171	8	20	26	25	54	26	142	12	9	180	50	606	656
Total	440	125	142	29	707	66	462	145	16	673	31	89	108	50	228	120	613	48	26	781	121	2389	2510
Grand Total	2549	772	1041	185	4362	448	3524	1245	86	5217	255	552	758	323	1565	674	3702	312	106	4688	700	15832	16532
Apprch %	58.4	17.7	23.9			8.6	67.5	23.9			16.3	35.3	48.4			14.4	79	6.7					
Total %	16.1	4.9	6.6		27.6	2.8	22.3	7.9		33	1.6	3.5	4.8		9.9	4.3	23.4	2		29.6	4.2	95.8	

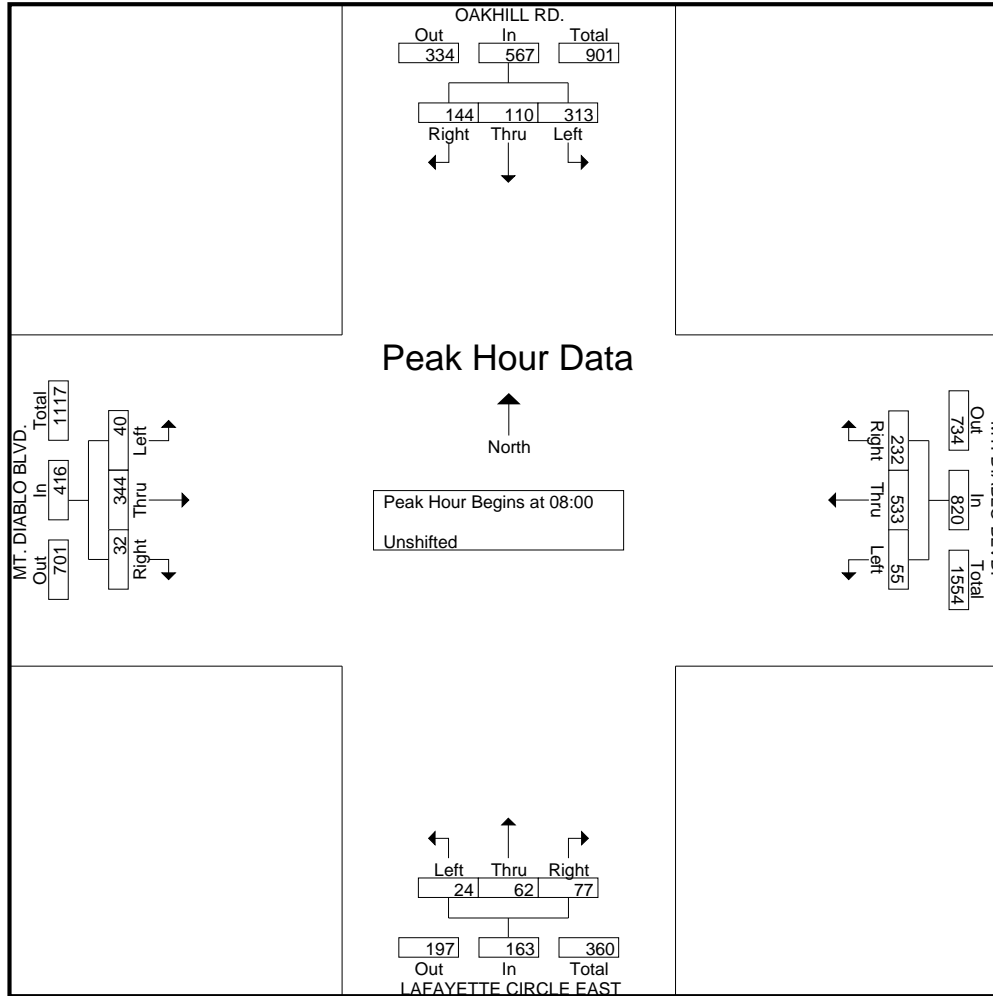
Start Time	OAKHILL RD. Southbound				App. Total	MT. DIABLO BLVD. Westbound				App. Total	LAFAYETTE CIRCLE EAST Northbound				App. Total	MT. DIABLO BLVD. Eastbound				Int. Total		
	Left	Thru	Right	Peds		Left	Thru	Right	Peds		Left	Thru	Right	Peds		Left	Thru	Right	Peds			
Peak Hour Analysis From 07:00 to 08:45 - Peak 1 of 1																						
Peak Hour for Entire Intersection Begins at 08:00																						
08:00	<b>86</b>	20	26		132	<b>19</b>	107	56		182	4	17	14		35	8	81	<b>11</b>		100		449
08:15	82	<b>34</b>	34		<b>150</b>	10	126	<b>67</b>		203	5	13	15		33	10	79	6		95		481
08:30	78	22	<b>48</b>		148	10	146	57		213	5	13	14		32	<b>14</b>	76	11		101		494
08:45	67	34	36		137	16	<b>154</b>	52		<b>222</b>	<b>10</b>	<b>19</b>	<b>34</b>		<b>63</b>	8	<b>108</b>	4		<b>120</b>		<b>542</b>
Total Volume	313	110	144		567	55	533	232		820	24	62	77		163	40	344	32		416		1966
% App. Total	55.2	19.4	25.4			6.7	65	28.3			14.7	38	47.2			9.6	82.7	7.7				
PHF	.910	.809	.750		.945	.724	.865	.866		.923	.600	.816	.566		.647	.714	.796	.727		.867		.907

# All Traffic Data

(916) 771-8700  
F (916) 786-2879

LAFAYETTE

File Name : 09-7331-007 OAK HILL-MT DIABLO-F  
Site Code : 00000000  
Start Date : 09/03/2009  
Page No : 3



Peak Hour Analysis From 11:45 to 15:00 - Peak 1 of 1  
Peak Hour for Entire Intersection Begins at 12:00

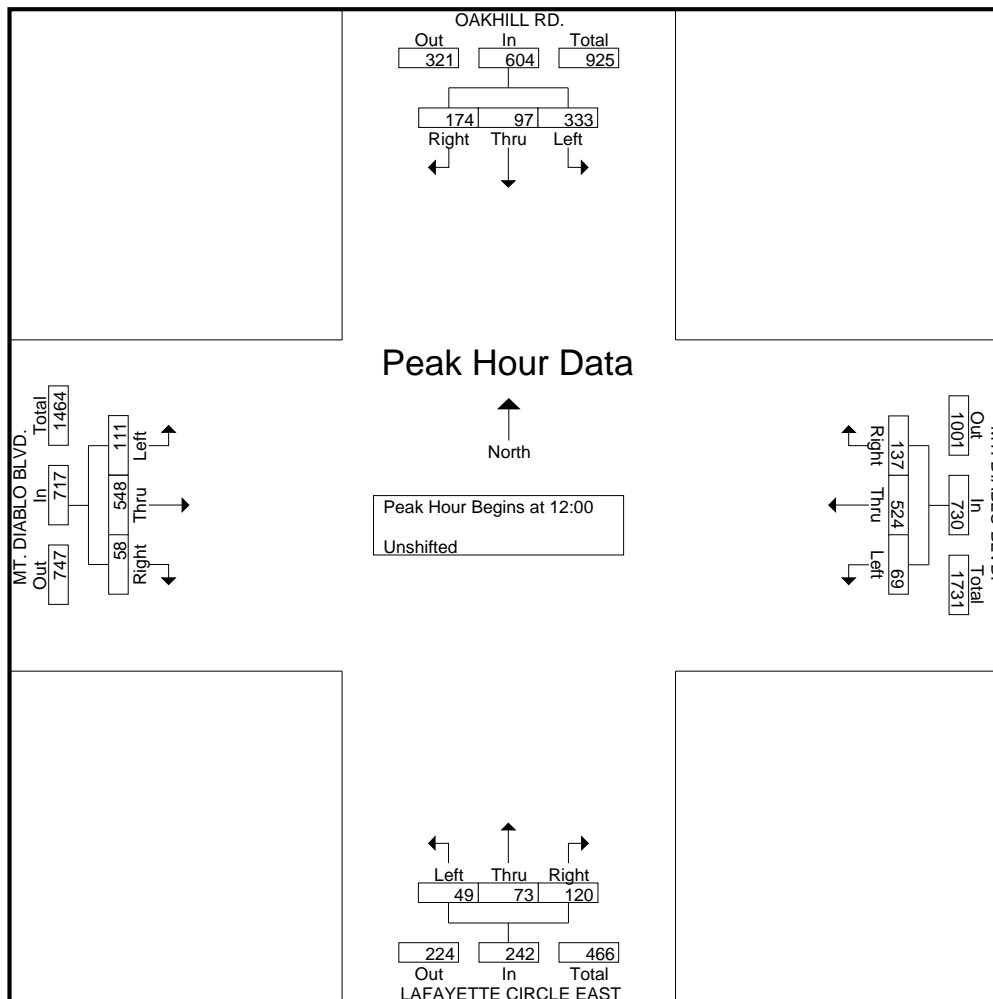
12:00	82	22	24	128	17	<b>149</b>	32	<b>198</b>	11	21	21	53	22	137	11	170	549
12:15	<b>95</b>	<b>34</b>	50	<b>179</b>	12	131	<b>42</b>	185	9	11	<b>45</b>	65	30	<b>144</b>	<b>18</b>	<b>192</b>	<b>621</b>
12:30	81	22	45	148	<b>21</b>	117	35	173	<b>16</b>	<b>23</b>	31	<b>70</b>	<b>32</b>	126	11	169	560
12:45	75	19	<b>55</b>	149	19	127	28	174	13	18	23	54	27	141	18	186	563
Total Volume	333	97	174	604	69	524	137	730	49	73	120	242	111	548	58	717	2293
% App. Total	55.1	16.1	28.8		9.5	71.8	18.8		20.2	30.2	49.6		15.5	76.4	8.1		
PHF	.876	.713	.791	.844	.821	.879	.815	.922	.766	.793	.667	.864	.867	.951	.806	.934	.923

# All Traffic Data

(916) 771-8700  
F (916) 786-2879

LAFAYETTE

File Name : 09-7331-007 OAK HILL-MT DIABLO-F  
Site Code : 00000000  
Start Date : 09/03/2009  
Page No : 4



Peak Hour Analysis From 16:00 to 17:45 - Peak 1 of 1  
Peak Hour for Entire Intersection Begins at 17:00

17:00	85	24	36	145	19	113	40	172	9	29	42	80	37	160	11	208	605
17:15	<b>124</b>	28	32	184	13	<b>121</b>	32	166	8	22	18	48	31	160	<b>13</b>	204	602
17:30	109	31	<b>37</b>	177	14	117	33	164	6	18	22	46	26	151	12	189	576
17:45	122	<b>42</b>	37	<b>201</b>	<b>20</b>	111	40	171	8	20	26	54	26	142	12	180	<b>606</b>
Total Volume	440	125	142	707	66	462	145	673	31	89	108	228	120	613	48	781	2389
% App. Total	62.2	17.7	20.1		9.8	68.6	21.5		13.6	39	47.4		15.4	78.5	6.1		
PHF	.887	.744	.959	.879	.825	.955	.906	.978	.861	.767	.643	.713	.811	.958	.923	.939	.986

# All Traffic Data

(916) 771-8700  
F (916) 786-2879

LAFAYETTE

File Name : 09-7331-007 OAK HILL-MT DIABLO-F  
Site Code : 00000000  
Start Date : 09/03/2009  
Page No : 5

