

All Traffic Data

(916) 771-8700
F (916) 786-2879

LAFAYETTE

File Name : 09-7391-001 MT DIABLO-PLEASANT HILL-F
Site Code : 00000000
Start Date : 09/29/2009
Page No : 1

Groups Printed- Unshifted

Start Time	PLEASANT HILL RD. Southbound				WB CA 24 ON RAMP Westbound				PLEASANT HILL RD. Northbound				MT. DIABLO BLVD. Eastbound				Int. Total
	Left	Thru	Right	App. Total	Left	Thru	Right	App. Total	Left	Thru	Right	App. Total	Left	Thru	Right	App. Total	
07:00	0	49	68	117	0	0	0	0	22	78	51	151	13	25	14	52	320
07:15	0	70	96	166	0	0	0	0	29	100	70	199	16	42	9	67	432
07:30	0	111	116	227	0	0	0	0	45	177	97	319	47	54	17	118	664
07:45	0	112	180	292	0	0	0	0	68	176	101	345	54	45	13	112	749
Total	0	342	460	802	0	0	0	0	164	531	319	1014	130	166	53	349	2165
08:00	0	125	128	253	0	0	0	0	55	140	108	303	33	69	24	126	682
08:15	0	137	155	292	0	0	0	0	51	166	111	328	36	50	19	105	725
08:30	0	128	130	258	0	0	0	0	52	117	107	276	30	81	36	147	681
08:45	0	138	132	270	0	0	0	0	54	115	116	285	23	74	31	128	683
Total	0	528	545	1073	0	0	0	0	212	538	442	1192	122	274	110	506	2771
*** BREAK ***																	
16:00	0	123	94	217	0	0	0	0	60	129	91	280	55	103	48	206	703
16:15	0	108	84	192	0	0	0	0	48	105	73	226	43	74	34	151	569
16:30	0	110	78	188	0	0	0	0	57	108	65	230	50	97	43	190	608
16:45	0	100	76	176	0	0	0	0	66	128	66	260	33	81	50	164	600
Total	0	441	332	773	0	0	0	0	231	470	295	996	181	355	175	711	2480
17:00	0	119	94	213	0	0	0	0	58	132	59	249	59	97	56	212	674
17:15	0	132	94	226	0	0	0	0	45	126	67	238	43	100	63	206	670
17:30	0	155	88	243	0	0	0	0	41	98	73	212	46	101	46	193	648
17:45	0	130	71	201	0	0	0	0	52	93	60	205	36	103	57	196	602
Total	0	536	347	883	0	0	0	0	196	449	259	904	184	401	222	807	2594
Grand Total	0	1847	1684	3531	0	0	0	0	803	1988	1315	4106	617	1196	560	2373	10010
Apprch %	0	52.3	47.7		0	0	0		19.6	48.4	32		26	50.4	23.6		
Total %	0	18.5	16.8	35.3	0	0	0	0	8	19.9	13.1	41	6.2	11.9	5.6	23.7	

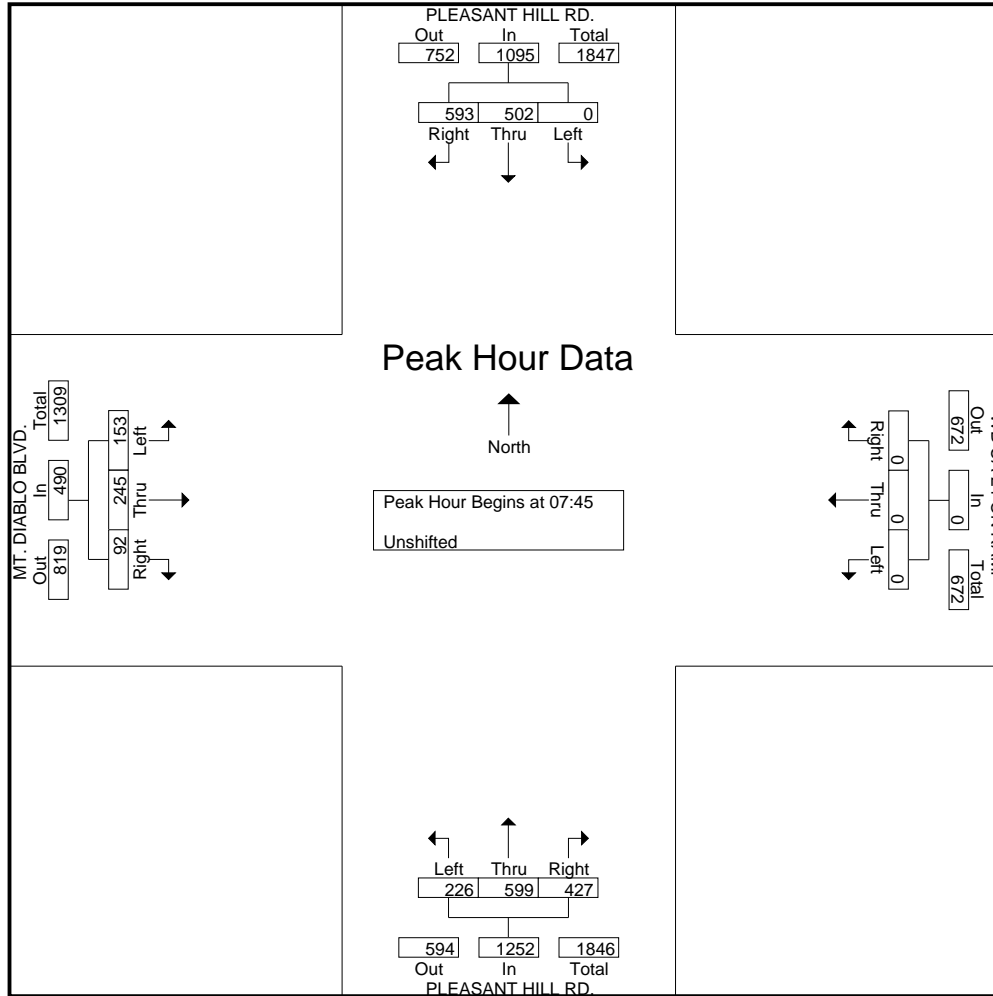
Start Time	PLEASANT HILL RD. Southbound				WB CA 24 ON RAMP Westbound				PLEASANT HILL RD. Northbound				MT. DIABLO BLVD. Eastbound				Int. Total
	Left	Thru	Right	App. Total	Left	Thru	Right	App. Total	Left	Thru	Right	App. Total	Left	Thru	Right	App. Total	
Peak Hour Analysis From 07:00 to 08:45 - Peak 1 of 1																	
Peak Hour for Entire Intersection Begins at 07:45																	
07:45	0	112	180	292	0	0	0	0	68	176	101	345	54	45	13	112	749
08:00	0	125	128	253	0	0	0	0	55	140	108	303	33	69	24	126	682
08:15	0	137	155	292	0	0	0	0	51	166	111	328	36	50	19	105	725
08:30	0	128	130	258	0	0	0	0	52	117	107	276	30	81	36	147	681
Total Volume	0	502	593	1095	0	0	0	0	226	599	427	1252	153	245	92	490	2837
% App. Total	0	45.8	54.2		0	0	0		18.1	47.8	34.1		31.2	50	18.8		
PHF	.000	.916	.824	.938	.000	.000	.000	.000	.831	.851	.962	.907	.708	.756	.639	.833	.947

All Traffic Data

(916) 771-8700
F (916) 786-2879

LAFAYETTE

File Name : 09-7391-001 MT DIABLO-PLEASANT HILL-F
Site Code : 00000000
Start Date : 09/29/2009
Page No : 2



Peak Hour Analysis From 16:00 to 17:45 - Peak 1 of 1
Peak Hour for Entire Intersection Begins at 17:00

17:00	0	119	94	213	0	0	0	0	58	132	59	249	59	97	56	212	674
17:15	0	132	94	226	0	0	0	0	45	126	67	238	43	100	63	206	670
17:30	0	155	88	243	0	0	0	0	41	98	73	212	46	101	46	193	648
17:45	0	130	71	201	0	0	0	0	52	93	60	205	36	103	57	196	602
Total Volume	0	536	347	883	0	0	0	0	196	449	259	904	184	401	222	807	2594
% App. Total	0	60.7	39.3		0	0	0	0	21.7	49.7	28.7		22.8	49.7	27.5		
PHF	.000	.865	.923	.908	.000	.000	.000	.000	.845	.850	.887	.908	.780	.973	.881	.952	.962

All Traffic Data

(916) 771-8700
F (916) 786-2879

LAFAYETTE

File Name : 09-7391-001 MT DIABLO-PLEASANT HILL-F
Site Code : 00000000
Start Date : 09/29/2009
Page No : 3

