

All Traffic Data

(916) 771-8700
F (916) 786-2879

LAFAYETTE

File Name : 09-7331-020 OAK HILL-EB CA 24 OFF RAMP-F
Site Code : 00000000
Start Date : 09/03/2009
Page No : 1

Groups Printed- Unshifted

Start Time	OAK HILL RD. Southbound					Westbound					OAK HILL RD. Northbound					EB CA 24 OFF RAMP Eastbound					Exclu. Total	Inclu. Total	Int. Total
	Left	Thru	Right	Peds	App. Total	Left	Thru	Right	Peds	App. Total	Left	Thru	Right	Peds	App. Total	Left	Thru	Right	Peds	App. Total			
07:00	0	32	0	0	32	0	0	0	2	0	0	74	0	0	74	12	0	46	3	58	5	164	169
07:15	0	38	0	0	38	0	0	0	3	0	0	79	0	0	79	10	0	55	7	65	10	182	192
07:30	0	32	0	0	32	0	0	0	0	0	0	94	0	0	94	18	0	86	5	104	5	230	235
07:45	0	52	0	0	52	0	0	0	2	0	0	101	0	0	101	28	0	108	0	136	2	289	291
Total	0	154	0	0	154	0	0	0	7	0	0	348	0	0	348	68	0	295	15	363	22	865	887
08:00	0	48	0	0	48	0	0	0	2	0	0	91	0	0	91	15	0	90	3	105	5	244	249
08:15	0	66	0	0	66	0	0	0	0	0	0	103	0	0	103	6	0	91	3	97	3	266	269
08:30	0	68	0	0	68	0	0	0	1	0	0	86	0	0	86	15	0	90	2	105	3	259	262
08:45	0	61	0	0	61	0	0	0	1	0	0	91	0	0	91	25	0	81	0	106	1	258	259
Total	0	243	0	0	243	0	0	0	4	0	0	371	0	0	371	61	0	352	8	413	12	1027	1039
*** BREAK ***																							
11:45	0	64	0	0	64	0	0	0	3	0	0	78	0	0	78	19	0	87	0	106	3	248	251
Total	0	64	0	0	64	0	0	0	3	0	0	78	0	0	78	19	0	87	0	106	3	248	251
12:00	0	52	0	0	52	0	0	0	0	0	0	78	0	0	78	26	0	84	2	110	2	240	242
12:15	0	66	0	0	66	0	0	0	0	0	0	85	0	0	85	22	0	108	1	130	1	281	282
12:30	0	56	0	0	56	0	0	0	1	0	0	87	0	0	87	20	0	101	1	121	2	264	266
12:45	0	59	0	0	59	0	0	0	0	0	0	93	0	0	93	15	0	94	0	109	0	261	261
Total	0	233	0	0	233	0	0	0	1	0	0	343	0	0	343	83	0	387	4	470	5	1046	1051
13:00	0	48	0	0	48	0	0	0	0	0	0	73	0	0	73	15	0	101	0	116	0	237	237
13:15	0	44	0	0	44	0	0	0	0	0	0	84	0	0	84	16	0	90	0	106	0	234	234
13:30	0	47	0	0	47	0	0	0	1	0	0	59	0	0	59	19	0	91	0	110	1	216	217
13:45	0	43	0	0	43	0	0	0	0	0	0	86	0	0	86	28	0	92	0	120	0	249	249
Total	0	182	0	0	182	0	0	0	1	0	0	302	0	0	302	78	0	374	0	452	1	936	937
14:00	0	44	0	0	44	0	0	0	0	0	0	91	0	0	91	19	0	92	1	111	1	246	247
14:15	0	42	0	0	42	0	0	0	0	0	0	89	0	0	89	11	0	100	0	111	0	242	242
14:30	0	50	0	0	50	0	0	0	2	0	0	83	0	0	83	17	0	107	0	124	2	257	259
14:45	0	67	0	0	67	0	0	0	0	0	0	79	0	0	79	24	0	133	0	157	0	303	303
Total	0	203	0	0	203	0	0	0	2	0	0	342	0	0	342	71	0	432	1	503	3	1048	1051
15:00	0	64	0	0	64	0	0	0	0	0	0	85	0	0	85	13	0	110	3	123	3	272	275
*** BREAK ***																							
Total	0	64	0	0	64	0	0	0	0	0	0	85	0	0	85	13	0	110	3	123	3	272	275
16:00	0	77	0	0	77	0	0	0	0	0	0	86	0	0	86	24	0	81	1	105	1	268	269
16:15	0	73	0	0	73	0	0	0	0	0	0	91	0	0	91	37	0	100	1	137	1	301	302
16:30	0	69	0	0	69	0	0	0	0	0	0	92	0	0	92	25	0	81	0	106	0	267	267
16:45	0	72	0	0	72	0	0	0	0	0	0	101	0	0	101	20	0	89	5	109	5	282	287
Total	0	291	0	0	291	0	0	0	0	0	0	370	0	0	370	106	0	351	7	457	7	1118	1125

All Traffic Data

(916) 771-8700
F (916) 786-2879

LAFAYETTE

File Name : 09-7331-020 OAK HILL-EB CA 24 OFF RAMP-F
Site Code : 00000000
Start Date : 09/03/2009
Page No : 2

Groups Printed- Unshifted

Start Time	OAK HILL RD. Southbound					Westbound					OAK HILL RD. Northbound					EB CA 24 OFF RAMP Eastbound					Exclu. Total	Inclu. Total	Int. Total
	Left	Thru	Right	Peds	App. Total	Left	Thru	Right	Peds	App. Total	Left	Thru	Right	Peds	App. Total	Left	Thru	Right	Peds	App. Total			
17:00	0	61	0	0	61	0	0	0	0	0	0	112	0	0	112	25	0	90	0	115	0	288	288
17:15	0	61	0	0	61	0	0	0	0	0	0	89	0	0	89	23	0	120	5	143	5	293	298
17:30	0	76	0	0	76	0	0	0	1	0	0	72	0	0	72	28	0	111	0	139	1	287	288
17:45	0	83	0	0	83	0	0	0	0	0	0	76	0	0	76	32	0	115	5	147	5	306	311
Total	0	281	0	0	281	0	0	0	1	0	0	349	0	0	349	108	0	436	10	544	11	1174	1185
Grand Total	0	1715	0	0	1715	0	0	0	19	0	0	2588	0	0	2588	607	0	2824	48	3431	67	7734	7801
Apprch %	0	100	0	0		0	0	0		0	0	100	0	0		17.7	0	82.3					
Total %	0	22.2	0	0	22.2	0	0	0	0	0	0	33.5	0	0	33.5	7.8	0	36.5	44.4		0.9	99.1	

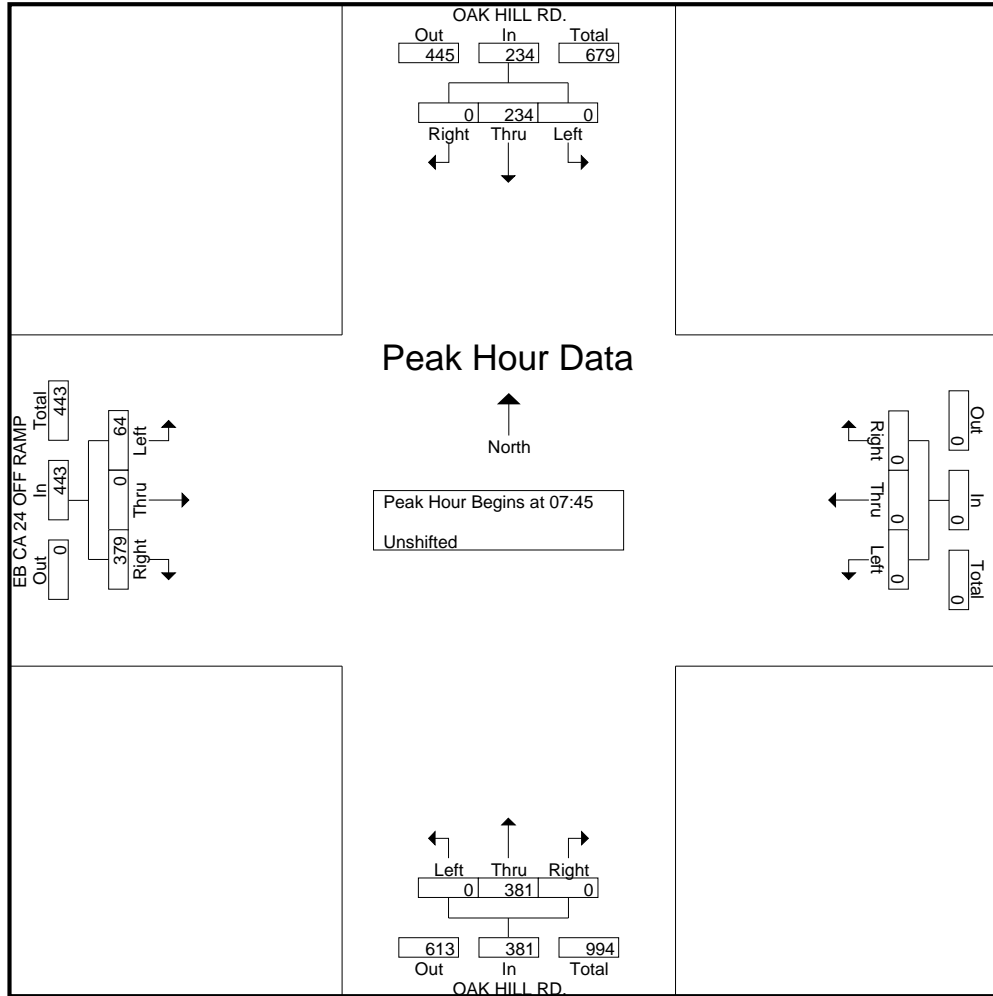
Start Time	OAK HILL RD. Southbound				Westbound				OAK HILL RD. Northbound				EB CA 24 OFF RAMP Eastbound				Int. Total	
	Left	Thru	Right	App. Total	Left	Thru	Right	App. Total	Left	Thru	Right	App. Total	Left	Thru	Right	App. Total		
Peak Hour Analysis From 07:00 to 08:45 - Peak 1 of 1																		
Peak Hour for Entire Intersection Begins at 07:45																		
07:45	0	52	0	52	0	0	0	0	0	0	101	0	101	28	0	108	136	289
08:00	0	48	0	48	0	0	0	0	0	0	91	0	91	15	0	90	105	244
08:15	0	66	0	66	0	0	0	0	0	0	103	0	103	6	0	91	97	266
08:30	0	68	0	68	0	0	0	0	0	0	86	0	86	15	0	90	105	259
Total Volume	0	234	0	234	0	0	0	0	0	0	381	0	381	64	0	379	443	1058
% App. Total	0	100	0		0	0	0		0	0	100	0		14.4	0	85.6		
PHF	.000	.860	.000	.860	.000	.000	.000	.000	.000	.000	.925	.000	.925	.571	.000	.877	.814	.915

All Traffic Data

(916) 771-8700
F (916) 786-2879

LAFAYETTE

File Name : 09-7331-020 OAK HILL-EB CA 24 OFF RAMP-F
Site Code : 00000000
Start Date : 09/03/2009
Page No : 3



Peak Hour Analysis From 11:45 to 15:00 - Peak 1 of 1
Peak Hour for Entire Intersection Begins at 14:15

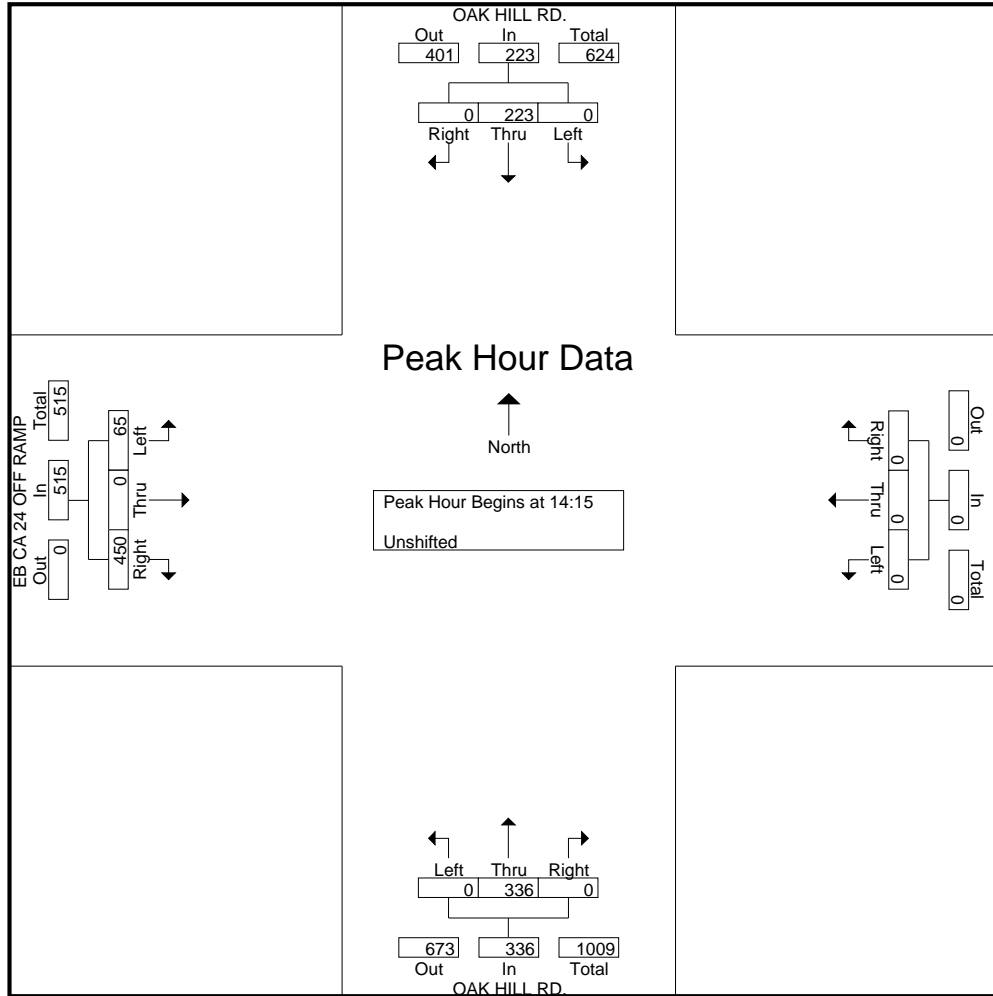
14:15	0	42	0	42	0	0	0	0	0	89	0	89	11	0	100	111	242
14:30	0	50	0	50	0	0	0	0	0	83	0	83	17	0	107	124	257
14:45	0	67	0	67	0	0	0	0	0	79	0	79	24	0	133	157	303
15:00	0	64	0	64	0	0	0	0	0	85	0	85	13	0	110	123	272
Total Volume	0	223	0	223	0	0	0	0	0	336	0	336	65	0	450	515	1074
% App. Total	0	100	0		0	0	0	0	0	100	0		12.6	0	87.4		
PHF	.000	.832	.000	.832	.000	.000	.000	.000	.000	.944	.000	.944	.677	.000	.846	.820	.886

All Traffic Data

(916) 771-8700
F (916) 786-2879

LAFAYETTE

File Name : 09-7331-020 OAK HILL-EB CA 24 OFF RAMP-F
Site Code : 00000000
Start Date : 09/03/2009
Page No : 4



Peak Hour Analysis From 16:00 to 17:45 - Peak 1 of 1
Peak Hour for Entire Intersection Begins at 17:00

17:00	0	61	0	61	0	0	0	0	0	112	0	112	25	0	90	115	288
17:15	0	61	0	61	0	0	0	0	0	89	0	89	23	0	120	143	293
17:30	0	76	0	76	0	0	0	0	0	72	0	72	28	0	111	139	287
17:45	0	83	0	83	0	0	0	0	0	76	0	76	32	0	115	147	306
Total Volume	0	281	0	281	0	0	0	0	0	349	0	349	108	0	436	544	1174
% App. Total	0	100	0	100	0	0	0	0	0	100	0	100	19.9	0	80.1		
PHF	.000	.846	.000	.846	.000	.000	.000	.000	.000	.779	.000	.779	.844	.000	.908	.925	.959

All Traffic Data

(916) 771-8700
F (916) 786-2879

LAFAYETTE

File Name : 09-7331-020 OAK HILL-EB CA 24 OFF RAMP-F
Site Code : 00000000
Start Date : 09/03/2009
Page No : 5

