

# All Traffic Data

(916) 771-8700  
F (916) 786-2879

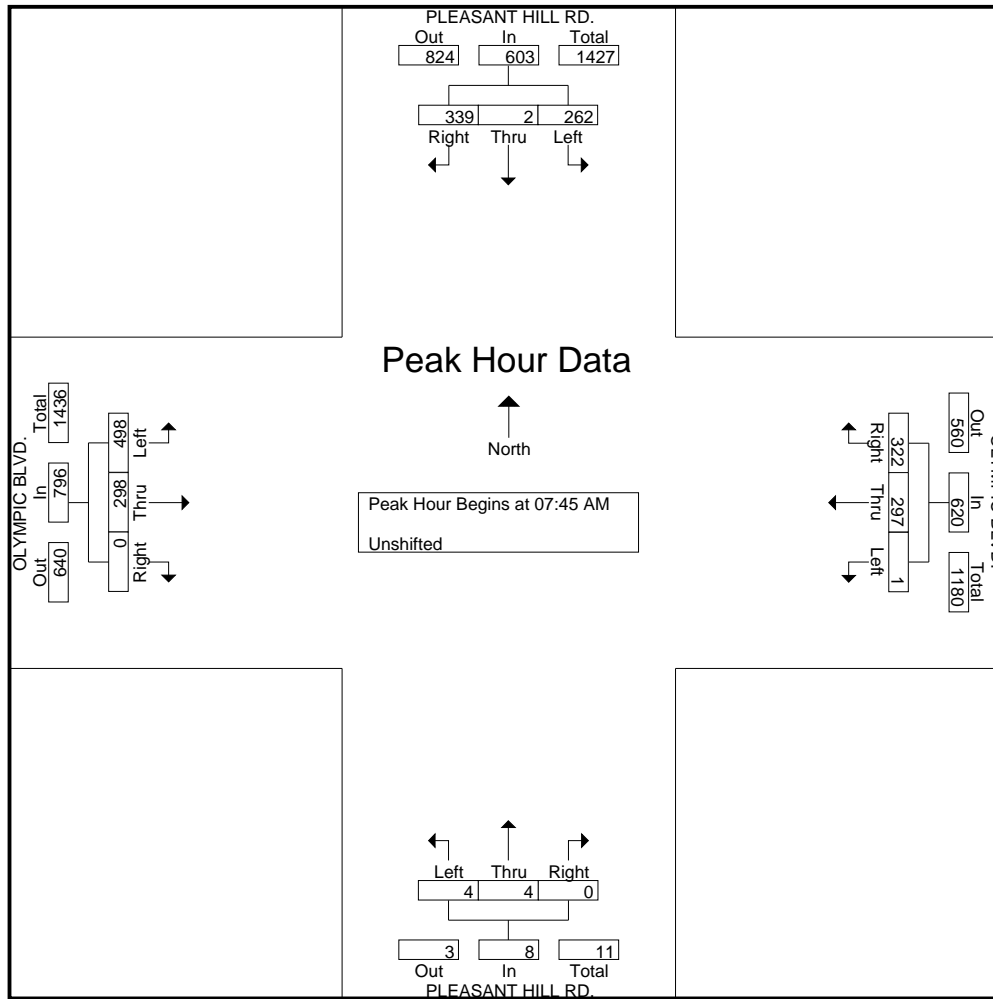
LAFAYETTE

File Name : 08-7280-024 PLEASANT HILL-OLYMPIC-F  
Site Code : 00000000  
Start Date : 05/15/2008  
Page No : 1

### Groups Printed- Unshifted

Start Time	PLEASANT HILL RD. Southbound					OLYMPIC BLVD. Westbound					PLEASANT HILL RD. Northbound					OLYMPIC BLVD. Eastbound					Exclu. Total	Inclu. Total	Int. Total
	Left	Thru	Right	Peds	App. Total	Left	Thru	Right	Peds	App. Total	Left	Thru	Right	Peds	App. Total	Left	Thru	Right	Peds	App. Total			
07:00 AM	36	1	51	4	88	0	10	47	12	57	1	1	0	0	2	76	20	0	2	96	18	243	261
07:15 AM	37	0	60	4	97	0	42	72	4	114	0	1	0	0	1	83	28	0	3	111	11	323	334
07:30 AM	45	0	69	10	114	0	79	83	6	162	1	1	0	0	2	115	39	1	2	155	18	433	451
07:45 AM	58	1	95	16	154	1	85	92	17	178	0	0	0	0	0	135	58	0	4	193	37	525	562
<b>Total</b>	176	2	275	34	453	1	216	294	39	511	2	3	0	0	5	409	145	1	11	555	84	1524	1608
08:00 AM	62	0	91	3	153	0	92	82	11	174	1	3	0	0	4	122	64	0	4	186	18	517	535
08:15 AM	70	0	78	12	148	0	70	83	5	153	3	0	0	0	3	124	78	0	6	202	23	506	529
08:30 AM	72	1	75	5	148	0	50	65	4	115	0	1	0	0	1	117	98	0	6	215	15	479	494
08:45 AM	68	0	78	4	146	0	59	67	0	126	2	0	0	0	2	121	87	1	3	209	7	483	490
<b>Total</b>	272	1	322	24	595	0	271	297	20	568	6	4	0	0	10	484	327	1	19	812	63	1985	2048
*** BREAK ***																							
04:00 PM	80	2	86	1	168	0	56	76	4	132	0	1	0	0	1	109	51	1	0	161	5	462	467
04:15 PM	81	0	89	0	170	0	65	98	2	163	1	0	0	0	1	117	55	0	0	172	2	506	508
04:30 PM	89	0	88	0	177	1	63	76	1	140	0	3	0	0	3	90	46	1	0	137	1	457	458
04:45 PM	73	2	86	6	161	0	58	94	7	152	2	2	0	0	4	87	45	0	0	132	13	449	462
<b>Total</b>	323	4	349	7	676	1	242	344	14	587	3	6	0	0	9	403	197	2	0	602	21	1874	1895
05:00 PM	83	2	83	0	168	0	49	76	0	125	1	3	0	0	4	70	58	0	0	128	0	425	425
05:15 PM	98	0	87	1	185	4	54	95	0	153	1	2	0	0	3	83	53	0	0	136	1	477	478
05:30 PM	99	2	83	1	184	2	64	86	0	152	0	1	0	0	1	86	58	0	0	144	1	481	482
05:45 PM	85	1	77	2	163	0	63	63	0	126	0	1	0	0	1	84	57	0	1	141	3	431	434
<b>Total</b>	365	5	330	4	700	6	230	320	0	556	2	7	0	0	9	323	226	0	1	549	5	1814	1819
<b>Grand Total</b>	1136	12	1276	69	2424	8	959	1255	73	2222	13	20	0	0	33	1619	895	4	31	2518	173	7197	7370
Apprch %	46.9	0.5	52.6			0.4	43.2	56.5			39.4	60.6	0			64.3	35.5	0.2					
Total %	15.8	0.2	17.7		33.7	0.1	13.3	17.4		30.9	0.2	0.3	0		0.5	22.5	12.4	0.1		35	2.3	97.7	

Start Time	PLEASANT HILL RD. Southbound				OLYMPIC BLVD. Westbound				PLEASANT HILL RD. Northbound				OLYMPIC BLVD. Eastbound				Int. Total
	Left	Thru	Right	App. Total	Left	Thru	Right	App. Total	Left	Thru	Right	App. Total	Left	Thru	Right	App. Total	
Peak Hour Analysis From 07:00 AM to 08:45 AM - Peak 1 of 1																	
Peak Hour for Entire Intersection Begins at 07:45 AM																	
07:45 AM	58	1	95	154	1	85	92	178	0	0	0	0	135	58	0	193	525
08:00 AM	62	0	91	153	0	92	82	174	1	3	0	4	122	64	0	186	517
08:15 AM	70	0	78	148	0	70	83	153	3	0	0	3	124	78	0	202	506
08:30 AM	72	1	75	148	0	50	65	115	0	1	0	1	117	98	0	215	479
<b>Total Volume</b>	262	2	339	603	1	297	322	620	4	4	0	8	498	298	0	796	2027
<b>% App. Total</b>	43.4	0.3	56.2		0.2	47.9	51.9		50	50	0		62.6	37.4	0		



Peak Hour Analysis From 04:00 PM to 05:45 PM - Peak 1 of 1

Peak Hour for Entire Intersection Begins at 04:00 PM

04:00 PM	80	2	86	168	0	56	76	132	0	1	0	1	109	51	1	161	462
04:15 PM	81	0	89	170	0	65	98	163	1	0	0	1	117	55	0	172	506
04:30 PM	89	0	88	177	1	63	76	140	0	3	0	3	90	46	1	137	457
04:45 PM	73	2	86	161	0	58	94	152	2	2	0	4	87	45	0	132	449
Total Volume	323	4	349	676	1	242	344	587	3	6	0	9	403	197	2	602	1874
% App. Total	47.8	0.6	51.6		0.2	41.2	58.6		33.3	66.7	0		66.9	32.7	0.3		
PHF	.907	.500	.980	.955	.250	.931	.878	.900	.375	.500	.000	.563	.861	.895	.500	.875	.926

# All Traffic Data

(916) 771-8700  
F (916) 786-2879

LAFAYETTE

File Name : 08-7280-024 PLEASANT HILL-OLYMPIC-F  
Site Code : 00000000  
Start Date : 05/15/2008  
Page No : 3

