

All Traffic Data

(916)771-8700

LAFAYETTE

File Name : 09 LAFAYETTE-F

Site Code : 00000000

Start Date : 10/8/2009

Page No : 1

Groups Printed- Unshifted

Start Time	PLEASANT HILL RD. From North					STANLEY BLVD. From East					PLEASANT HILL RD. From South					DEER HILL RD. From West					Exclu. Total	Inclu. Total	Int. Total
	Left	Thru	Right	Peds	App. Total	Left	Thru	Right	Peds	App. Total	Left	Thru	Right	Peds	App. Total	Left	Thru	Right	Peds	App. Total			
07:00 AM	16	275	63	0	354	21	4	5	0	30	19	96	6	0	121	2	1	1	0	4	0	509	509
07:15 AM	18	367	98	0	483	34	9	3	1	46	8	110	21	1	139	6	5	9	0	20	2	688	690
07:30 AM	26	323	119	0	468	68	19	9	5	96	22	158	68	17	248	31	21	11	1	63	23	875	898
07:45 AM	34	266	100	0	400	108	20	2	1	130	37	194	133	61	364	56	9	21	0	86	62	980	1042
Total	94	1231	380	0	1705	231	52	19	7	302	86	558	228	79	872	95	36	42	1	173	87	3052	3139
08:00 AM	11	281	118	0	410	76	20	19	0	115	43	161	17	0	221	14	8	11	0	33	0	779	779
08:15 AM	29	299	85	0	413	28	7	17	0	52	28	129	15	0	172	15	7	4	0	26	0	663	663
08:30 AM	23	316	66	0	405	35	10	8	0	53	22	121	22	0	165	8	3	5	0	16	0	639	639
08:45 AM	14	309	64	0	387	31	6	10	0	47	27	136	19	0	182	6	2	12	0	20	0	636	636
Total	77	1205	333	0	1615	170	43	54	0	267	120	547	73	0	740	43	20	32	0	95	0	2717	2717

*** BREAK ***

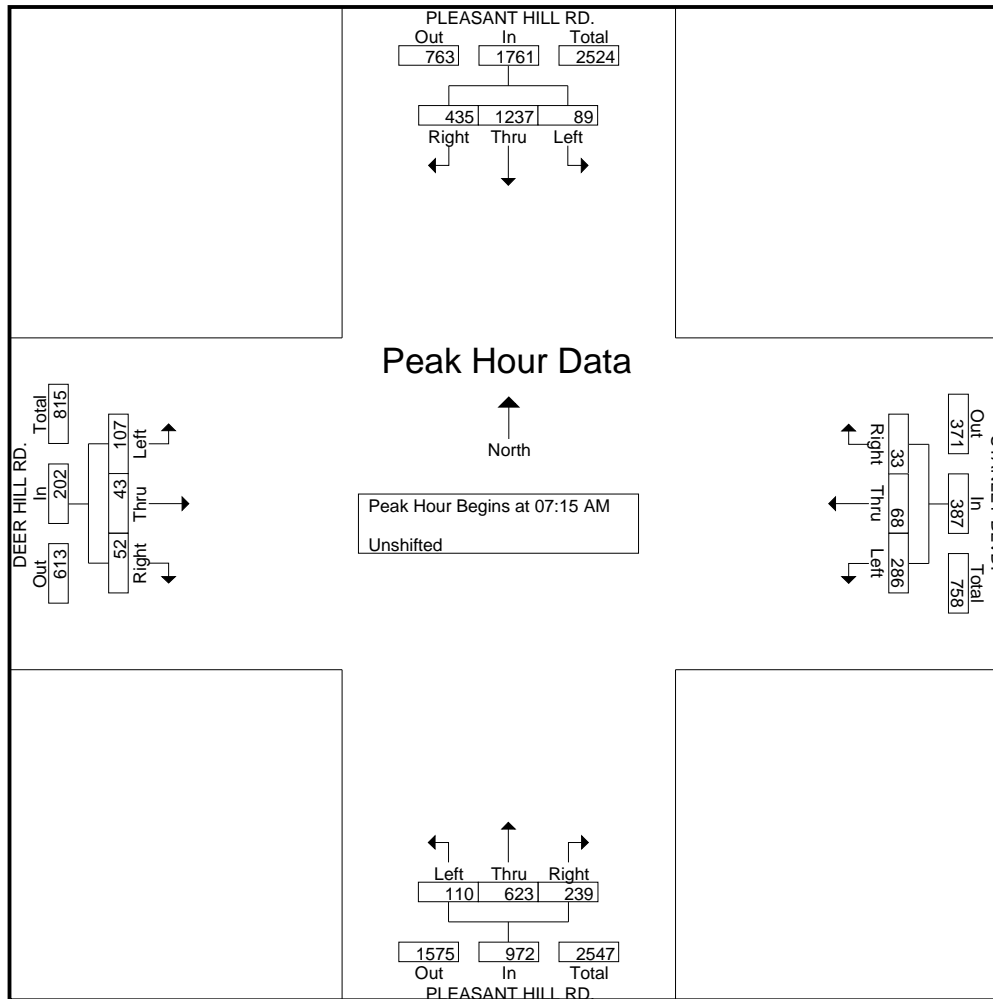
04:00 PM	27	174	44	0	245	33	6	19	8	58	8	292	52	0	352	69	17	6	0	92	8	747	755
04:15 PM	17	149	30	0	196	42	5	23	4	70	16	332	40	0	388	83	18	5	0	106	4	760	764
04:30 PM	22	161	59	0	242	40	21	29	0	90	15	331	51	0	397	90	15	6	0	111	0	840	840
04:45 PM	25	152	52	0	229	39	23	22	0	84	12	307	57	0	376	119	14	5	0	138	0	827	827
Total	91	636	185	0	912	154	55	93	12	302	51	1262	200	0	1513	361	64	22	0	447	12	3174	3186
05:00 PM	16	135	47	0	198	54	11	37	0	102	11	316	64	2	391	103	18	5	0	126	2	817	819
05:15 PM	27	163	73	0	263	62	21	45	0	128	17	310	69	0	396	145	31	3	0	179	0	966	966
05:30 PM	21	166	54	0	241	66	18	37	0	121	6	309	60	0	375	124	27	12	0	163	0	900	900
05:45 PM	17	161	43	1	221	32	13	38	1	83	9	348	31	1	388	108	14	6	0	128	3	820	823
Total	81	625	217	1	923	214	63	157	1	434	43	1283	224	3	1550	480	90	26	0	596	5	3503	3508
Grand Total	343	3697	1115	1	5155	769	213	323	20	1305	300	3650	725	82	4675	979	210	122	1	1311	104	12446	12550
Apprch %	6.7	71.7	21.6			58.9	16.3	24.8			6.4	78.1	15.5			74.7	16	9.3					
Total %	2.8	29.7	9		41.4	6.2	1.7	2.6		10.5	2.4	29.3	5.8		37.6	7.9	1.7	1		10.5	0.8	99.2	

Start Time	PLEASANT HILL RD. From North				STANLEY BLVD. From East				PLEASANT HILL RD. From South				DEER HILL RD. From West				Int. Total
	Left	Thru	Right	App. Total	Left	Thru	Right	App. Total	Left	Thru	Right	App. Total	Left	Thru	Right	App. Total	

Peak Hour Analysis From 07:00 AM to 08:45 AM - Peak 1 of 1

Peak Hour for Entire Intersection Begins at 07:15 AM

07:15 AM	18	367	98	483	34	9	3	46	8	110	21	139	6	5	9	20	688
07:30 AM	26	323	119	468	68	19	9	96	22	158	68	248	31	21	11	63	875
07:45 AM	34	266	100	400	108	20	2	130	37	194	133	364	56	9	21	86	980
08:00 AM	11	281	118	410	76	20	19	115	43	161	17	221	14	8	11	33	779
Total Volume	89	1237	435	1761	286	68	33	387	110	623	239	972	107	43	52	202	3322
% App. Total	5.1	70.2	24.7		73.9	17.6	8.5		11.3	64.1	24.6		53	21.3	25.7		



Peak Hour Analysis From 04:00 PM to 05:45 PM - Peak 1 of 1

Peak Hour for Entire Intersection Begins at 04:45 PM

04:45 PM	25	152	52	229	39	23	22	84	12	307	57	376	119	14	5	138	827
05:00 PM	16	135	47	198	54	11	37	102	11	316	64	391	103	18	5	126	817
05:15 PM	27	163	73	263	62	21	45	128	17	310	69	396	145	31	3	179	966
05:30 PM	21	166	54	241	66	18	37	121	6	309	60	375	124	27	12	163	900
Total Volume	89	616	226	931	221	73	141	435	46	1242	250	1538	491	90	25	606	3510
% App. Total	9.6	66.2	24.3		50.8	16.8	32.4		3	80.8	16.3		81	14.9	4.1		
PHF	.824	.928	.774	.885	.837	.793	.783	.850	.676	.983	.906	.971	.847	.726	.521	.846	.908

All Traffic Data

(916)771-8700

LAFAYETTE

File Name : 09 LAFAYETTE-F

Site Code : 00000000

Start Date : 10/8/2009

Page No : 3

