

# All Traffic Data

(916) 771-8700  
F (916) 786-2879

LAFAYETTE

File Name : 08-7280-025 RELIEZ-OLYMPIC-F  
Site Code : 00000000  
Start Date : 05/15/2008  
Page No : 1

### Groups Printed- Unshifted

Start Time	RELIEZ STATION RD. Southbound					OLYMPIC BLVD. Westbound					RELIEZ STATION RD. Northbound					Eastbound					Exclu. Total	Inclu. Total	Int. Total
	Left	Thru	Right	Peds	App. Total	Left	Thru	Right	Peds	App. Total	Left	Thru	Right	Peds	App. Total	Left	Thru	Right	Peds	App. Total			
07:00 AM	0	2	0	7	2	63	0	1	0	64	0	0	89	0	89	0	0	0	0	0	7	155	162
07:15 AM	0	0	0	0	0	106	0	3	0	109	0	1	124	0	125	0	0	0	0	0	0	234	234
07:30 AM	2	5	0	2	7	148	0	4	0	152	0	7	149	0	156	0	0	0	0	0	2	315	317
07:45 AM	2	9	0	4	11	172	0	7	0	179	0	24	189	0	213	0	0	0	0	0	4	403	407
<b>Total</b>	4	16	0	13	20	489	0	15	0	504	0	32	551	0	583	0	0	0	0	0	13	1107	1120
08:00 AM	1	8	0	5	9	178	0	4	1	182	0	12	187	3	199	0	0	0	0	0	9	390	399
08:15 AM	1	9	0	4	10	153	0	1	0	154	0	12	201	2	213	0	0	0	0	0	6	377	383
08:30 AM	0	5	0	8	5	125	0	2	0	127	0	11	214	0	225	0	0	0	0	0	8	357	365
08:45 AM	2	5	0	10	7	139	0	2	0	141	0	7	198	8	205	0	0	0	0	0	18	353	371
<b>Total</b>	4	27	0	27	31	595	0	9	1	604	0	42	800	13	842	0	0	0	0	0	41	1477	1518

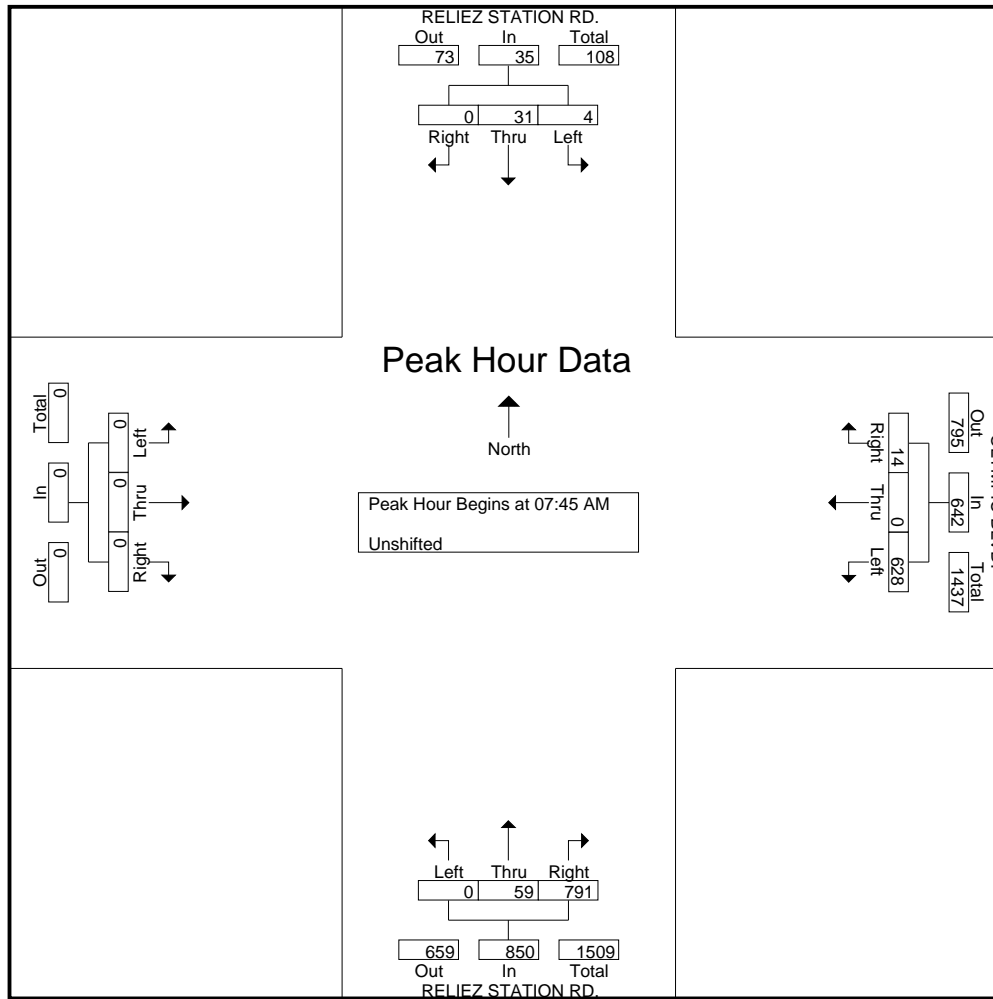
\*\*\* BREAK \*\*\*

04:00 PM	10	4	0	0	14	149	0	6	2	155	0	2	140	2	142	0	0	0	0	0	4	311	315
04:15 PM	1	1	0	0	2	153	0	1	0	154	0	1	179	2	180	0	0	0	0	0	2	336	338
04:30 PM	1	2	0	0	3	138	0	2	0	140	0	6	124	0	130	0	0	0	0	0	0	273	273
04:45 PM	0	3	0	1	3	158	0	3	0	161	0	1	141	1	142	0	0	0	0	0	2	306	308
<b>Total</b>	12	10	0	1	22	598	0	12	2	610	0	10	584	5	594	0	0	0	0	0	8	1226	1234
05:00 PM	1	3	0	1	4	136	0	2	0	138	0	6	130	0	136	0	0	0	0	0	1	278	279
05:15 PM	1	4	0	0	5	150	0	1	0	151	0	4	134	0	138	0	0	0	0	0	0	294	294
05:30 PM	1	9	0	0	10	162	0	2	0	164	0	4	144	0	148	0	0	0	0	0	0	322	322
05:45 PM	3	1	0	2	4	139	0	2	0	141	0	1	134	0	135	0	0	0	0	0	2	280	282
<b>Total</b>	6	17	0	3	23	587	0	7	0	594	0	15	542	0	557	0	0	0	0	0	3	1174	1177
<b>Grand Total</b>	26	70	0	44	96	2269	0	43	3	2312	0	99	2477	18	2576	0	0	0	0	0	65	4984	5049
Apprch %	27.1	72.9	0			98.1	0	1.9			0	3.8	96.2			0	0	0					
Total %	0.5	1.4	0		1.9	45.5	0	0.9		46.4	0	2	49.7		51.7	0	0	0		0	1.3	98.7	

Start Time	RELIEZ STATION RD. Southbound				OLYMPIC BLVD. Westbound				RELIEZ STATION RD. Northbound				Eastbound				Int. Total
	Left	Thru	Right	App. Total	Left	Thru	Right	App. Total	Left	Thru	Right	App. Total	Left	Thru	Right	App. Total	
07:45 AM	2	9	0	11	172	0	7	179	0	24	189	213	0	0	0	0	403
08:00 AM	1	8	0	9	178	0	4	182	0	12	187	199	0	0	0	0	390
08:15 AM	1	9	0	10	153	0	1	154	0	12	201	213	0	0	0	0	377
08:30 AM	0	5	0	5	125	0	2	127	0	11	214	225	0	0	0	0	357
<b>Total Volume</b>	4	31	0	35	628	0	14	642	0	59	791	850	0	0	0	0	1527
<b>% App. Total</b>	11.4	88.6	0		97.8	0	2.2		0	6.9	93.1		0	0	0		

Peak Hour Analysis From 07:00 AM to 08:45 AM - Peak 1 of 1

Peak Hour for Entire Intersection Begins at 07:45 AM



Peak Hour Analysis From 04:00 PM to 05:45 PM - Peak 1 of 1

Peak Hour for Entire Intersection Begins at 04:00 PM

04:00 PM	<b>10</b>	<b>4</b>	0	<b>14</b>	149	0	<b>6</b>	155	0	2	140	142	0	0	0	0	311
04:15 PM	1	1	0	2	153	0	1	154	0	1	<b>179</b>	<b>180</b>	0	0	0	0	<b>336</b>
04:30 PM	1	2	0	3	138	0	2	140	0	<b>6</b>	124	130	0	0	0	0	273
04:45 PM	0	3	0	3	<b>158</b>	0	3	<b>161</b>	0	1	141	142	0	0	0	0	306
Total Volume	12	10	0	22	598	0	12	610	0	10	584	594	0	0	0	0	1226
% App. Total	54.5	45.5	0	98	98	0	2	98.3	0	1.7	98.3	0	0	0	0	0	
PHF	.300	.625	.000	.393	.946	.000	.500	.947	.000	.417	.816	.825	.000	.000	.000	.000	.912

# All Traffic Data

(916) 771-8700  
F (916) 786-2879

LAFAYETTE

File Name : 08-7280-025 RELIEZ-OLYMPIC-F  
Site Code : 00000000  
Start Date : 05/15/2008  
Page No : 3

