

# All Traffic Data

(916) 771-8700  
F (916) 786-2879

LAFAYETTE

File Name : 08-7280-018 MORAGA-ST MARYS-F  
Site Code : 00000000  
Start Date : 05/15/2008  
Page No : 1

**Groups Printed- Unshifted**

Start Time	MORAGA RD. Southbound					ST. MARY'S RD. Westbound					MORAGA RD. Northbound					HERMAN DR. Eastbound					Exclu. Total	Inclu. Total	Int. Total	
	Left	Thru	Right	Peds	App. Total	Left	Thru	Right	Peds	App. Total	Left	Thru	Right	Peds	App. Total	Left	Thru	Right	Peds	App. Total				
07:00 AM	22	112	0	0	134	2	0	86	0	88	0	122	3	0	125	0	0	0	0	0	0	0	347	347
07:15 AM	31	132	0	0	163	11	0	97	0	108	0	149	4	0	153	1	0	0	0	1	0	0	425	425
07:30 AM	32	149	0	0	181	39	0	99	0	138	0	166	4	0	170	2	0	0	0	2	0	0	491	491
07:45 AM	68	167	0	0	235	54	0	100	0	154	0	168	6	0	174	3	0	0	0	3	0	0	566	566
<b>Total</b>	153	560	0	0	713	106	0	382	0	488	0	605	17	0	622	6	0	0	0	6	0	0	1829	1829
08:00 AM	72	124	0	4	196	22	0	100	4	122	0	179	9	2	188	1	0	0	5	1	15	0	507	522
08:15 AM	63	133	2	0	198	8	0	79	6	87	0	177	9	1	186	2	0	0	5	2	12	0	473	485
08:30 AM	53	150	0	3	203	9	1	77	0	87	0	171	2	0	173	1	0	0	3	1	6	0	464	470
08:45 AM	53	130	0	0	183	4	0	73	0	77	1	173	10	0	184	0	2	1	0	3	0	0	447	447
<b>Total</b>	241	537	2	7	780	43	1	329	10	373	1	700	30	3	731	4	2	1	13	7	33	0	1891	1924

\*\*\* BREAK \*\*\*

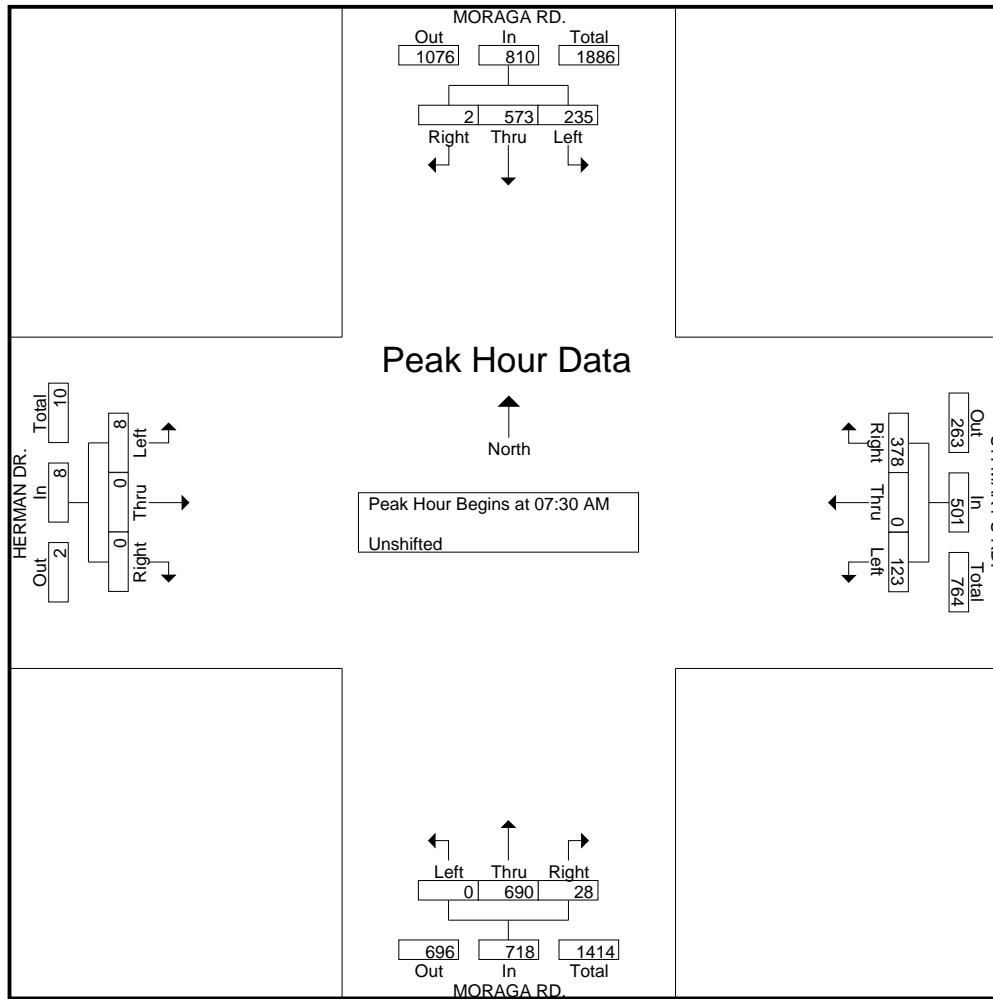
04:00 PM	82	163	0	0	245	6	0	58	0	64	1	142	1	1	144	1	0	0	1	1	2	0	454	456
04:15 PM	84	169	0	0	253	7	0	68	0	75	0	155	2	0	157	2	0	1	0	3	0	0	488	488
04:30 PM	85	176	0	0	261	4	0	65	0	69	0	158	3	0	161	1	0	0	0	1	0	0	492	492
04:45 PM	79	180	0	0	259	5	1	78	0	84	0	167	11	0	178	0	0	0	1	0	1	0	521	522
<b>Total</b>	330	688	0	0	1018	22	1	269	0	292	1	622	17	1	640	4	0	1	2	5	3	0	1955	1958
05:00 PM	95	171	0	0	266	5	0	81	0	86	1	166	6	0	173	1	1	0	0	2	0	0	527	527
05:15 PM	93	189	0	0	282	3	0	77	0	80	0	160	9	0	169	0	0	0	0	0	0	0	531	531
05:30 PM	100	182	1	0	283	0	0	73	0	73	0	157	7	0	164	0	0	0	0	0	0	0	520	520
05:45 PM	99	185	1	0	285	6	0	76	0	82	0	153	7	0	160	1	0	0	0	1	0	0	528	528
<b>Total</b>	387	727	2	0	1116	14	0	307	0	321	1	636	29	0	666	2	1	0	0	3	0	0	2106	2106
<b>Grand Total</b>	1111	2512	4	7	3627	185	2	1287	10	1474	3	2563	93	4	2659	16	3	2	15	21	36	0	7781	7817
Apprch %	30.6	69.3	0.1			12.6	0.1	87.3			0.1	96.4	3.5			76.2	14.3	9.5						
Total %	14.3	32.3	0.1		46.6	2.4	0	16.5		18.9	0	32.9	1.2		34.2	0.2	0	0		0.3	0.5		99.5	

Start Time	MORAGA RD. Southbound				ST. MARY'S RD. Westbound				MORAGA RD. Northbound				HERMAN DR. Eastbound				Int. Total
	Left	Thru	Right	App. Total	Left	Thru	Right	App. Total	Left	Thru	Right	App. Total	Left	Thru	Right	App. Total	

Peak Hour Analysis From 07:00 AM to 08:45 AM - Peak 1 of 1

Peak Hour for Entire Intersection Begins at 07:30 AM

07:30 AM	32	149	0	181	39	0	99	138	0	166	4	170	2	0	0	2	491
07:45 AM	68	<b>167</b>	0	<b>235</b>	<b>54</b>	0	<b>100</b>	<b>154</b>	0	168	6	174	<b>3</b>	0	0	<b>3</b>	<b>566</b>
08:00 AM	<b>72</b>	124	0	196	22	0	100	122	0	<b>179</b>	<b>9</b>	<b>188</b>	1	0	0	1	507
08:15 AM	63	133	<b>2</b>	198	8	0	79	87	0	177	9	186	2	0	0	2	473
<b>Total Volume</b>	235	573	2	810	123	0	378	501	0	690	28	718	8	0	0	8	2037
<b>% App. Total</b>	29	70.7	0.2		24.6	0	75.4		0	96.1	3.9		100	0	0		



Peak Hour Analysis From 04:00 PM to 05:45 PM - Peak 1 of 1

Peak Hour for Entire Intersection Begins at 05:00 PM

05:00 PM	95	171	0	266	5	0	<b>81</b>	<b>86</b>	<b>1</b>	<b>166</b>	6	<b>173</b>	<b>1</b>	<b>1</b>	0	<b>2</b>	527
05:15 PM	93	<b>189</b>	0	282	3	0	77	80	0	160	<b>9</b>	169	0	0	0	0	<b>531</b>
05:30 PM	<b>100</b>	182	<b>1</b>	283	0	0	73	73	0	157	7	164	0	0	0	0	520
05:45 PM	99	185	1	<b>285</b>	<b>6</b>	0	76	82	0	153	7	160	1	0	0	1	528
Total Volume	387	727	2	1116	14	0	307	321	1	636	29	666	2	1	0	3	2106
% App. Total	34.7	65.1	0.2		4.4	0	95.6		0.2	95.5	4.4		66.7	33.3	0		
PHF	.968	.962	.500	.979	.583	.000	.948	.933	.250	.958	.806	.962	.500	.250	.000	.375	.992

# All Traffic Data

(916) 771-8700  
F (916) 786-2879

LAFAYETTE

File Name : 08-7280-018 MORAGA-ST MARYS-F  
Site Code : 00000000  
Start Date : 05/15/2008  
Page No : 3

