

# All Traffic Data

(916) 771-8700  
F (916) 786-2879

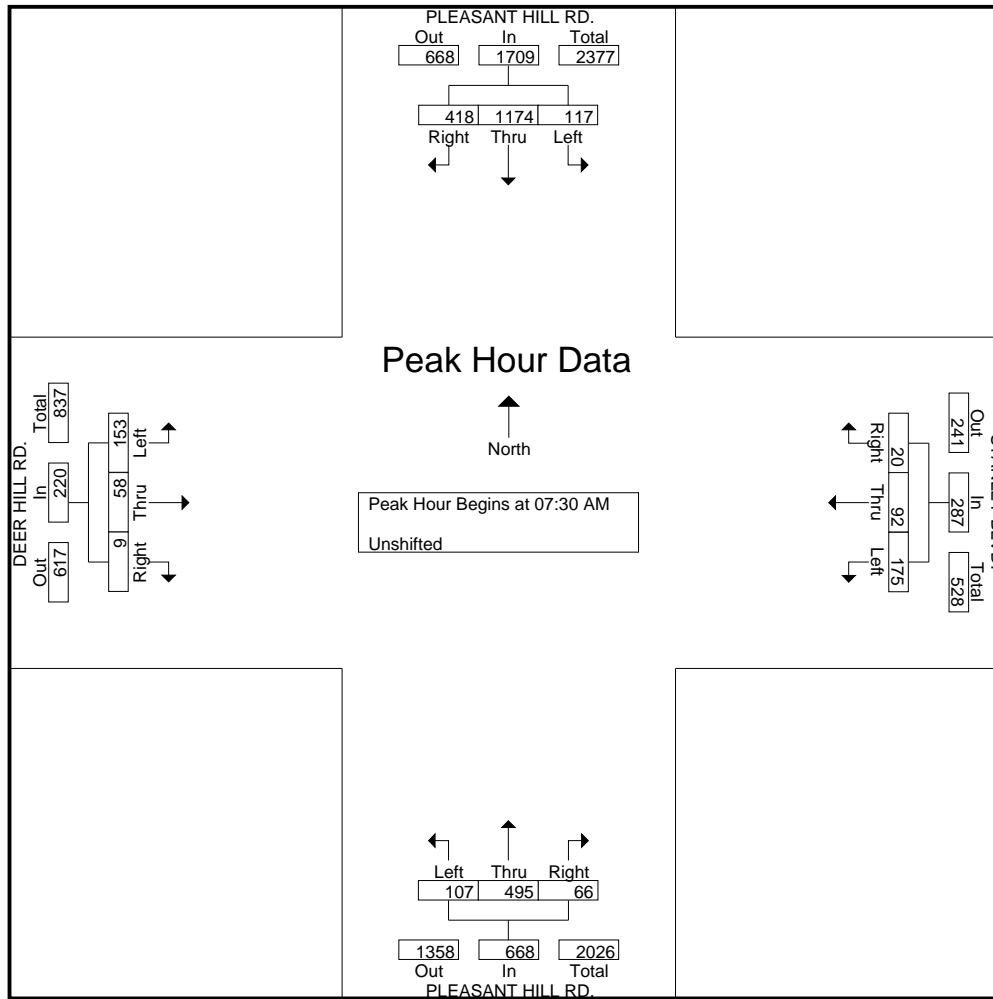
LAFAYETTE

File Name : 08-7280-006 PLEASANT HILL-DEER HILL-F  
Site Code : 00000000  
Start Date : 05/15/2008  
Page No : 1

### Groups Printed- Unshifted

Start Time	PLEASANT HILL RD. Southbound					STANLEY BLVD. Westbound					PLEASANT HILL RD. Northbound					DEER HILL RD. Eastbound					Exclu. Total	Inclu. Total	Int. Total
	Left	Thru	Right	Peds	App. Total	Left	Thru	Right	Peds	App. Total	Left	Thru	Right	Peds	App. Total	Left	Thru	Right	Peds	App. Total			
07:00 AM	10	312	76	0	398	18	13	4	0	35	8	57	7	0	72	16	3	2	0	21	0	526	526
07:15 AM	11	302	99	0	412	25	11	2	0	38	13	83	6	1	102	20	11	2	0	33	1	585	586
07:30 AM	48	274	98	0	420	54	17	2	0	73	25	125	29	5	179	33	23	1	0	57	5	729	734
07:45 AM	32	296	112	0	440	52	32	3	1	87	26	126	17	9	169	35	17	3	1	55	11	751	762
<b>Total</b>	101	1184	385	0	1670	149	73	11	1	233	72	391	59	15	522	104	54	8	1	166	17	2591	2608
08:00 AM	12	316	121	0	449	43	29	5	4	77	26	122	11	13	159	42	6	1	0	49	17	734	751
08:15 AM	25	288	87	0	400	26	14	10	0	50	30	122	9	4	161	43	12	4	2	59	6	670	676
08:30 AM	35	272	80	0	387	28	15	2	2	45	35	108	13	0	156	26	10	11	0	47	2	635	637
08:45 AM	16	251	75	0	342	22	10	2	0	34	25	110	13	0	148	43	11	8	0	62	0	586	586
<b>Total</b>	88	1127	363	0	1578	119	68	19	6	206	116	462	46	17	624	154	39	24	2	217	25	2625	2650
*** BREAK ***																							
04:00 PM	8	126	27	0	161	30	31	11	0	72	13	297	25	0	335	91	21	1	0	113	0	681	681
04:15 PM	18	159	26	2	203	40	13	9	0	62	11	306	41	0	358	101	21	13	0	135	2	758	760
04:30 PM	29	127	22	0	178	30	16	5	0	51	9	290	36	0	335	97	20	4	0	121	0	685	685
04:45 PM	14	126	20	0	160	26	14	11	2	51	11	342	24	0	377	116	16	3	0	135	2	723	725
<b>Total</b>	69	538	95	2	702	126	74	36	2	236	44	1235	126	0	1405	405	78	21	0	504	4	2847	2851
05:00 PM	16	144	17	0	177	37	16	27	0	80	4	295	30	0	329	113	20	8	0	141	0	727	727
05:15 PM	16	167	31	0	214	26	26	24	3	76	5	303	35	0	343	133	24	2	0	159	3	792	795
05:30 PM	19	162	26	0	207	29	24	31	1	84	7	319	41	0	367	135	25	5	0	165	1	823	824
05:45 PM	23	168	18	0	209	36	31	38	0	105	3	332	49	1	384	111	20	7	1	138	2	836	838
<b>Total</b>	74	641	92	0	807	128	97	120	4	345	19	1249	155	1	1423	492	89	22	1	603	6	3178	3184
Grand Total	332	3490	935	2	4757	522	312	186	13	1020	251	3337	386	33	3974	1155	260	75	4	1490	52	11241	11293
Apprch %	7	73.4	19.7			51.2	30.6	18.2			6.3	84	9.7			77.5	17.4	5					
Total %	3	31	8.3		42.3	4.6	2.8	1.7		9.1	2.2	29.7	3.4		35.4	10.3	2.3	0.7		13.3	0.5	99.5	

Start Time	PLEASANT HILL RD. Southbound				STANLEY BLVD. Westbound				PLEASANT HILL RD. Northbound				DEER HILL RD. Eastbound				Int. Total
	Left	Thru	Right	App. Total	Left	Thru	Right	App. Total	Left	Thru	Right	App. Total	Left	Thru	Right	App. Total	
Peak Hour Analysis From 07:00 AM to 08:45 AM - Peak 1 of 1																	
Peak Hour for Entire Intersection Begins at 07:30 AM																	
07:30 AM	<b>48</b>	274	98	420	<b>54</b>	17	2	73	25	125	<b>29</b>	<b>179</b>	33	<b>23</b>	1	57	729
07:45 AM	32	296	112	440	52	<b>32</b>	3	<b>87</b>	26	<b>126</b>	17	169	35	17	3	55	<b>751</b>
08:00 AM	12	<b>316</b>	<b>121</b>	<b>449</b>	43	29	5	77	26	122	11	159	42	6	1	49	734
08:15 AM	25	288	87	400	26	14	<b>10</b>	50	<b>30</b>	122	9	161	<b>43</b>	12	<b>4</b>	<b>59</b>	670
Total Volume	117	1174	418	1709	175	92	20	287	107	495	66	668	153	58	9	220	2884
% App. Total	6.8	68.7	24.5		61	32.1	7		16	74.1	9.9		69.5	26.4	4.1		



Peak Hour Analysis From 04:00 PM to 05:45 PM - Peak 1 of 1

Peak Hour for Entire Intersection Begins at 05:00 PM

05:00 PM	16	144	17	177	37	16	27	80	4	295	30	329	113	20	8	141	727
05:15 PM	16	167	31	214	26	26	24	76	5	303	35	343	133	24	2	159	792
05:30 PM	19	162	26	207	29	24	31	84	7	319	41	367	135	25	5	165	823
05:45 PM	23	168	18	209	36	31	38	105	3	332	49	384	111	20	7	138	836
Total Volume	74	641	92	807	128	97	120	345	19	1249	155	1423	492	89	22	603	3178
% App. Total	9.2	79.4	11.4		37.1	28.1	34.8		1.3	87.8	10.9		81.6	14.8	3.6		
PHF	.804	.954	.742	.943	.865	.782	.789	.821	.679	.941	.791	.926	.911	.890	.688	.914	.950

# All Traffic Data

(916) 771-8700  
F (916) 786-2879

LAFAYETTE

File Name : 08-7280-006 PLEASANT HILL-DEER HILL-F  
Site Code : 00000000  
Start Date : 05/15/2008  
Page No : 3

